

INSTALLATION INSTRUCTIONS FOR HUNTER CEILING FANS USING INSTALLER'S CHOICE MOUNTINGS

READ AND SAVE THESE INSTRUCTIONS

CAUTION:

1. Read entire instructions carefully before beginning installation.
2. To avoid possible electrical shock, be certain electricity is shut off at main panel before wiring.
3. All wiring must be in accordance with national and local electrical codes. If you are unfamiliar with wiring, you should use a qualified electrician.
4. To reduce the risk of personal injury, install the fan only to the building structure according to these instructions, and use only the hardware supplied.

WARNING!

1. To reduce the risk of fire or electrical shock, do not use a solid state speed control with this fan. Use Hunter controls only.
2. To reduce the risk of personal injury, do not bend the blade brackets when installing the brackets, balancing the blades or cleaning the fan. Do not insert foreign objects in between rotating fan blades.

Step 1: Pre-Installation Instructions

A. Select installation site. Check to make sure that in normal use no objects can come in contact with the rotating fan blades. The mounting site should also meet the precautions listed in Step 3 below.

B. Installation hardware is included for a standard drywall or plaster ceiling. You will need a 4" x 1½" or 4" x ½" outlet box and wire nuts (2) which can be purchased from any hardware store or electrical supply house.

C. The fan blades must be mounted at least 7' above the floor. For maximum efficiency, they should not have any obstruction (walls, posts, etc.) within 24" of the blade tips. See Figure 1 for mounting distances.

Step 2: Inspection of Fan

A. Unpack unit carefully to avoid any damage to the components.

B. Check for any shipping damage to the motor and the fan blades. If more than one fan is being installed, keep the matched and balanced fan blades in sets, as they were shipped. Should one of the fan blades become damaged during shipment, return all blades in the set for replacement.

C. Check contents to be certain it contains a bag of parts.

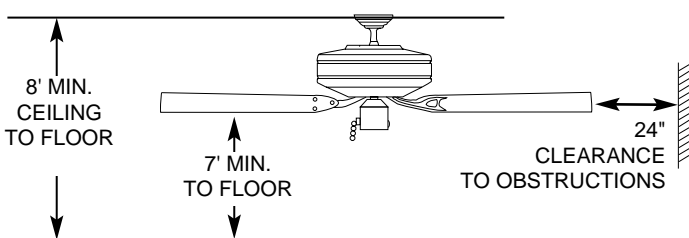


FIGURE 1

Step 3: Installation of Outlet Box and Rough-In Wiring

CAUTION: Your Hunter ceiling fan with accessories can weigh up to 35 lbs. The following precautions must be taken for safety and to ensure that your fan is securely mounted to the ceiling.

- Be certain electricity is "OFF" at the fuse panel when inspecting or repairing installation site.
- All wiring must meet local and national electrical codes.
- Do not mount directly to an unsupported ceiling or to an electrical outlet box. Mounting must support a 35 lb. fan with accessories.

A. Secure a metallic outlet box 4" x 1½" octagon or 4" x ½" deep round box to 2 x 4 cross brace between two ceiling joists as shown in Figure 2. The outlet box must be recessed in the ceiling by ¼" minimum. Secure the outlet box to the cross brace by drilling (2) pilot holes no larger than the minor diameter of the woodscrews (5/64") and use two #8 x 1½" woodscrews and washers. Use the innermost holes for securing the box. Orient the box so the outermost holes are aligned with the 2 x 4 brace. The outermost holes will be used in Step 4B.

CAUTION: Do not use a lubricant on screws.

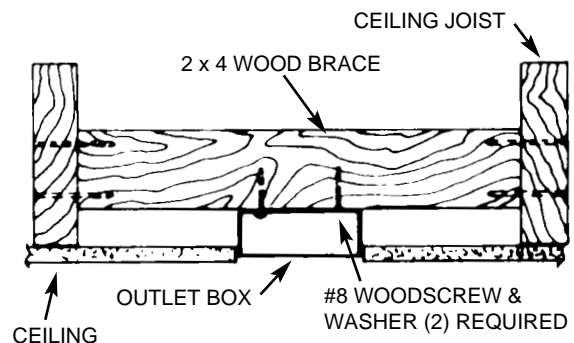


FIGURE 2

B. Bring electrical cable into the outlet box and attach with an approved connector. Make certain that wiring meets all national and local electrical codes. Wire leads should extend at least 6" beyond outlet box for ease in making connections. See Figure 3.

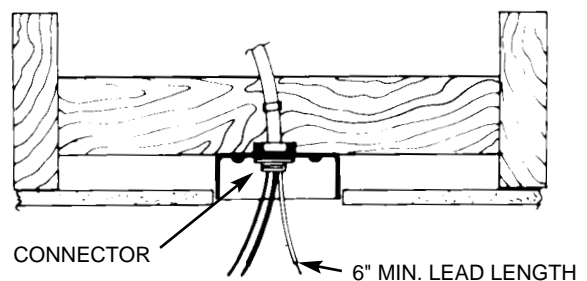


FIGURE 3

Step 4: Installation of Ceiling Plate

A. Install the (3) rubber bushings into the top of the ceiling plate by inserting small side of the bushing into the three holes in the ceiling plate. See Figure 4A.

NOTE: When attaching ceiling plate to the outlet box support, make certain bushings remain in place.

NOTE: Tighten the ceiling plate mounting screws only enough to provide slight compression of the bushings. Do not over-tighten.

B. Thread the lead wires through the opening in the ceiling plate and install the ceiling plate to the 2 x 4 brace which supports the outlet box. Use (2) #10 woodscrews 3" long and (2) flatwashers for mounting. Drill (2) pilot holes for the mounting screws $\frac{3}{64}$ " diameter. See Figure 4B.

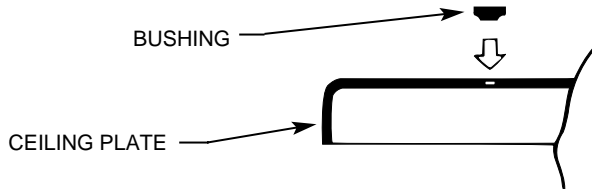


FIGURE 4A

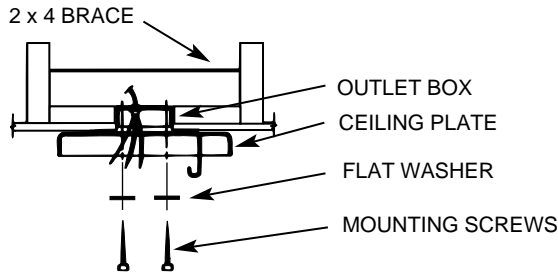


FIGURE 4B

Step 5: Assembly and Hanging of Fan

CAUTION: Do not lift motor by wires.

A. Assemble the fan housing to the motor hanger adaptor. See Figures 5 and 5A.

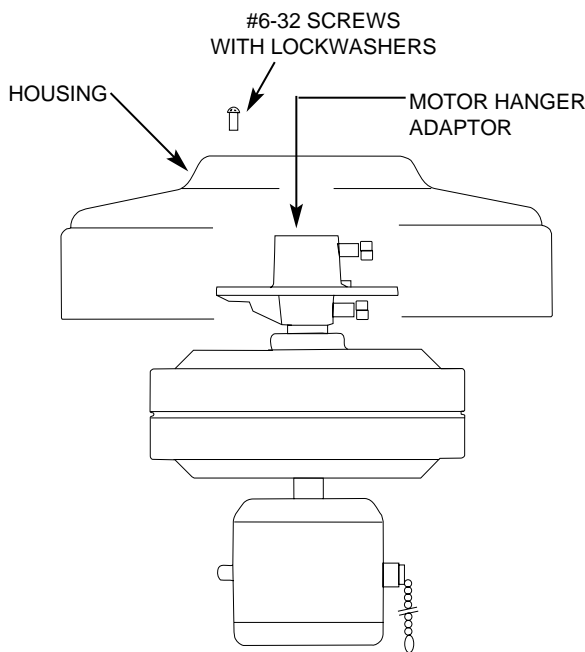
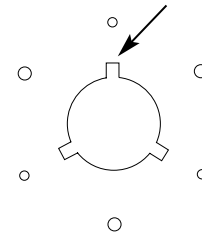


FIGURE 5

NOTCH IN TOP OF FAN HOUSING



ASSEMBLY SCREW LOCATION (1)
(3) PLACES

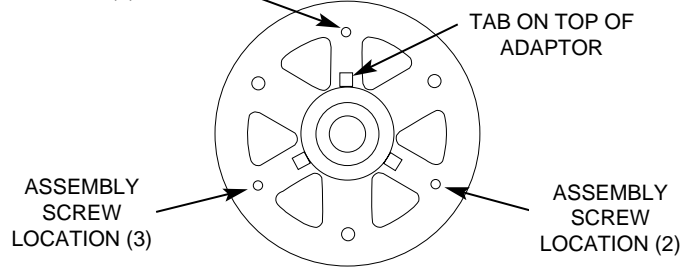


FIGURE 5A

Top view of housing and motor hanger adaptor showing parts alignment and assembly screws locations.

B. Before attaching the housing to the motor adaptor, first align the (3) notches in the top of the cover with the (3) matching tabs on the adaptor.

Place the housing onto the adaptor making sure the tabs on the adaptor fit into the notches in the housing. The housing should sit flat on the adaptor.

Assemble the housing to the adaptor using (3) #6-32 screws and lockwashers furnished in the sack parts. Make sure you use the (3) screw locations located above. Tighten the screws.

C. Assemble bottom cover to fan housing using (3) #6-32 screws and lockwashers supplied in sack parts. Make certain screws are tight (see Figure 5B).

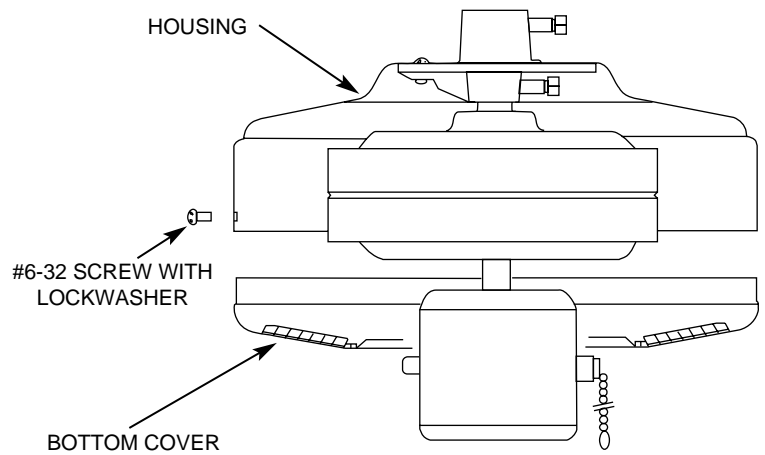


FIGURE 5B

NOTE: Assembly Methods for Installer's Choice Hanging System

Your new Hunter fan can be hung in (2) different manners, one being as a low profile fan and also as a ball type hanging fan. Thus, installer's choice. Customer should read Steps 6 through 8 and decide which style of mounting to use.

Step 6: Fan Assembly Low Profile Fan

A. The canopy has (4) holes in the bottom. The large center hole fits over the adaptor on top of the fan. The (3) remaining holes are for the canopy assembly screws.

Place the canopy on top of the fan and align the proper holes.

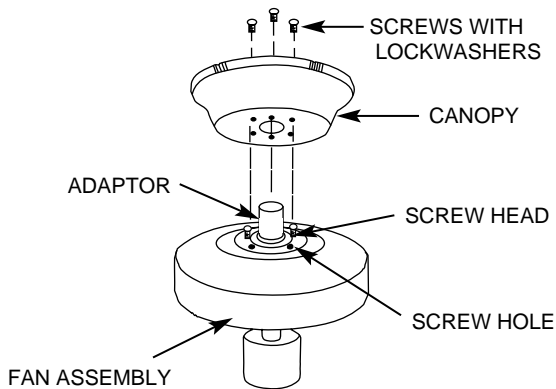


FIGURE 6

See Figure 6. Make certain you have located the hole pattern by checking to see that the canopy sits flat on top of the fan without a space between the bottom of the canopy and the top of the fan. If a space is present, rotate the canopy slightly, eliminating the space.

B. Next, secure the canopy to the top of the fan using (3) #10-32 screws with lockwashers packaged with the fan. Make certain the screws are tight. Failure to do so could result in the fan falling.

CAUTION: To ensure proper engagement of the canopy assembly screws, the canopy must fit snug against the top of the fan.

CAUTION: Do not lift motor by wires.

C. Being careful not to scratch the canopy finish, hang the fan from the hook in the ceiling plate using one of the (2) slots in the canopy. See Figure 6A.

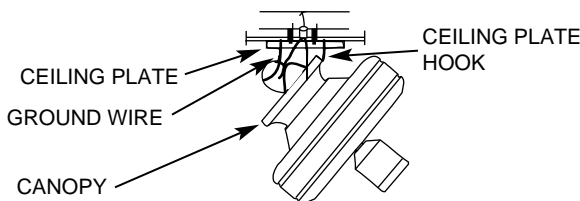


FIGURE 6A

Hanging Fan

CAUTION: Do not lift motor by wires.

A. Insert pipe nipple through canopy and feed wires from top of motor through pipe nipple. Screw pipe nipple into fan until tight (at least 4½ turns). The setscrew locking the pipe nipple to motor must be tightened very securely. See Figure 6B. Failure to tighten screw could result in fan falling.

CAUTION: The pipe nipple has a special coating on the threads. Do not remove. The coating is to help prevent the nipple from unscrewing.

B. Being careful not to scratch the canopy finish, hang the fan from the hook in the ceiling plate using one of the (2) slots in the canopy. See Figure 6A.

NOTE: For mounting fan on vaulted ceiling, there are (2) sets of holes on the side. Locking tab in side must be in up position. Use set of holes in ceiling plate that assures locking tab in canopy is in the up position.

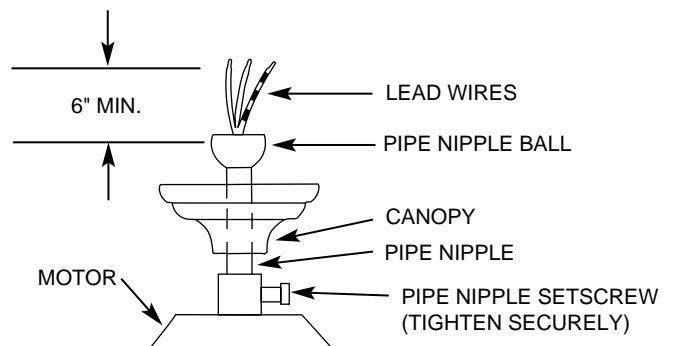


FIGURE 6B

Step 7: Final Wiring

A. Connect electrical supply leads to the leads from motor, using approved connectors. Connect black electrical supply lead to the black motor lead and the black with white stripe motor lead (see Note). Connect the white electrical supply lead to the white motor lead. Connect the ground wire to the green leads from the motor and ceiling plate. See Figure 7.

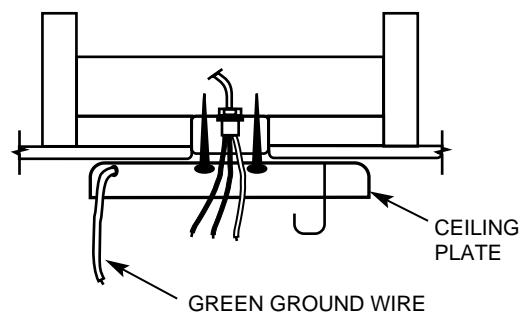


FIGURE 7

NOTE: If a separate wall switch will be used to control a lighting accessory, connect the black wire with white stripe to the wall switch lead. The wall switch must be acceptable for use as a general-use switch.

CAUTION: No bare wire or wire strands should be visible after making connections.

B. After making the wire connections, the wires should be spread apart with the white and green wires on one side of the outlet box, and the black and black/white wires on the other side of the box.

The splices should be turned upward and pushed carefully up into the outlet box.

Step 8: Finish Fan Assembly

A. The ceiling plate has (3) mounting screw holes located on the side. Install (2) #10-32 x 1/2" Phillips round head screws halfway into two of these holes. See Figure 8.

Remove the fan from the ceiling plate hook. Make sure not to break any wire connections. The canopy has (2) mating slots and (1) mating hole. See Figure 8.

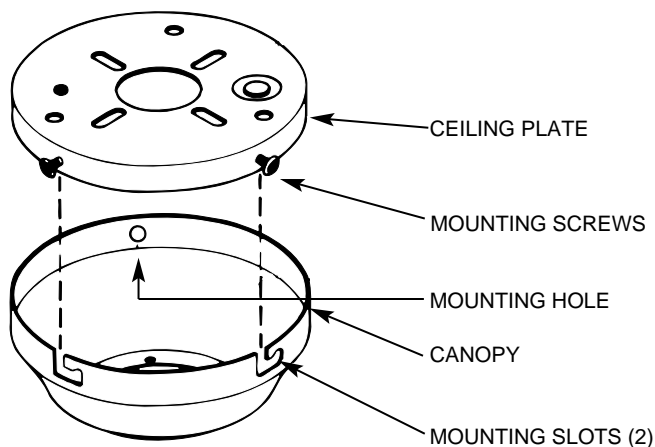


FIGURE 8

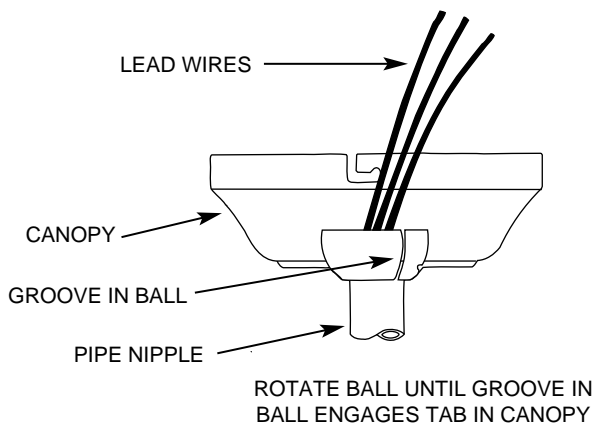


FIGURE 8A

B. Position (2) slots in canopy directly under and in line with (2) mounting screws in ceiling plate. Lift fan until ceiling plate mounting screws are seated in bottom of slots in canopy. Rotate fan counterclockwise until both mounting screws drop into slot recesses. Tighten screws securely. Install third screw into mounting hole.

CAUTION: Failure to securely assemble the canopy screws could result in the fan falling.

NOTE: For the hanging fan configuration, rotate fan until groove in ball is positioned over tab in canopy. **Make certain groove and tab are engaged before running fan.** See Figure 8A. Failure to do this could result in the fan falling.

Step 9: Fan Blade Assembly, Installation and Balancing

A. Attach wood blades to blade brackets using three screws for each blade. See Figure 9. If your blades have large holes, you must first insert the rubber grommets into the holes. See Figure 9A.

NOTE: Grommets are usually assembled by hand. If you use a tool, make certain you do not damage the grommet or blade when inserting the grommets.

Next assemble the blade to the blade bracket. Make sure all screws are tight to prevent vibration or wobbling. A cavity in the styrofoam packaging has been provided to nest the parts in during assembly to assure correct alignment of parts.

Even when the screws are tight, the blades may seem to be loose. This is normal when using grommets and will not be a problem.

B. Remove the screws from the motor hub. Insert a mounting screw (provided) in hole in blade bracket. Use a screwdriver to hold in place. Align blade holes with mounting holes in hub by turning screw and readjusting blade bracket until screw mates with threaded hole in hub. Do not tighten until both screws have been put in blade bracket. Repeat for all blades. See Figure 10.

C. A blade balancing kit has been provided with your fan. Should the fan wobble in operation, you may use this kit to correct the balance per the instructions supplied with the kit.

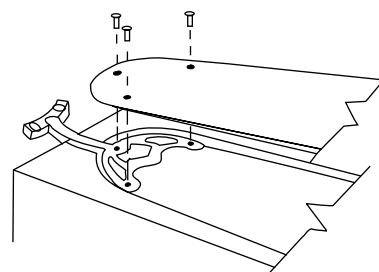


FIGURE 9

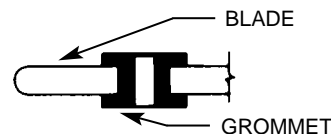


FIGURE 9A

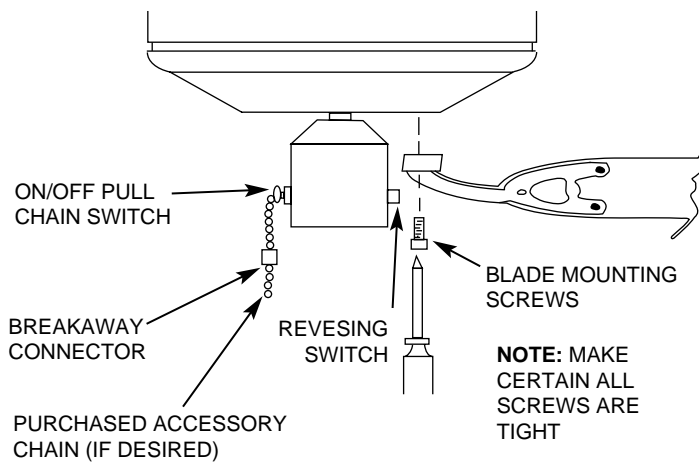


FIGURE 10

Step 10: Light Kit Installation

If you have a light kit for use with the fan, install the light kit in accordance with the instructions supplied with the kit.

Step 11: Operation of Fan

A. Turn electrical service on at main panel.

B. Switch operates in this sequence: “High,” “Medium,” “Low,” “Off.” Pull chain slowly to operate. Also, release the chain slowly so as to prevent chain from flying up into blades, possibly resulting in damage to blades or pull chain. The break-away connector is designed to separate from the chain at a pre-determined force. If this separation occurs, simply reinsert the connector. It can be reused again and again. See Figure 10.

C. Motor is electrically reversible. When first operating fan, determine direction of air flow. If you wish to change direction, switch fan off and allow to stop. Slide reversing switch to the opposite position and switch fan back on. See Figure 10.

Speed Control

As an option, a wall mounted speed control switch is available from your Hunter dealer.

TROUBLESHOOTING GUIDE

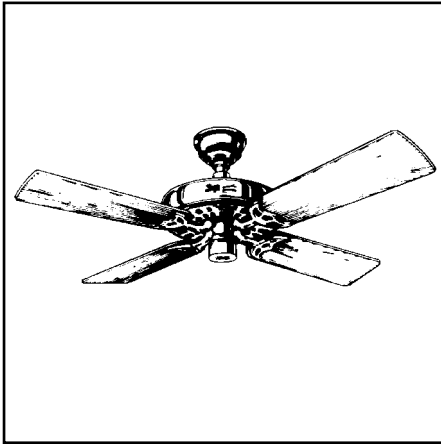
1. Nothing happens; fan does not move.*	1. Power turned off or fuse blown. 2. Loose wire connections or wrong connections. 3. Motor reversing switch not engaged. 4. Pull chain switch not “on”.	1. Turn power on or replace fuse. 2. Loosen canopy. Check all connections. (Turn power off while checking.) 3. Push switch firmly to one side or the other. 4. Pull switch chain.
---	---	--

**NOTE: If blades will not turn by hand, contact your nearest service representative.*

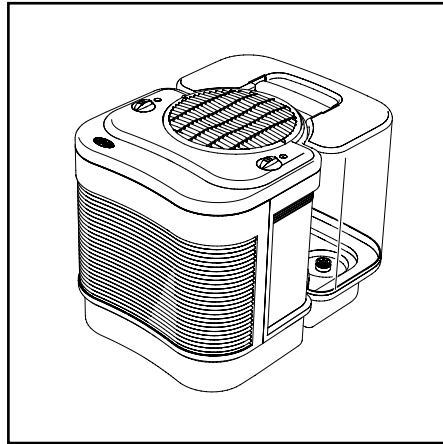
2. Noisy operation.	1. Blade brackets loosely screwed to motor. 2. Blade screwed loosely to blade bracket. 3. Blade cracked. 4. Non-approved speed control being used.	1. Tighten screws until snug. 2. Tighten screws. 3. Replace all blades. 4. Change to approved speed control.
3. Excessive wobbling.	1. Unbalanced blades. 2. Fan too close to vaulted ceiling. 3. Loose blades or blade brackets. 4. Fan not secure on hanger assembly.	1. Use balancing kit. (See Step 9C.) 2. Lower or move fan. 3. Tighten all screws. 4. Turn power off, support fan very carefully, loosen canopy and hang correctly.

When switching from medium to low speed, you may notice some fan wobble. When fan speed stabilizes at low speed, wobble will disappear. If you have checked the above problems and still have trouble, call (901) 248-2222.

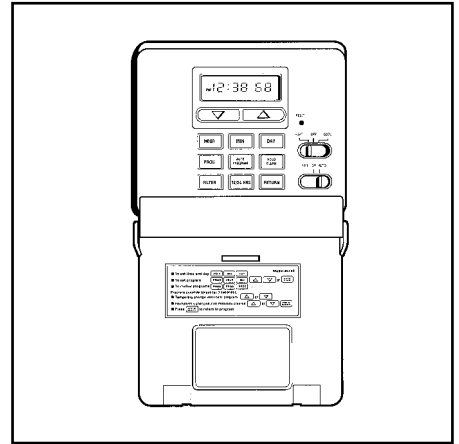
Other Home Comfort Products from Hunter



Hunter Original®



The Care-Free
Humidifier™



Programmable
Thermostats