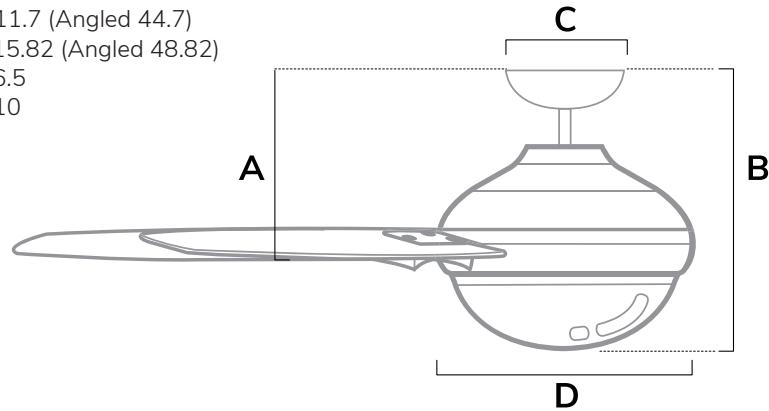




DIMENSIONS

Measured in inches

- A. 11.7 (Angled 44.7)
- B. 15.82 (Angled 48.82)
- C. 6.5
- D. 10



50718 | Matte Nickel with Matte Nickel blades

ADDITIONAL FINISHES



52618  
Matte Black Body with Matte Black blades



50717  
Matte White with Matte White blades

FAN SPECIFICATIONS

Motor Type	Reversible	Wire Length	Control Type	Downrod	Location	Blade #	Add'l Sizes
DC	YES	32" (24" Downrod)	Wall Control	3 Included	Damp	10	60"

AIRFLOW AND LIGHT SPECIFICATIONS

AVG Airflow	Airflow Efficiency	CFM High	Voltage	Bulbs Included	Output Per Bulb	Watts Per Bulb	Bulb Type	Base Type	LED Light Kit	CRI	CCT (Kelvins)	Dimmable
8162	282	12048	120v/60Hz	2	800	9W	LED	E26	Yes	80	3,000	YES



Save Money.  
Save Energy.



Higher Air Velocity



EcoWhisper™  
DC Motor



Damp Rated



Wall Control



99779 Accessory  
Wire Kit



Intertek



# COOL COMFORT. LOWER BILLS.



## LOWER YOUR ENERGY BILL WITHOUT COMPROMISING YOUR COMFORT.

Hunter's ENERGY STAR® certified ceiling fans use 64% less energy than conventional fans.\* Helping you stay cool while saving on energy costs.

\*Comparing minimum efficiency standards for ENERGY STAR certified fans to non-Energy-certified fans.



# FASTER COOLING POWER<sup>®</sup>



**33%**  
MORE AIR  
VELOCITY  
THAN LEADING COMPETITORS\*

FEEL COOLER, INSTANTLY.



Precision Blades.  
Aerodynamic design,  
uniflow airflow.



Light Powerful Motor.  
Whisper-quiet,  
energy efficient.



Faster Air. Cooler You.  
Powerful airflow with  
instant AHHHHH...

\*Based on testing conducted January 2023 comparing the average high-speed airflow velocity of Hunter SureSpeed ceiling fans and the best-selling online models for leading competitors.