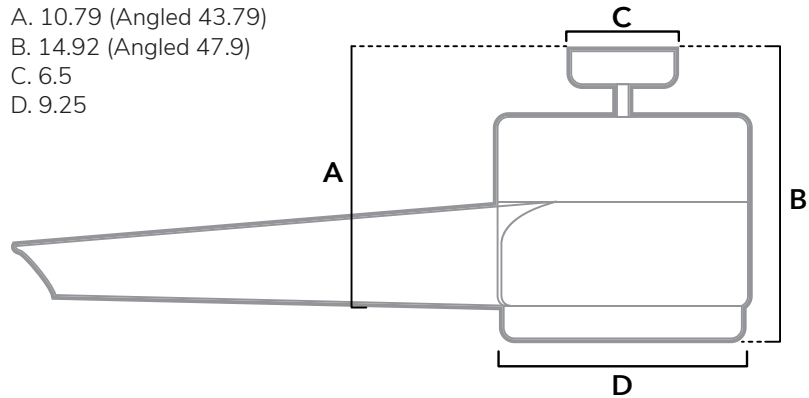




DIMENSIONS

Measured in inches

- A. 10.79 (Angled 43.79)
- B. 14.92 (Angled 47.9)
- C. 6.5
- D. 9.25



59629 | Matte Silver Body with Matte Silver blades

ADDITIONAL FINISHES



59628
Matte Black Body with Matte Black blades



51477
Fresh White with Fresh White blades

FAN SPECIFICATIONS

Motor Type	Reversible	Wire Length	Control Type	Downrod	Location	Blade #	Add'l Sizes
DC	YES	32" (24" Downrod)	Wall Control	3 Included	Damp	6	60"

AIRFLOW AND LIGHT SPECIFICATIONS

AVG Airflow	Airflow Efficiency	CFM High	Voltage	Bulbs Included	Output Per Bulb	Watts Per Bulb	Bulb Type	Base Type	LED Light Kit	CRI	CCT (Kelvins)	Dimmable
6217	253	9018	120v/60Hz	1	2000	24W	LED	LED	Yes	90	3,000	YES



Save Money. Save Energy.



Higher Air Velocity



EcoWhisper™ DC Motor



Damp Rated



Wall Control



99779 Accessory Wire Kit



LIMITED LIFETIME MOTOR WARRANTY



Intertek



COOL COMFORT. LOWER BILLS.



LOWER YOUR ENERGY BILL WITHOUT COMPROMISING YOUR COMFORT.

Hunter's ENERGY STAR® certified ceiling fans use 64% less energy than conventional fans.* Helping you stay cool while saving on energy costs.

*Comparing minimum efficiency standards for ENERGY STAR certified fans to non-Energy-certified fans.



FASTER COOLING POWER[®]



33%
MORE AIR
VELOCITY
THAN LEADING COMPETITORS*

FEEL COOLER, INSTANTLY.



Precision Blades.
Aerodynamic design,
uniflow airflow.



Light Powerful Motor.
Whisper-quiet,
energy efficient.



Faster Air. Cooler You.
Powerful airflow with
instant AHHHHH...

*Based on testing conducted January 2023 comparing the average high-speed airflow velocity of Hunter SureSpeed ceiling fans and the best-selling online models for leading competitors.