



**Models**  
**59090**  
**59092**  
**59093**  
**59094**



English

## Owner's Guide and Installation Manual

# Stealth

## Limited Lifetime Warranty

Casablanca Fan Company grants this limited warranty to the original purchaser of this Casablanca ceiling fan. This document can be found online at [www.CasablancaFanCo.com](http://www.CasablancaFanCo.com). Thank you for choosing Casablanca!

### HOW CAN WARRANTY SERVICE BE OBTAINED?

**Proof of purchase is required** when requesting warranty service. The original purchaser must present a sales receipt or other document that establishes proof of purchase. Casablanca, at its sole discretion, may accept a gift receipt. To obtain service, contact Casablanca Fan Company online or by phone.

[www.CasablancaFanCo.com/Support/Contact-Us/](http://www.CasablancaFanCo.com/Support/Contact-Us/)  
1-888-227-2178

Please do not ship your fan or any fan parts to Casablanca. Delivery will be refused.

### WHAT DOES THIS WARRANTY COVER?

#### Motor - Limited Lifetime Warranty

If any part of your ceiling fan motor fails during your ownership of the fan due to a defect in material or workmanship, as determined solely by Casablanca, Casablanca will provide a replacement motor or a replacement fan of equal value solely at its own choosing.\* The foregoing limited warranty applies only to the motor itself and does not apply to electronic controls - such as remote control transmitters, remote control receivers, or capacitors - used in conjunction with the motor. Such electronic control items are included in the one-year limited warranty below.

#### Other - One-Year Limited Warranty

Except as otherwise indicated throughout this warranty, if any part of your Casablanca ceiling fan fails at any time within one year of the date of purchase due to a defect in material or workmanship, as determined solely by Casablanca, Casablanca will provide a replacement part free of charge.\*

#### Light Kits - Warranty May Vary

Light kits are included in the one-year limited warranty. However, you may qualify for additional warranty coverage if your fan includes the following:

- LED Light Kit Modules - Five-Year Limited Warranty

If your LED light kit module (not including glass components) fails at any time within five years of the date of purchase due to a defect in material or workmanship, as determined solely by Casablanca, Casablanca will provide a replacement part free of charge.\*

\* If no replacement product/part can be provided for your fan, we will provide a comparable or superior replacement product/part at the sole discretion of Casablanca.

[www.CasablancaFanCo.com](http://www.CasablancaFanCo.com)

For assistance call 1-888-227-2178

DO NOT RETURN THIS ITEM

TO THE STORE!

If parts are missing,

Where Purchased

Date Purchased

Model Number

**IMPORTANT!**

should you ever need to contact

customer service.

The information below will make

**Read and Save These Instructions**

81.2.227.888.1

### WHAT DOES THIS WARRANTY NOT COVER?

Labor Excluded. This warranty does not cover any costs or fees associated with the labor (including electrician's fees) required to install, remove, or replace a fan or any fan parts.

There is no warranty for light bulbs; remote control batteries; fans purchased or installed outside the United States; fans owned by someone other than the original purchaser; fans for which proof of purchase has not been established; fans purchased from an unauthorized dealer; ordinary wear and tear; minor cosmetic blemishes; refurbished fans; and fans that are damaged due to any of the following: improper installation, misuse, abuse, improper care, failure to follow Casablanca instructions, accidental damage caused by the fan owner or related parties, modifications to the fan, improper or incorrectly performed maintenance or repair, improper voltage supply or power surge, use of improper parts or accessories, failure to provide maintenance to the fan, or acts of God (e.g. flood).

ORIGINAL PURCHASER'S SOLE AND EXCLUSIVE REMEDY FOR A CLAIM OF ANY KIND WITH RESPECT TO THIS PRODUCT SHALL BE THE REMEDIES SET FORTH HEREIN. CASABLANCA FAN COMPANY IS NOT RESPONSIBLE FOR CONSEQUENTIAL OR INCIDENTAL DAMAGES, DUE TO PRODUCT FAILURE, WHETHER ARISING OUT OF BREACH OF WARRANTY, BREACH OF CONTRACT OR OTHERWISE. Some States do not allow the exclusion or limitation of incidental or consequential damages, so the above limitation or exclusion may not apply to you.

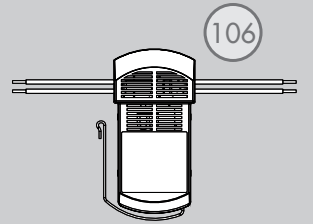
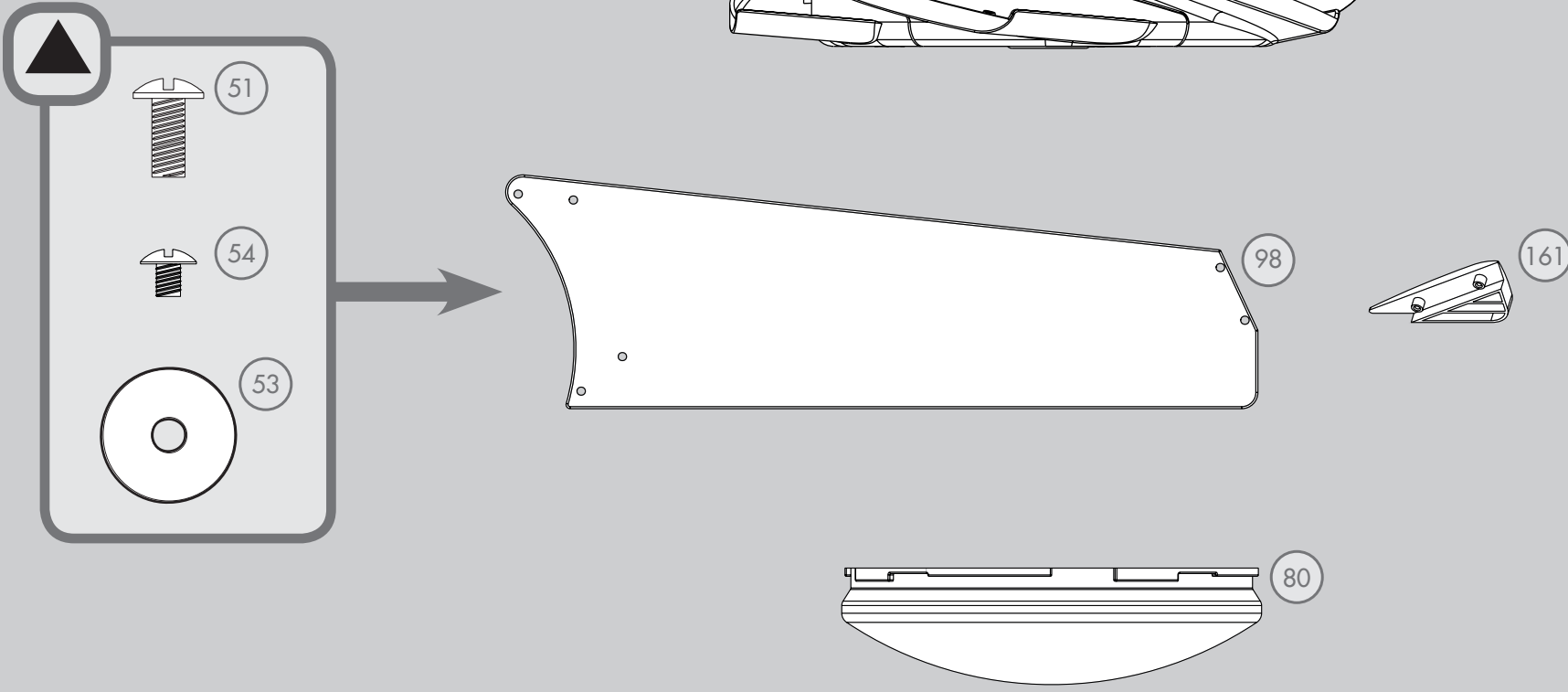
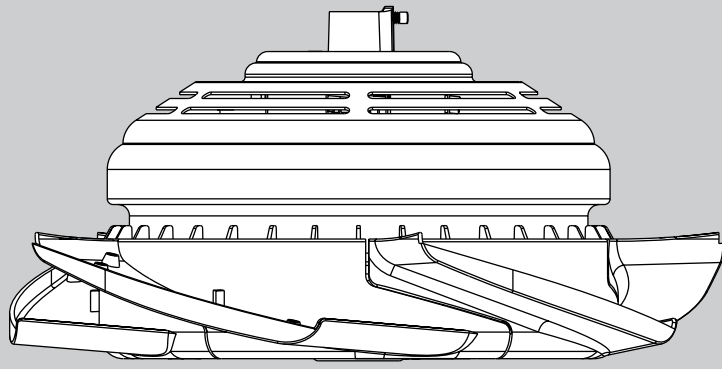
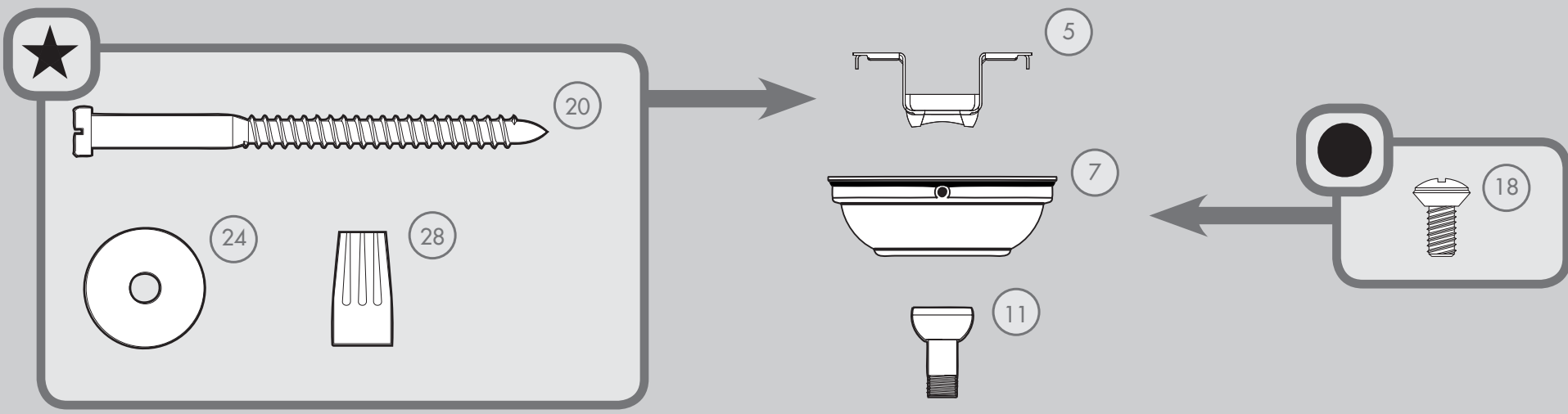
ANY IMPLIED WARRANTIES OF MERCHANTABILITY OR FITNESS FOR A PARTICULAR PURPOSE APPLICABLE TO THIS PRODUCT ARE LIMITED IN DURATION TO THE PERIOD OF COVERAGE OF THE APPLICABLE LIMITED WARRANTIES SET FORTH ABOVE. Some States do not allow limitations on how long an implied warranty lasts, so the above limitation may not apply to you.

### HOW DOES STATE LAW AFFECT WARRANTY COVERAGE?

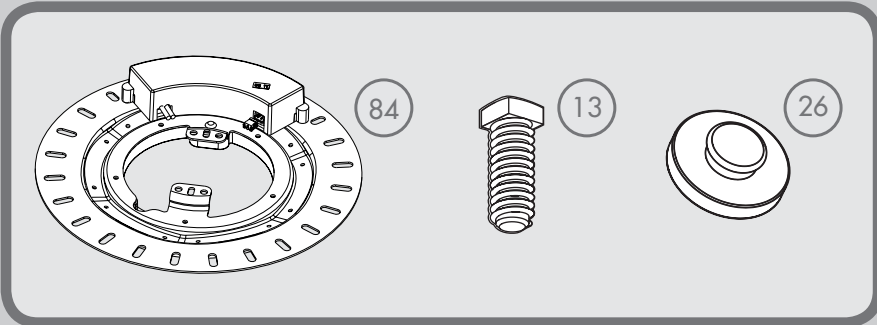
This warranty gives you specific legal rights. You may also have other rights which vary from state to state.

### 120-DAY CASABLANCA IN-HOME SERVICE WARRANTY

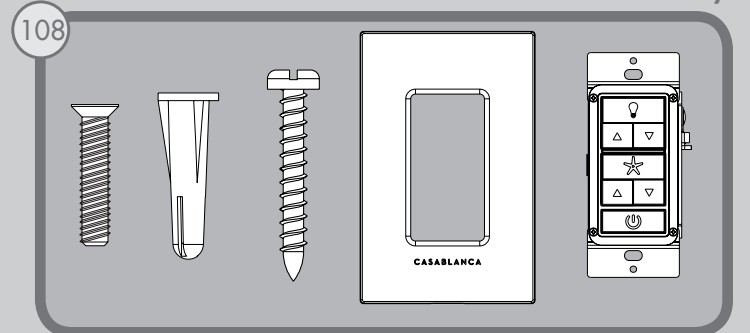
Within the first 120 days of purchase, Casablanca, where available, will provide for a service representative to repair or replace the parts or parts deemed to be defective from the factory. Proof of purchase must be submitted with each warranty claim at the time of service. Where service is unavailable, a replacement product of comparable value will be provided at no cost.



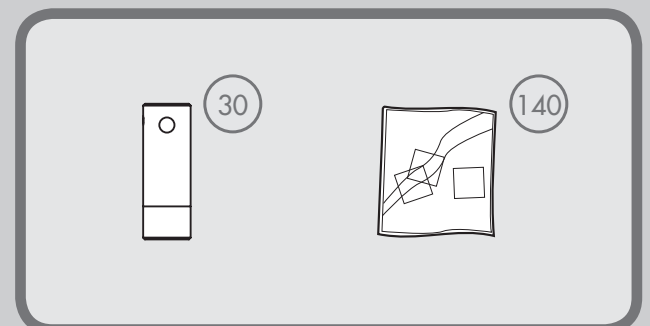
Pre-installed Parts



Wall Control Assembly



Included Accessories



# Item# in Parts List

Spare Parts Bag

**Hardware drawn to scale**  
For your convenience, you may receive extra fasteners.

Parts List		MODEL #	59090	59092	59093	59094
		DRAWING #	K2025-02	K2025-03	K2025-04	K2025-05
		Weight ±2 lbs	28.5 lbs (13.0 kg)	28.5 lbs (13.0 kg)	28.5 lbs (13.0 kg)	28.5 lbs (13.0 kg)
		FINISH	Brushed Nickel	Industrial Rust	Aged Steel	Brushed Nickel
Item#	Item Name	Qty.	Part#	Part#	Part#	Part#
1	<b>Hanging System Kit</b>	1	<b>K0065-01</b>	<b>K0065-01</b>	<b>K0065-01</b>	<b>K0065-01</b>
5	Ceiling Bracket	1				
7	Canopy	1				
11	Downrod Assembly	1				
13	Setscrew	1				
18	Canopy Screw	3				
20	Wood Screw 3"	2				
24	Flat Washer	2				
26	Mounting Isolator	4				
28	Wire Connector	4				
30	Hanger Pipe	1				
50	<b>Hardware Kit</b>	1	<b>K2025-00-861</b>	<b>K2025-00-862</b>	<b>K2025-00-863</b>	<b>K2025-00-864</b>
51	Blade Assembly Screw	21				
53	Blade Washer	21				
54	Blade Tip Screw	11				
78	<b>Reverse Switch Assembly (not shown)</b>	1	<b>K0283-04</b>	<b>K0283-04</b>	<b>K0283-04</b>	<b>K0283-04</b>
80	<b>Globe/Shade</b>	1	<b>K1903-01-045</b>	<b>K1903-01-045</b>	<b>K1903-01-045</b>	<b>K1903-01-045</b>
84	<b>LED Assembly</b>	1	<b>K1592-01</b>	<b>K1592-01</b>	<b>K1592-01</b>	<b>K1592-01</b>
98	<b>Blade Set</b>	1	<b>K1897-05-216</b>	<b>K1897-05-233</b>	<b>K1897-05-234</b>	<b>K1897-05-258</b>
106	<b>Remote Receiver Assembly</b>	1	<b>K2431-13</b>	<b>K2431-13</b>	<b>K2431-13</b>	<b>K2431-13</b>
108	<b>Wall Control</b>	1	<b>K6927-01</b>	<b>K6927-01</b>	<b>K6927-01</b>	<b>K6927-01</b>
140	<b>Balancing Kit</b>	1	<b>K0118-01</b>	<b>K0118-01</b>	<b>K0118-01</b>	<b>K0118-01</b>
161	<b>Blade Tip Set</b>	1	<b>85061-05</b>	<b>85061-05</b>	<b>85061-05</b>	<b>85061-05</b>