

CASABLANCA® FAN COMPANY

Models
59153
59154
59155

www.CasablancaFanCo.com



Owner's Guide and Installation Manual

Verse

Lifetime Limited Warranty

If purchased from our authorized dealer, this ceiling fan is warranted to the original purchaser by Casablanca Fan Company against defects in materials and workmanship for the following:

Motor excluding Electronics.....	Lifetime
Component Parts, Electronic or Manual Control, Blades, Light Fixture, and Finish.....	One Year
Light bulbs.....	No Warranty

During the warranty period, we repair (or, at our option, replace at no charge) a defective product. For details, contact Casablanca at 1-888-227-2178 or visit us on the Web at www.CasablancaFanCo.com.

HOW TO OBTAIN SERVICE: Contact Casablanca for the name of the nearest Authorized Service Center or refer to the Authorized Service Centers list included with this Owner's Manual. Do not return your fan without approval from Casablanca Fan Company. Should it become necessary to return your fan to an Authorized Service Center, make sure it is packaged properly to avoid in-transit damage, which is not covered by this warranty.

WHAT IS NOT COVERED:

Casablanca Fan Company requires the use of genuine Casablanca accessories with this fan. Where a failure of this fan is caused by the use of accessories not supplied by Casablanca, this warranty is void.

This warranty does not apply if the product has been damaged by improper installation, neglect, accident, misuse, exposure to extremes of heat or humidity, or as a result of service or modification by other than a Casablanca Authorized Service Center. In addition, this warranty does not cover minor variations in plated metal finishes due to the imperfect nature of the plating and finishing process. Hand blown glass may contain blisters, seeds, or thin lines. These characteristics are not defects, but substantiate that this is hand blown and handcrafted glass. All costs of installing, removing, and reinstalling the product are the responsibility of the owner. Under-warranty motors requiring repair must be shipped to the factory for replacement. Casablanca will pay for shipping charges incurred in sending the defective product from the customer to Casablanca Fan Company as well as for return UPS shipment. No other expressed warranty is given. The repair or replacement of a product is the consumer's exclusive remedy.

Any implied warranty of merchantability or fitness is limited for consequential or incidental damages.

IN-HOME SERVICE: Casablanca offers In-Home Service where available as follows:

Within the first 120 days, Casablanca will send a field service representative to repair or replace the part or parts deemed to be defective from the factory. Most Service Center contracts cover up to a 30-mile radius from their place of business. Casablanca will not cover repairs caused by improper installation. After the 120-day period, the consumer will be charged for the service call and labor. Casablanca will pay for all defective parts through the duration of the parts warranty. **NOTE:** Service Centers are required to submit a Proof of Purchase with each warranty claim. The consumer must provide a copy of the Proof of Purchase at the time of service. If no in-home service is available, the consumer has the option of sending an in-warranty fan to Casablanca Fan Company in Memphis, TN, for repair. The fan must be packaged properly, shipped freight prepaid, and include a copy of the Proof of Purchase. The fan will be repaired and returned at no charge to the consumer, freight prepaid.

IMPORTANT!

Read and Save These Instructions

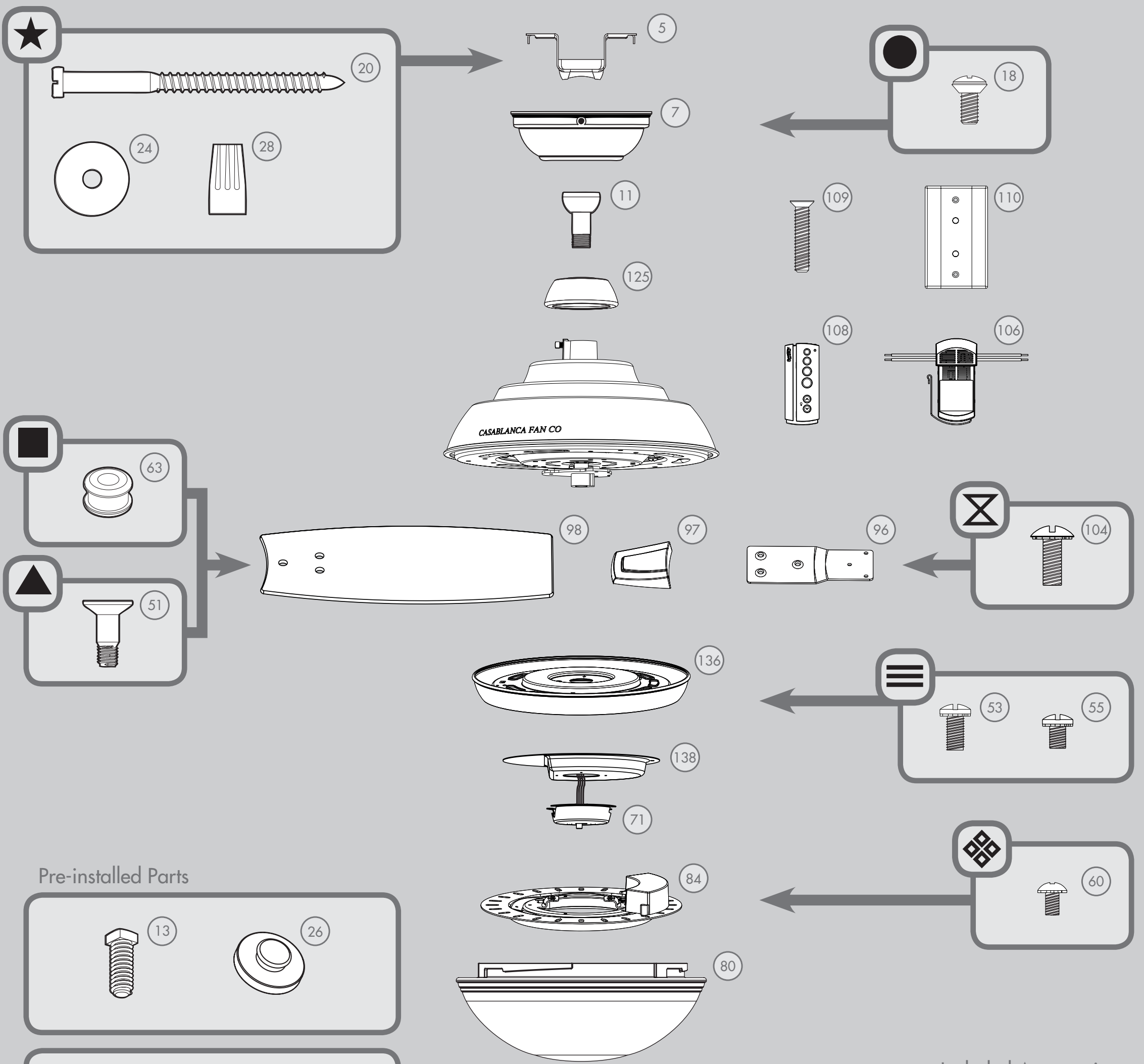
The information below will make communication MUCH easier should you ever have to contact customer service.

Model Number

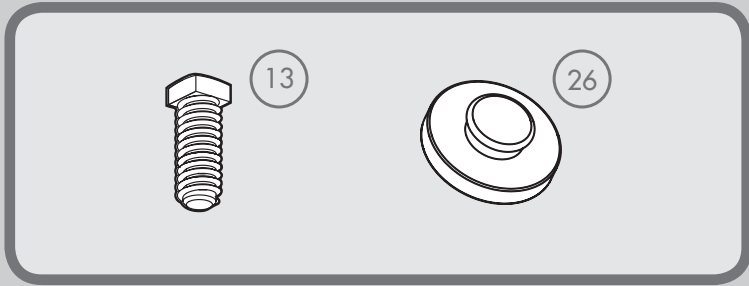
Date Purchased

Where Purchased

1-888-227-2178



Pre-installed Parts

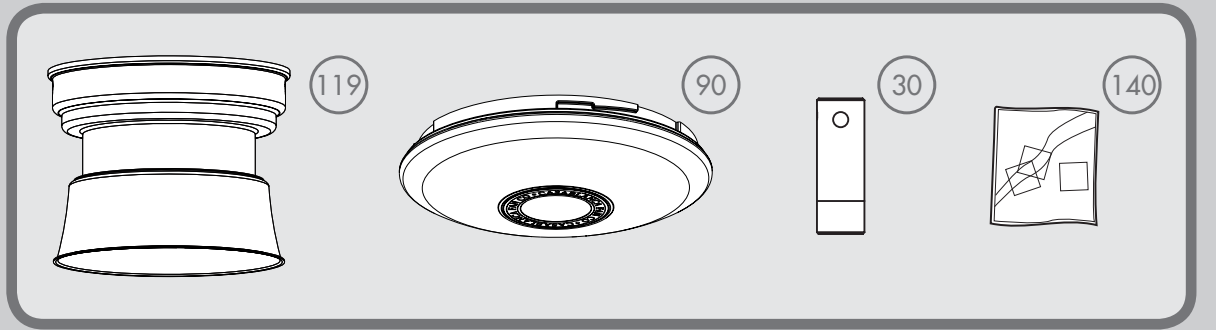


Item# in Parts List

Spare Parts Bag

Hardware drawn to scale
For your convenience, you may receive extra fasteners.

Included Accessories



Parts List		MODEL #	59153	59154	59155
		DRAWING #	K3665-01	K3665-02	K3665-03
		Weight ±2 lbs	21.6 lbs (9.8 kg)	21.6 lbs (9.8 kg)	21.6 lbs (9.8 kg)
		FINISH	Fresh White	Maiden Bronze	Satin Nickel
Item#	Item Name	Qty.	Part#	Part#	Part#
1	Hanging System Kit	1	K0065-02	K0065-02	K0065-02
5	Ceiling Bracket	1			
7	Canopy	1			
11	Downrod Assembly	1			
13	Setscrew	1			
18	Canopy Screw	3			
20	Wood Screw 3"	2			
24	Flat Washer	2			
26	Mounting Isolator	4			
28	Wire Connector	4			
30	Hanger Pipe	1			
50	Hardware Kit	1	K3665-00-860	K3665-00-861	K3665-00-862
51	Blade Assembly Screw	10			
53	Upper Switch Housing Screw	3			
55	Lower Switch Housing Screw	3			
60	Lit Kit Assembly Screw	4			
63	Blade Grommet	10			
71	Switch Housing Cap	1	K3769-01	K3769-01	K3769-01
79	Wire Harness (not shown)	1	K2405-05	K2405-05	K2405-05
80	Globe/Shade	1	G2596-01-045	G2596-01-045	G2596-01-045
84	LED Assembly	1	K1592-01	K1592-01	K1592-01
90	Optional No-Light Cap	1	K3674-01	K3674-01	K3674-01
96	Blade Iron Set	1	K3668-03	K3668-03	K3668-03
97	Blade Medallion Set	1	K3669-03	K3669-03	K3669-03
98	Blade Set	1	K3671-23-309	K3671-23-310	K3671-23-279
104	Blade Iron Armature Screw	10	K1809-02	K1809-02	K1809-02
106	Remote Control Receiver	1	K2431-13	K2431-13	K2431-13
108	Remote Control Transmitter	1	G1764-02	G1764-02	G1764-02
109	Wall Plate Screw	2	K0651-03	K0651-03	K0651-03
110	Wall Plate	1	G2267-01	G2267-01	G2267-01
119	Optional Low Profile Canopy	1	K3792-01	K3792-01	K3792-01
125	Adapter Cover	1	K4115-01	K4115-01	K4115-01
136	Upper Switch Housing	1	G0746-02	G0746-02	G0746-02
138	Lower Switch Housing	1	K3673-01	K3673-01	K3673-01
140	Balancing Kit	1	K0118-01	K0118-01	K0118-01