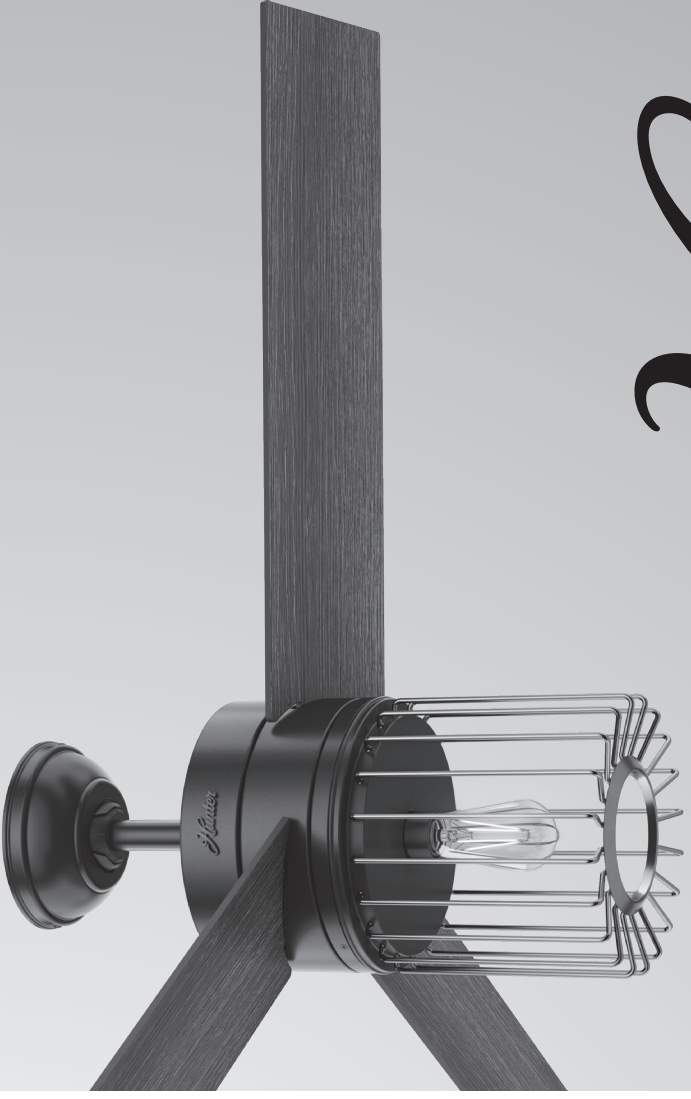


Models
59238
59239

Hunter

9881 SINCE



English

Owner's Guide and Installation Manual

Ronan

Ronan

Manual del propietario y Manual de instalación

Español

1.888.830.1326

¡IMPORTANTE!

Lea y guarde estas instrucciones

La información que se entrega a continuación facilitará en gran medida la comunicación en caso de que necesite contactar con el servicio al cliente.

Where Purchased _____

Date Purchased _____

Model Number _____

For assistance call 1-888-830-1326.

www.HunterFan.com

If parts are missing,
DO NOT RETURN THIS ITEM TO THE STORE!

Read and Save These Instructions

The information below will make communication MUCH easier should you ever need to contact customer service.

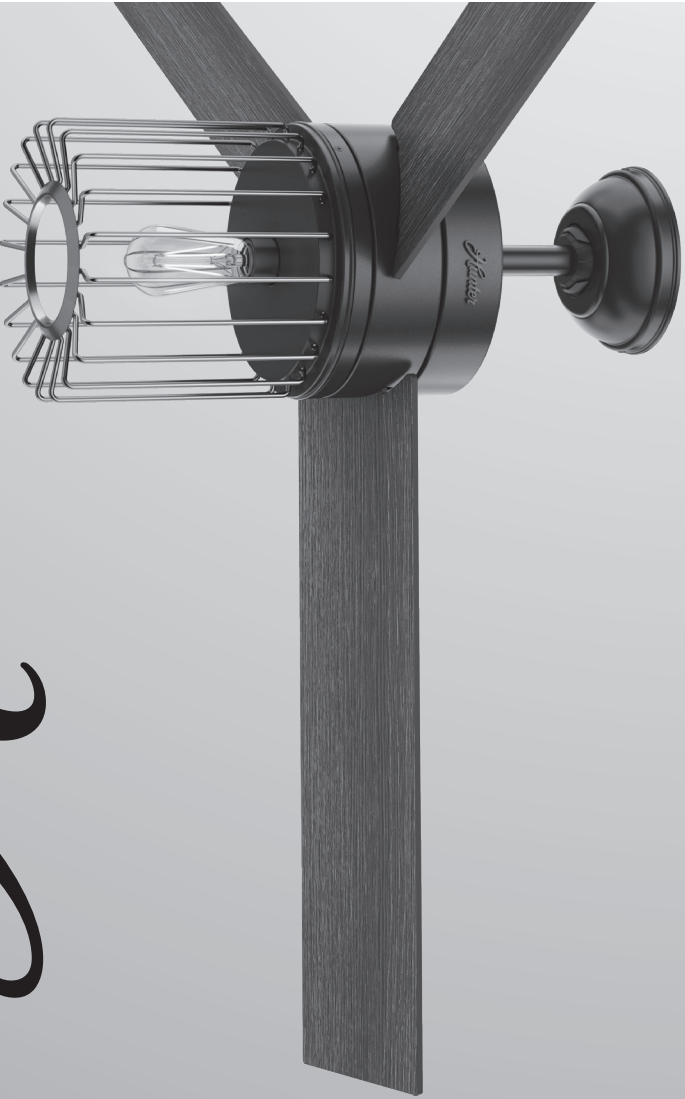
Where Purchased _____

Date Purchased _____

Model Number _____

IMPORTANT!

1.888.830.1326



Hunter

SINCE 1886

Modelos
59238
59239

©2016 Hunter Fan Co.

Limited Lifetime Warranty

Hunter Fan Company grants this limited warranty to the original purchaser of this Hunter ceiling fan. This document can be found at www.HunterFan.com. Thank you for choosing Hunter!

How Can Warranty Service Be Obtained?

Proof of purchase is required when requesting warranty service. The original purchaser must present a sales receipt or other document that establishes proof of purchase. Hunter, at its sole discretion, may accept a gift receipt. To obtain service, contact Hunter Fan Company online or by phone.

www.HunterFan.com/Support/Contact-Us/

1-888-830-1326

Please do not ship your fan or any fan parts to Hunter. Delivery will be refused.

What Does This Warranty Cover?

Motor — Limited Lifetime Warranty

If any part of your ceiling fan motor fails during your ownership of the fan due to a defect in material or workmanship, as determined solely by Hunter, Hunter will provide you with a replacement fan free of charge.* The foregoing limited warranty applies only to the motor itself and does not apply to electronic controls – such as remote control transmitters, remote control receivers, or capacitors – used in conjunction with the motor. Such electronic control items are included in the one-year limited warranty below.

Other — One-Year Limited Warranty

Except as otherwise indicated throughout this warranty, if any part of your Hunter ceiling fan fails at any time within one year of the date of purchase due to a defect in material or workmanship, as determined solely by Hunter, Hunter will provide a replacement part free of charge.*

Light Kits — Warranty May Vary

Light kits are included in the one-year limited warranty. However, you may qualify for additional warranty coverage if your fan includes one of the following:

- **LED Light Kits — Three-Year Limited Warranty**

If your LED light kit module (not including glass components) or LED bulb fails at any time within three years of the date of purchase due to a defect in material or workmanship, as determined solely by Hunter, Hunter will provide a replacement part free of charge.*

Limited Lifetime Warranty

• ENERGY STAR® Rated Light Kits — Three-Year Limited Warranty

If your ENERGY STAR rated light kit (not including glass components) fails at any time within three years of the date of purchase due to a defect in material or workmanship, as determined solely by Hunter, Hunter will provide a replacement light kit free of charge.*

** If no replacement product/part can be provided for your fan, we will provide a comparable or superior replacement product/part at the sole discretion of Hunter.*

What Does This Warranty NOT Cover?

Labor Excluded. This warranty does not cover any costs or fees associated with the labor (including electrician's fees) required to install, remove, or replace a fan or any fan parts. There is no warranty for light bulbs (except where otherwise noted), remote control batteries, fans purchased or installed outside the United States; fans owned by someone other than the original purchaser; fans for which proof of purchase has not been established; fans purchased from an unauthorized dealer; ordinary wear and tear; minor cosmetic blemishes; refurbished fans; and fans that are damaged due to any of the following: improper installation, misuse, abuse, improper care, failure to follow Hunter instructions, accidental damage caused by the fan owner or related parties; modifications to the fan, improper or incorrectly performed maintenance or repair; improper voltage supply or power surge; use of improper parts or accessories; failure to provide maintenance to the fan, or acts of God (e.g. flood).

ORIGINAL PURCHASER'S SOLE AND EXCLUSIVE REMEDY FOR A CLAIM OF ANY KIND WITH RESPECT TO THIS PRODUCT SHALL BE THE REMEDIES SET FORTH HEREIN. HUNTER FAN COMPANY IS NOT RESPONSIBLE FOR CONSEQUENTIAL OR INCIDENTAL DAMAGES, DUE TO PRODUCT FAILURE, WHETHER ARISING OUT OF BREACH OF WARRANTY, BREACH OF CONTRACT, OR OTHERWISE. Some States do not allow the exclusion or limitation of incidental or consequential damages, so the above limitation or exclusion may not apply to you.

ANY IMPLIED WARRANTIES OF MERCHANTABILITY OR FITNESS FOR A PARTICULAR PURPOSE APPLICABLE TO THIS PRODUCT ARE LIMITED IN DURATION TO THE PERIOD OF COVERAGE OF THE APPLICABLE LIMITED WARRANTIES SET FORTH ABOVE. Some States do not allow limitations on how long an implied warranty lasts, so the above limitation may not apply to you.

How Does State Law Affect Warranty Coverage?

This warranty gives you specific legal rights. You may also have other rights which vary from state to state.

entre varian de un año de garantía o más. Los derechos se aplican a otros productos.

¿Cómo afecta la cobertura de la garantía?

En un año de garantía limitada de Hunter, si el motor de su ventilador de techo falla durante el primer año desde la fecha de compra, debido a un defecto en los materiales o la mano de obra, conforme Hunter lo determine a su arbitrio, Hunter le proporcionará una pieza de repuesto de la pieza de carga para el ventilador.*

Este documento puede ser encontrado en Internet en www.hunterfan.com. ¡Gracias por elegir Hunter!

Este documento puede ser encontrado en Internet en www.hunterfan.com. ¡Gracias por elegir Hunter!

Este documento puede ser encontrado en Internet en www.hunterfan.com. ¡Gracias por elegir Hunter!

Este documento puede ser encontrado en Internet en www.hunterfan.com. ¡Gracias por elegir Hunter!

Garantía limitada de por vida

Hunter Fan Company otorga la siguiente garantía limitada al comprador original de este ventilador para techo marca Hunter. Este documento puede ser encontrado en Internet en www.hunterfan.com. ¡Gracias por elegir Hunter!

¿Se requiere servicio cubierto de la garantía?

Este documento puede ser encontrado en Internet en www.hunterfan.com. ¡Gracias por elegir Hunter!

Este documento puede ser encontrado en Internet en www.hunterfan.com. ¡Gracias por elegir Hunter!

Este documento puede ser encontrado en Internet en www.hunterfan.com. ¡Gracias por elegir Hunter!

Este documento puede ser encontrado en Internet en www.hunterfan.com. ¡Gracias por elegir Hunter!

Este documento puede ser encontrado en Internet en www.hunterfan.com. ¡Gracias por elegir Hunter!

Motor — Garantía limitada de por vida

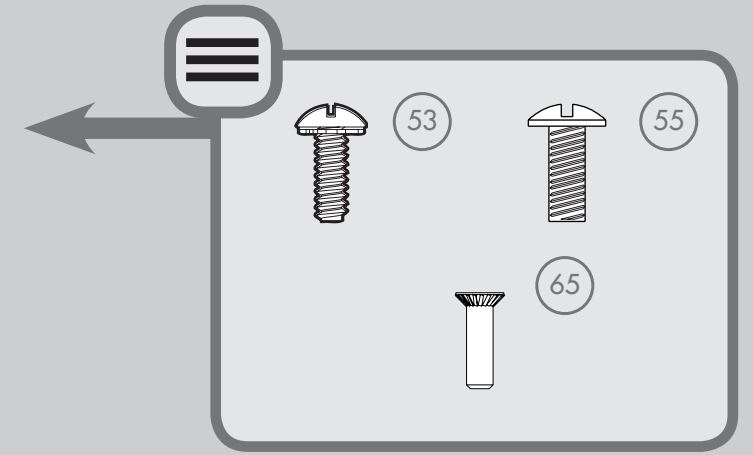
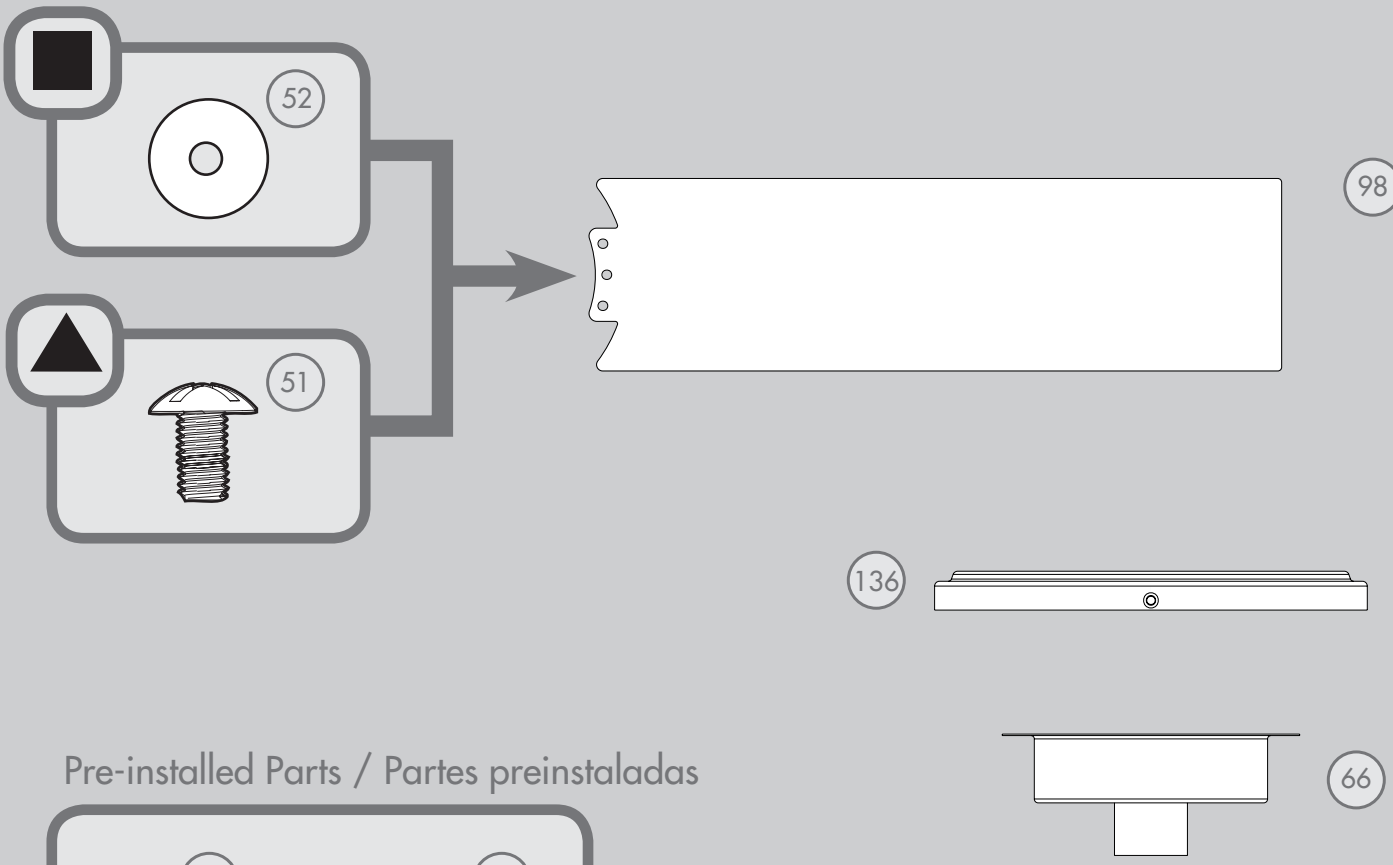
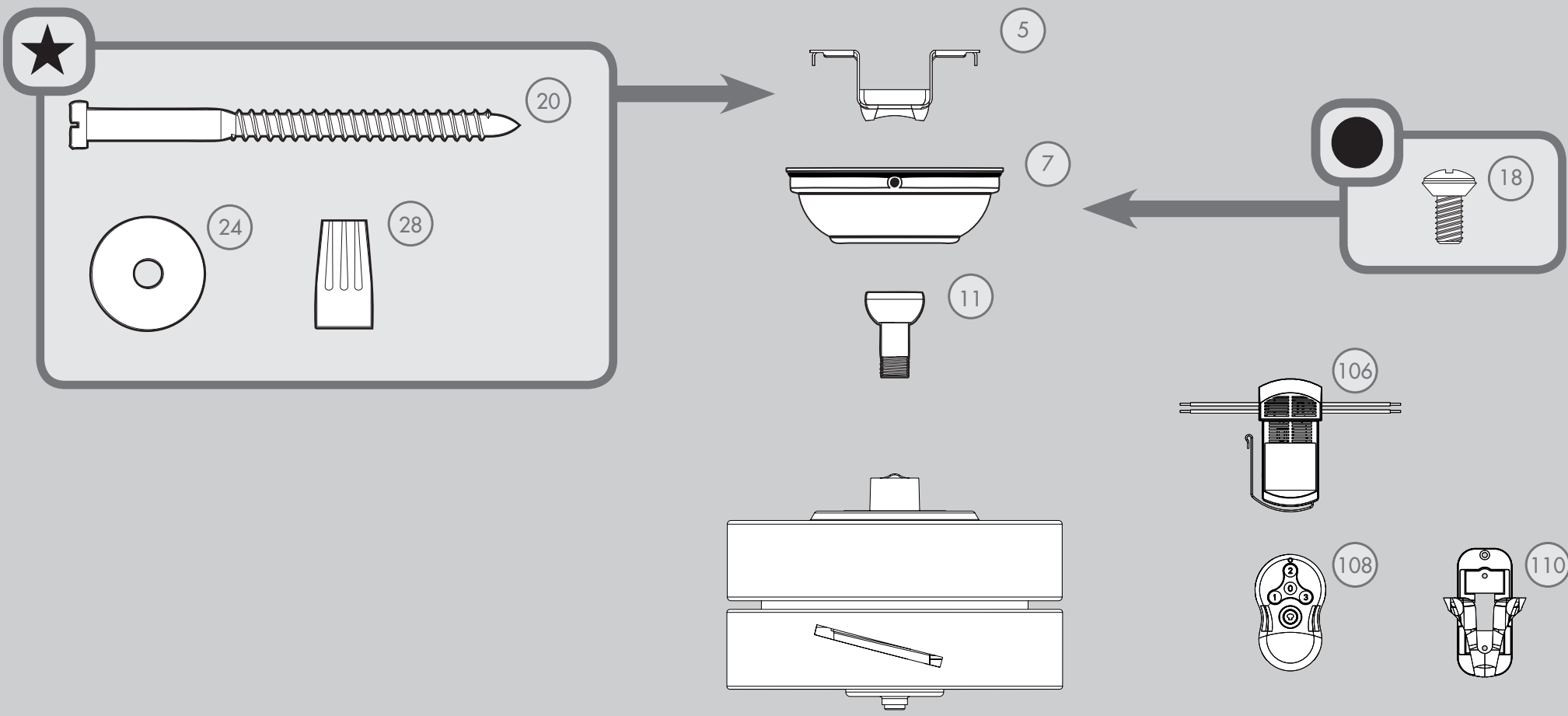
Si cualquier pieza de ventilador para techo Hunter falla durante el primer año desde la fecha de compra, debido a un defecto en los materiales o la mano de obra, conforme Hunter lo determine a su arbitrio, Hunter le proporcionará una pieza de repuesto de la pieza de carga para el ventilador.*

Este documento puede ser encontrado en Internet en www.hunterfan.com. ¡Gracias por elegir Hunter!

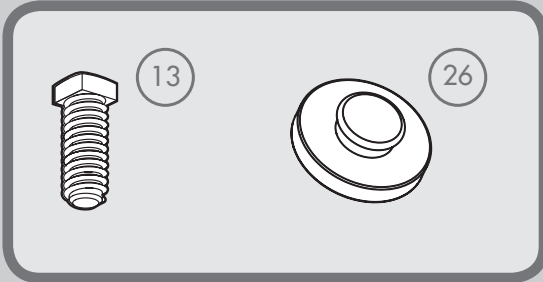
Este documento puede ser encontrado en Internet en www.hunterfan.com. ¡Gracias por elegir Hunter!

Este documento puede ser encontrado en Internet en www.hunterfan.com. ¡Gracias por elegir Hunter!


PARTS GUIDE GUIA DE PARTES



Pre-installed Parts / Partes preinstaladas



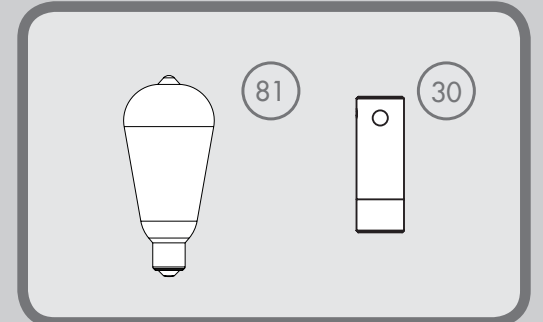
in Parts List
en Lista de partes

 Spare Parts Bag
Bolsa de partes de repuesto

Hardware drawn to scale
For your convenience, you may receive extra fasteners.

Materiales dibujado a escala
Para su comodidad, es posible que reciba sujetadores extra.

Included Accessories / Accesorios incluidos



Parts List		MODEL #		Lista de piezas	
		59238	59239		
		MODELO #			
		DRAWING #			
		ESQUEMA #			
		Weight ±2 lbs			
		Peso ±2 lb			
		FINISH			
		FINISH			
#	Item Name	Qty. / Cant.	Part# / No. de la pieza	Nombre del Item	
1	Hanging System Kit	1	K0065-01	K0065-01	Kit del sistema de suspensión
5	Ceiling Bracket	1			Soporte de techo
7	Canopy	1			Campana
11	Downrod Assembly	1			Conjunto de varilla
13	Setscrew	1			Tornillo de fijación
18	Canopy Screw	3			Tornillo de la campana
20	Wood Screw 3"	2			Tornillo para madera de 3"
24	Flat Washer	2			Arandela plana
26	Mounting Isolator	4			Aislador de montaje
28	Wire Connector	4			Conector de cable
30	Hanger Pipe	1			Tubo de suspensión
50	Hardware Kit	1	K5637-00-860	K5637-00-861	Kit de materiales
51	Blade Assembly Screw	10			Tornillo de montaje de paleta
52	Blade Washer	10			Arandela de montaje de paleta
53	Machine Screw 6-32	3			Tornillo mecánico 6-32
55	Switch Housing Assembly Screw	3			Tornillo de montaje de la caja del interruptor
65	Assembly Screw	3			Tornillo de la asamblea
66	Switch Housing Assembly	1	K5676-01	K5676-01	Montaje de la caja de interruptor
81	LED Bulb	1	K5636-01	K5636-01	Bombilla LED
98	Blade Set	1	K5927-03-339	K5927-03-338	Juego de paletas
106	Remote Control Receiver	1	K2431-03	K2431-03	Receptor de control remoto
108	Remote Control Transmitter	1	K0474-06	K0474-06	Transmisor del control remoto
110	Remote Control Cradle	1	G2272-03	G2272-03	Soporte de control remoto
136	Upper Switch Housing	1	K5634-01	K5634-01	Caja superior del interruptor
138	Lower Switch Housing	1	K5677-01	K5677-01	Caja inferior del interruptor