

CASABLANCA® FAN COMPANY

Models
59350

©2017 Casablanca Fan Co.

Owner's Guide and Installation Manual

edoposI

IMPORTANT!

Read and Save These Instructions

The information below will make communication MUCH easier should you ever need to contact customer service.

Model Number _____
Date Purchased _____
Where Purchased _____

If parts are missing,
DO NOT RETURN THIS ITEM
TO THE STORE!

For assistance call 1-888-227-2178

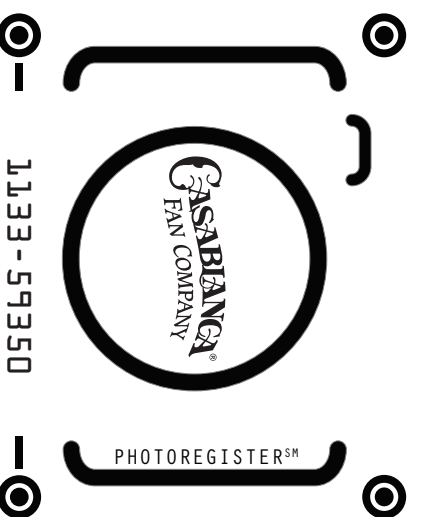
www.CasablancaFanCo.com

1.888.227.2178

Please take a moment to register your ceiling fan. Should you ever need to contact us, registration will make it easier for us to assist you.

STEP 1 TAKE A PHOTO

Take a photo of the camera icon below, including the points (📷).



STEP 2 SEND IT IN

SMARTPHONE US ONLY
Text photo to 71403

OR
MESSENGER
Send photo to @Photoregister

OR
ONLINE
casablanca.registria.com

Need help? Visit Photoregister.com/help or
text HELP to 71403.

CASABLANCA® FAN COMPANY

loved creating it.
you love your fan as much as we
Casablanca ceiling fan. We hope
a guising
Thank you for purchasing

NOYKNVHTL

Limited Lifetime Warranty

Casablanca Fan Company grants this limited warranty to the original purchaser of this Casablanca ceiling fan. This document can be found online at www.CasablancaFanCo.com. Thank you for choosing Casablanca!

HOW CAN WARRANTY SERVICE BE OBTAINED?

Proof of purchase is required when requesting warranty service. The original purchaser must present a sales receipt or other document that establishes proof of purchase. Casablanca, at its sole discretion, may accept a gift receipt. To obtain service, contact Casablanca Fan Company online or by phone.

www.CasablancaFanCo.com/Support/ContactUs/

1-888-227-2178

Please do not ship your fan or any fan parts to Casablanca. Delivery will be refused.

WHAT DOES THIS WARRANTY COVER?

Motor - Limited Lifetime Warranty

If any part of your ceiling fan motor fails during your ownership of the fan due to a defect in material or workmanship, as determined solely by Casablanca, Casablanca will provide a replacement motor or a replacement fan of equal value solely at its own choosing.* The foregoing limited warranty applies only to the motor itself and does not apply to electronic controls – such as remote control transmitters, remote control receivers, or capacitors – used in conjunction with the motor. Such electronic control items are included in the one-year limited warranty below.

Other - One-Year Limited Warranty

Except as otherwise indicated throughout this warranty, if any part of your Casablanca ceiling fan fails at any time within one year of the date of purchase due to a defect in material or workmanship, as determined solely by Casablanca, Casablanca will provide a replacement part free of charge.*

Light Kits - Warranty May Vary

Light kits are included in the one-year limited warranty. However, you may qualify for additional warranty coverage if your fan includes the following:

- LED Light Kit Modules - Five-Year Limited Warranty
- If your LED light kit module (not including glass components) fails at any time within five years of the date of purchase due to a defect in material or workmanship, as determined solely by Casablanca, Casablanca will provide a replacement part free of charge.*

* If no replacement product/part can be provided for your fan, we will provide a comparable or superior replacement product/part at the sole discretion of Casablanca.

WHAT DOES THIS WARRANTY NOT COVER?

Labor Excluded. This warranty does not cover any costs or fees associated with the labor (including electrician's fees) required to install, remove, or replace a fan or any fan parts.

There is no warranty for light bulbs; remote control batteries; fans purchased or installed outside the United States; fans owned by someone other than the original purchaser; fans for which proof of purchase has not been established; fans purchased from an unauthorized dealer; ordinary wear and tear; minor cosmetic blemishes; refurbished fans; and fans that are damaged due to any of the following: improper installation, misuse, abuse, improper care, failure to follow Casablanca instructions, accidental damage caused by the fan owner or related parties, modifications to the fan, improper or incorrectly performed maintenance or repair, improper voltage supply or power surge, use of improper parts or accessories, failure to provide maintenance to the fan, or acts of God (e.g. flood).

ORIGINAL PURCHASERS' SOLE AND EXCLUSIVE REMEDY FOR A CLAIM OF ANY KIND WITH RESPECT TO THIS PRODUCT SHALL BE THE REMEDIES SET FORTH HEREIN. CASABLANCA FAN COMPANY IS NOT RESPONSIBLE FOR CONSEQUENTIAL OR INCIDENTAL DAMAGES, DUE TO PRODUCT FAILURE, WHETHER ARISING OUT OF BREACH OF WARRANTY, BREACH OF CONTRACT, OR OTHERWISE. Some States do not allow the exclusion or limitation of incidental or consequential damages, so the above limitation or exclusion may not apply to you.

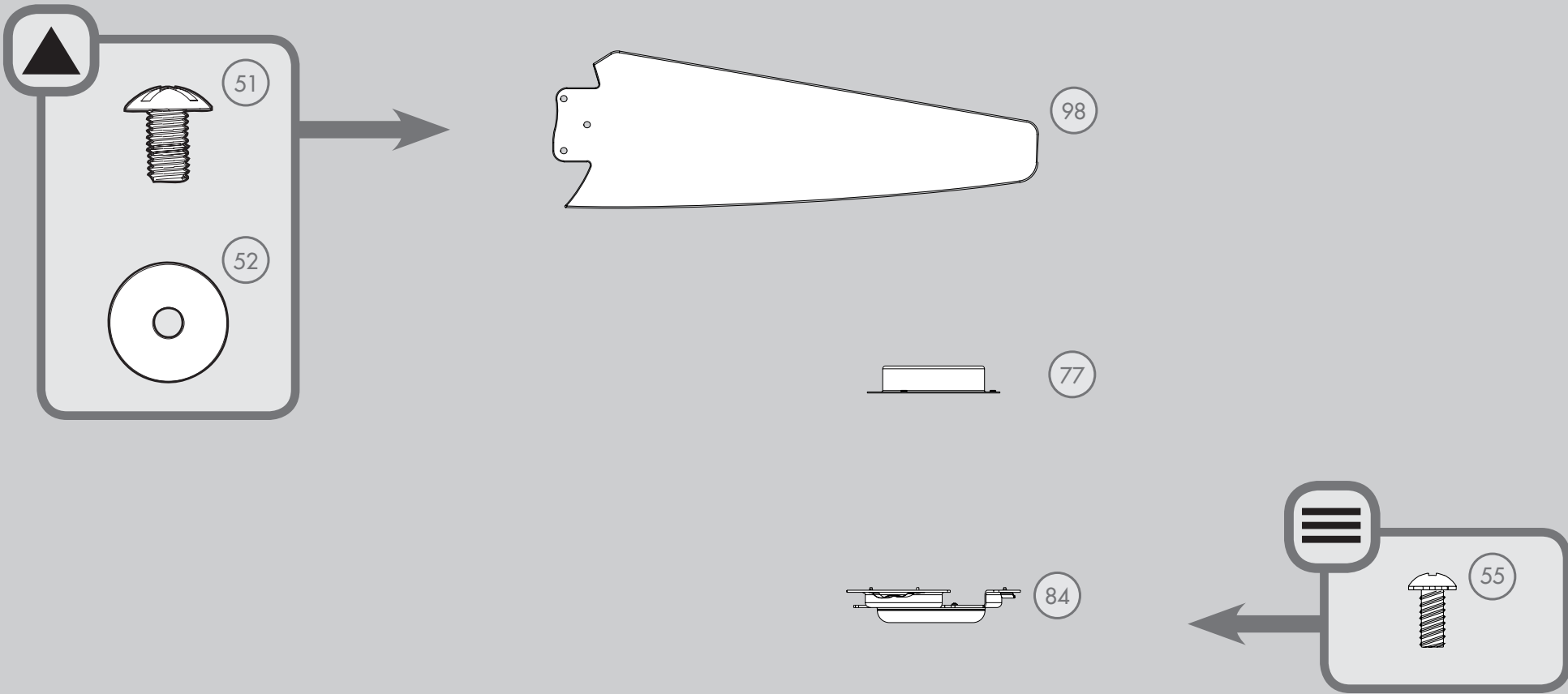
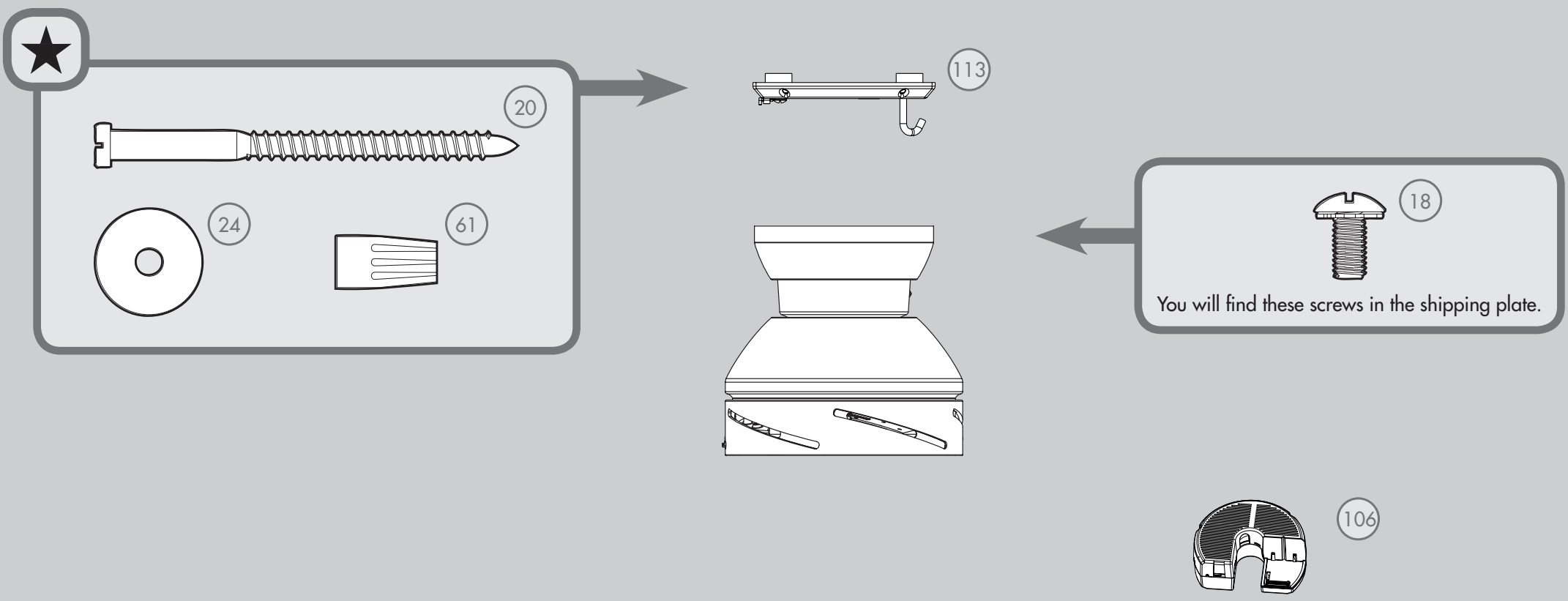
ANY IMPLIED WARRANTIES OF MERCHANTABILITY OR FITNESS FOR A PARTICULAR PURPOSE APPLICABLE TO THIS PRODUCT ARE LIMITED IN DURATION TO THE PERIOD OF COVERAGE OF THE APPLICABLE LIMITED WARRANTIES SET FORTH ABOVE. Some States do not allow limitations on how long an implied warranty lasts, so the above limitation may not apply to you.

HOW DOES STATE LAW AFFECT WARRANTY COVERAGE?

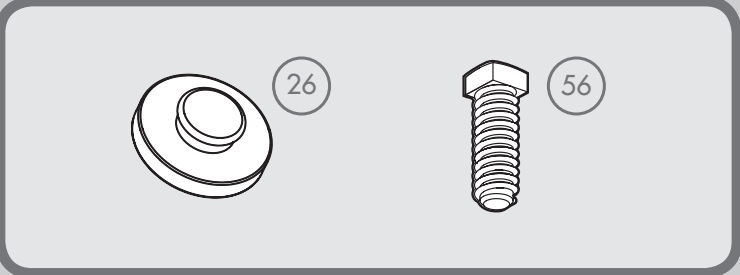
This warranty gives you specific legal rights. You may also have other rights which vary from state to state.

120-DAY CASABLANCA IN-HOME SERVICE WARRANTY

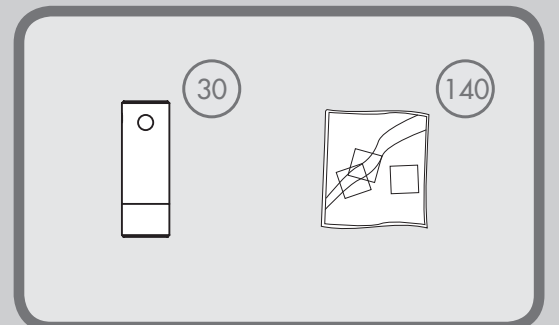
Within the first 120 days of purchase, Casablanca, where available, will provide for a service representative to repair or replace the parts or parts deemed to be defective from the factory. Proof of purchase must be submitted with each warranty claim at the time of service. Where service is unavailable, a replacement product of comparable value will be provided at no cost.



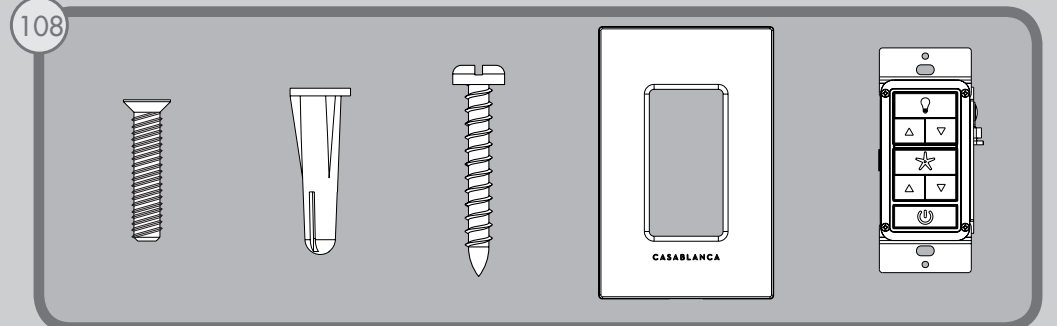
Pre-installed Parts



Included Accessories



Wall Control Assembly



Item# in Parts List

Spare Parts Bag

Hardware drawn to scale
For your convenience, you may receive extra fasteners.

| Parts List | | MODEL # | 59350 |
|------------|-------------------------|---------------|---------------------|
| | | DRAWING # | K7180-01 |
| | | Weight ±2 lbs | 23.9 lbs (10.8 kg) |
| | | FINISH | Fresh White |
| Item# | Item Name | Qty. | Part# |
| 50 | Hardware Kit | 1 | K7144-00-860 |
| 18 | Canopy Screw | 4 | |
| 20 | Wood Screw 3" | 2 | |
| 24 | Flat Washer | 2 | |
| 51 | Blade Assembly Screw | 16 | |
| 55 | Light Fixture Screw | 6 | |
| 61 | Wire Connector | 4 | |
| 63 | Blade Washer | 16 | |
| 77 | Light Kit Fitter | 1 | K7176-01 |
| 80 | Globe Assembly | 1 | K1810-01-045 |
| 84 | LED Assembly | 1 | K7175-01 |
| 98 | Blade Set | 1 | K1813-05-431 |
| 106 | Control Receiver | 1 | K5497-11 |
| 108 | Wall Control | 1 | K6933-04 |
| 113 | Ceiling Plate | 1 | K2258-01 |
| 140 | Balancing Kit | 1 | K0118-01 |