

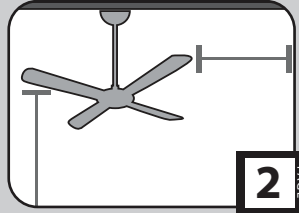
Congratulations on purchasing your new Hunter® ceiling fan! It will provide comfort and performance in your home or office for many years. This installation and operation manual contains complete instructions for installing and operating your fan.

We are proud of our work and appreciate the opportunity to supply you with the best ceiling fan available anywhere in the world.

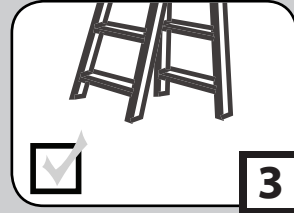
To register your fan, please visit:
www.HunterFan.com/register

Save your receipt for proof of purchase.

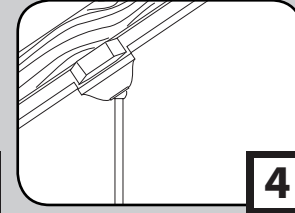
What to Expect with Your Installation



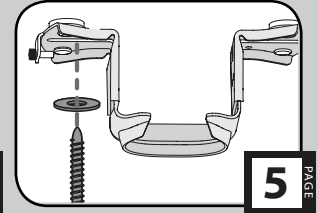
Tools Needed



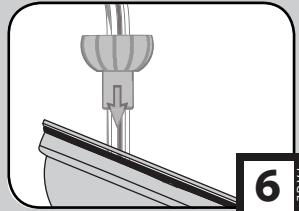
Mounting Options



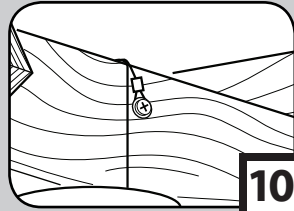
Ceiling Bracket



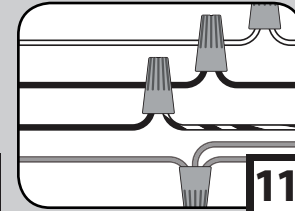
Downrod



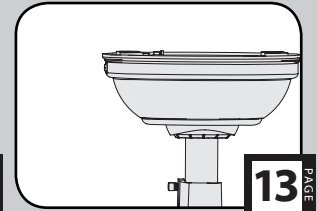
Secondary Hanging System



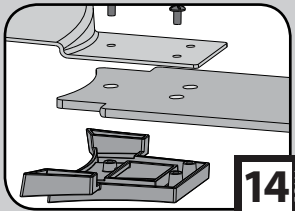
Wiring



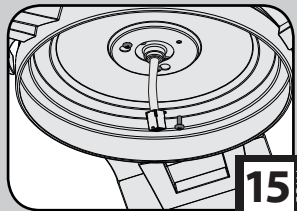
Canopy



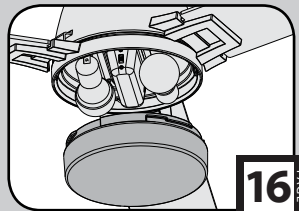
Blades



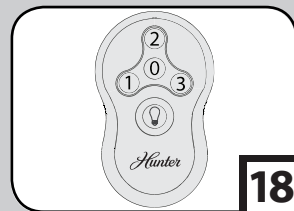
Switch Housing



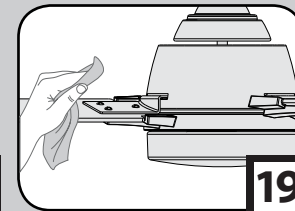
Light Kit



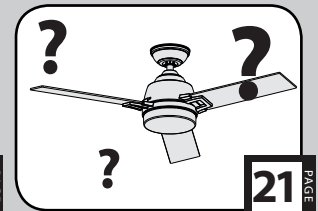
Remote Control

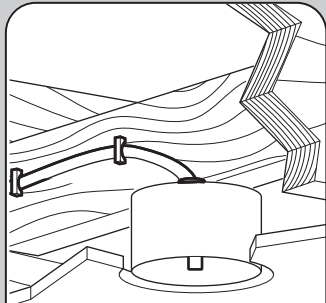


Operation, Maintenance & Cleaning



Troubleshooting

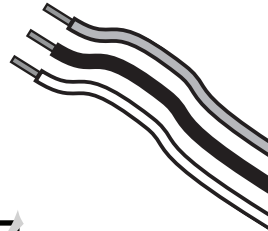




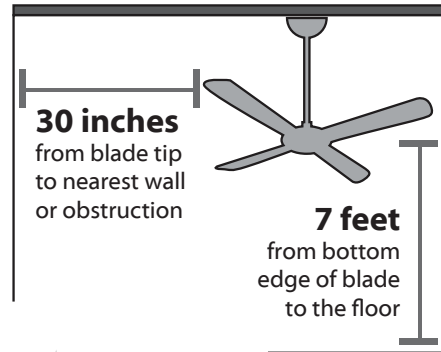
Must be able to secure the fan to building structure or fan-rated outlet box



If you are unfamiliar with wiring, use a qualified electrician.



Know your wiring



Assess location

You may need a friend to help you.



Check box to see fan weight



Ceiling angles greater than 34° will require an Angled Mounting Kit. See page 4 for details.



Assess ceiling angle

1 Standard Downrod for ceilings 8-10 feet high

2 Shorter Downrod for fans installed close to ceiling

3 Longer Downrod for ceilings 10 feet or higher



Select a downrod length

Read and Save These Instructions

This product conforms to UL Standard 507.

⚠ WARNINGS

w.1 - To reduce the risk of fire, electrical shock, or personal injury, mount fan directly from building structure and/or an outlet box marked acceptable for fan support of 70 lbs (31.8 kg) and use the mounting screws provided with the outlet box.

w.2 - To avoid possible electrical shock, before installing or servicing your fan, disconnect the power by turning off the circuit breakers to the outlet box and associated wall switch location. If you cannot lock the circuit breakers in the off position, securely fasten a prominent warning device, such as a tag, to the service panel.

w.3 - To reduce the risk of fire, electrical shock, or motor damage, use only Hunter Solid State Speed Controls.

w.4 - To reduce the risk of personal injury, do not bend the blade brackets when installing the blade brackets, balancing the blades, or cleaning the fan. Do not insert foreign objects in between rotating fan blades.

⚠ CAUTIONS

c.1 - All wiring must be in accordance with national and local electrical codes ANSI/NFPA 70. If you are unfamiliar with wiring, use a qualified electrician.

c.2 - Use only Hunter replacement parts.

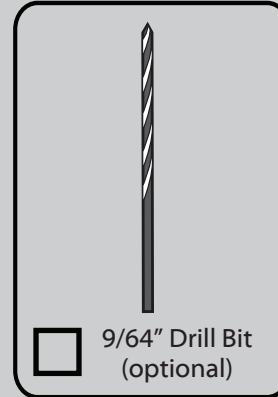
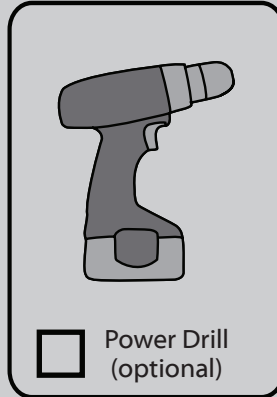
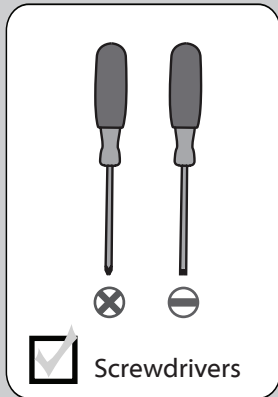
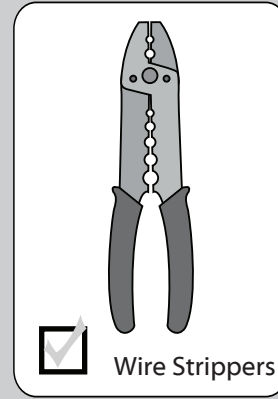
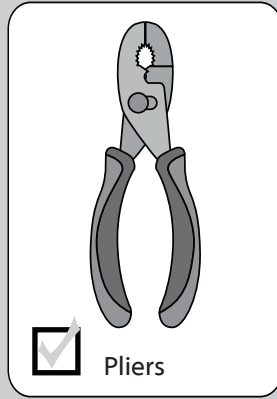
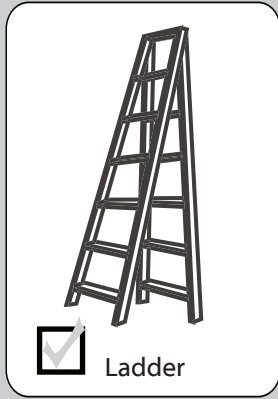
This equipment has been tested and found to comply with the limits for a Class B digital device, pursuant to part 15 of the FCC Rules. These limits are designed to provide reasonable protection against harmful interference in a residential installation. This equipment generates, uses and can radiate radio frequency energy and if not installed and used in accordance with the instructions may cause harmful interference to radio communications.

However, there is no guarantee that interference will not occur in a particular installation. If this equipment does cause harmful interference to radio or television reception, which can be determined by turning the equipment off and on, the user is encouraged to try to correct the interference by one or more of the following measures:

- Reorient or relocate the receiving antenna.
- Increase the separation between the equipment and receiver.
- Connect the equipment into an outlet on a circuit different from that to which the receiver is connected.
- Consult the dealer or an experienced radio/TV technician for help.

Caution: modifications not approved by the party responsible for compliance could void user's authority to operate the equipment.

This device complies with Part 15 of the FCC Rules. Operation is subject to the following two conditions: (1) This device may not cause harmful interference, and (2) this device must accept any interference received, including interference that may cause undesired operation.



If mounting to a support structure, you will also need these tools.

34°

CEILING ▲

If you have a flat ceiling:

Hang your fan by a standard downrod (included).

Standard
Mounting

OPTION 1

If you have an angled ceiling:

1. You will need a longer downrod (sold separately).
2. If your ceiling angle is greater than 34°, you will also need an Angled Mounting Kit (sold separately).

Angled
Mounting

OPTION 2

Use the three steps below to determine if your ceiling angle is greater than 34°



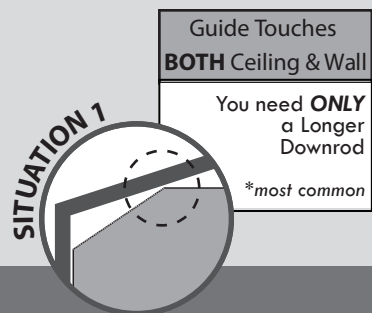
1

FOLD
on dotted line

2

PLACE
against wall

3

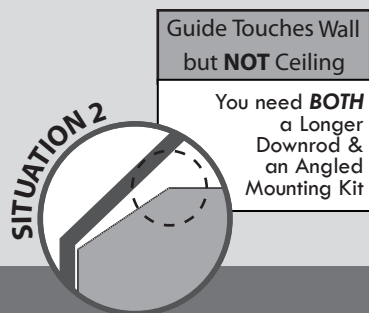
SLIDE
toward ceiling

SITUATION 1

Guide Touches
BOTH Ceiling & Wall

You need **ONLY**
a Longer
Downrod

**most common*



SITUATION 2

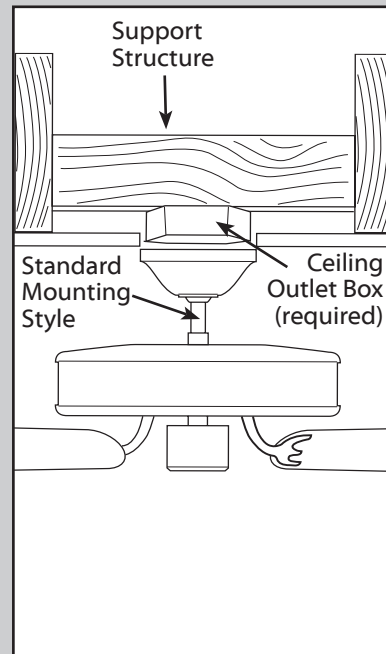
Guide Touches Wall
but **NOT** Ceiling

You need **BOTH**
a Longer
Downrod &
an Angled
Mounting Kit

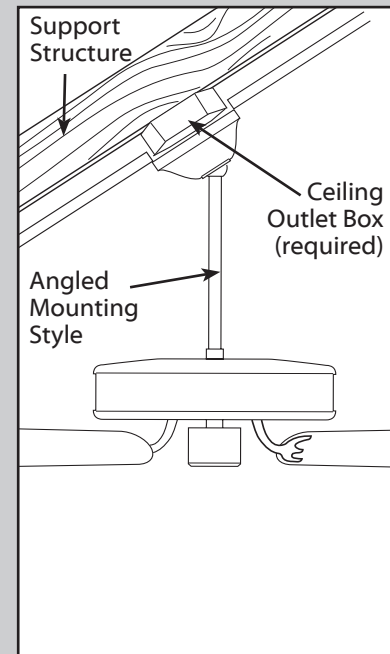
Mounting Options

www.HunterFan.com

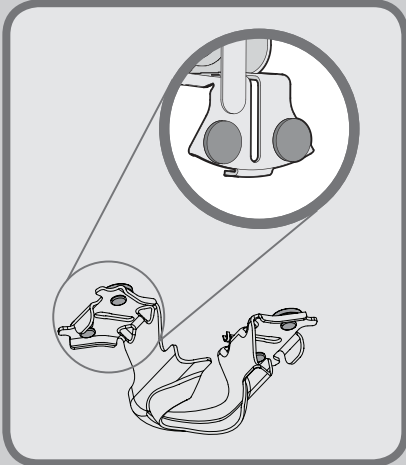
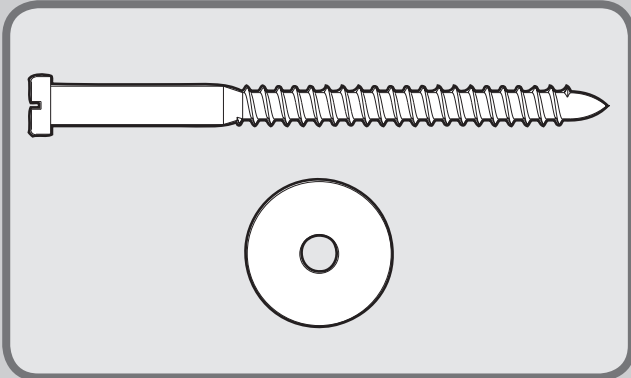
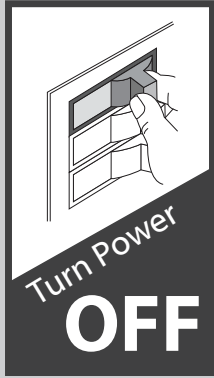
1.888.830.1326



Use **Standard Mounting**
or **Low-Profile Mounting**
to hang the fan from a flat ceiling.



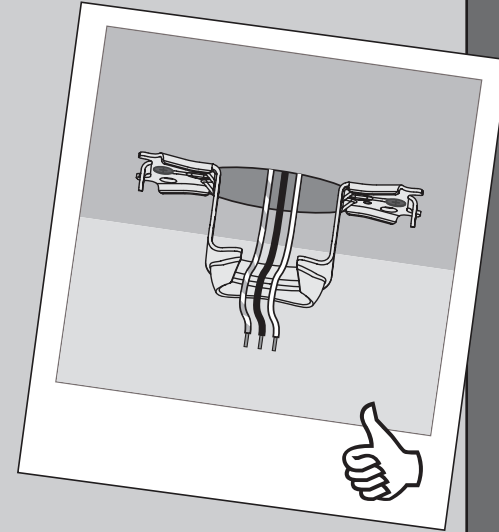
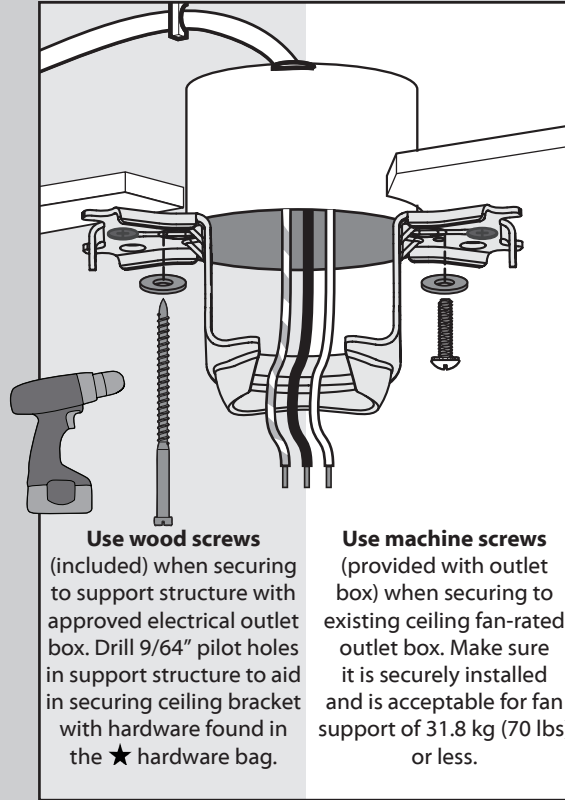
Use **Angled Mounting**
to hang the fan from a
vaulted or angled ceiling.



Make sure all four bumpers are still attached.



If you are unable to do this, call Technical Support at 1-888-830-1326.



Refer to warning w.1 on pg. 2

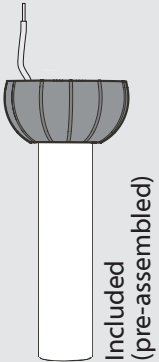


To avoid possible electrical shock, before installing your fan, disconnect the power by turning off the circuit breakers to the outlet box associated with the wall switch location.



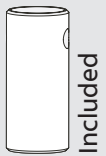
Option 1

Standard Downrod
for ceilings 8-10' high



Option 2

Shorter Downrod
for fans installed close to ceiling



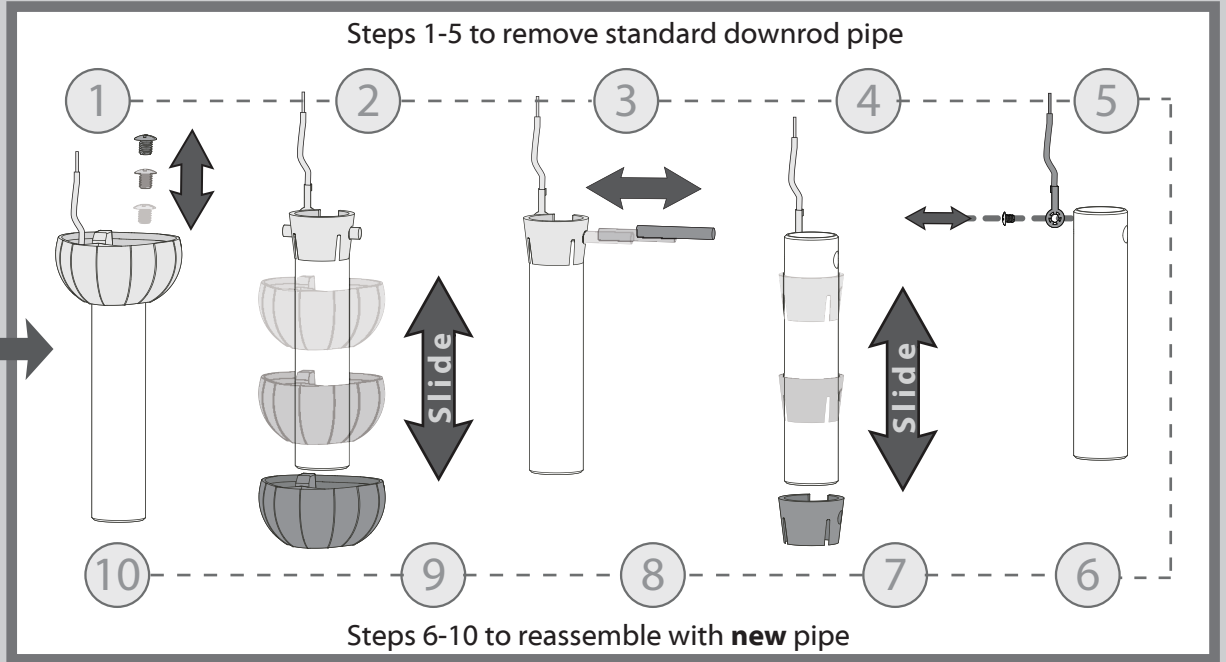
Option 3

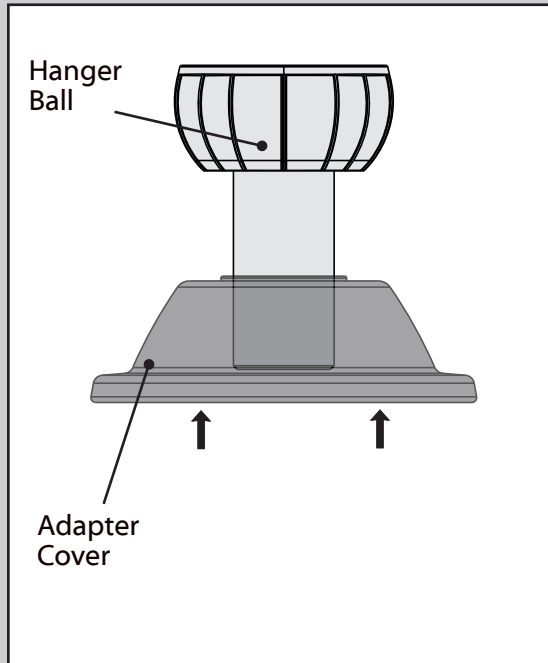
Longer Downrod
for angled ceilings or ceilings 10' or higher



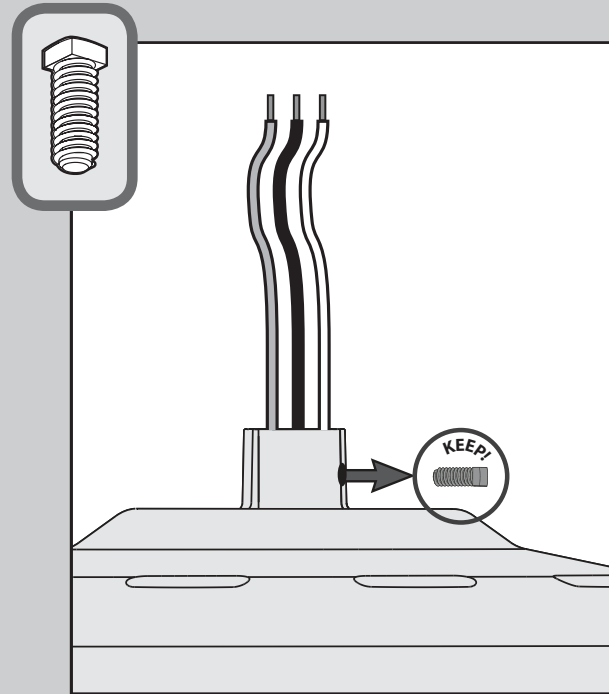
skip to next page

If you need a different downrod length follow these steps:

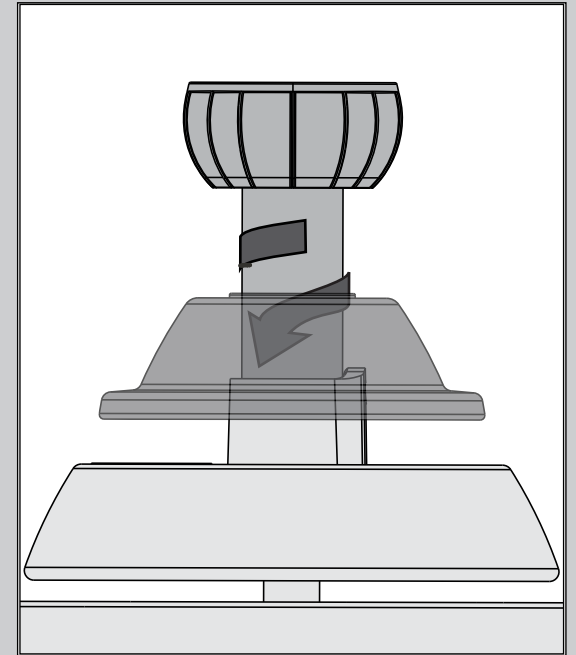




Slide the adapter cover onto the downrod until it rests against the hanger ball.

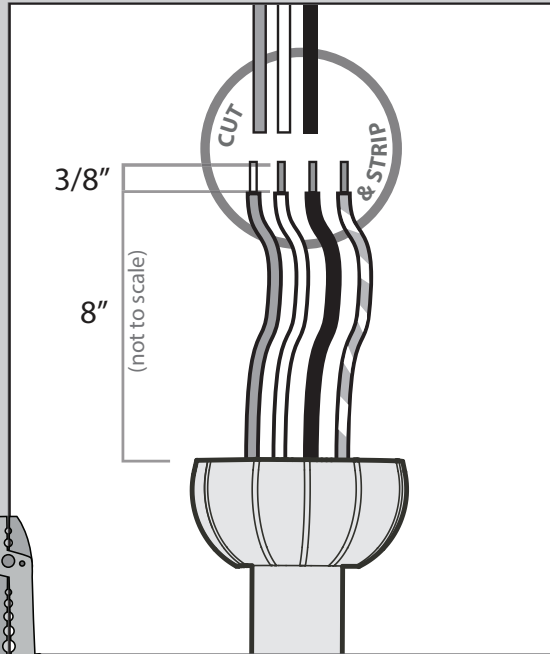


Remove the pre-installed setscrew so that the downrod can be inserted.

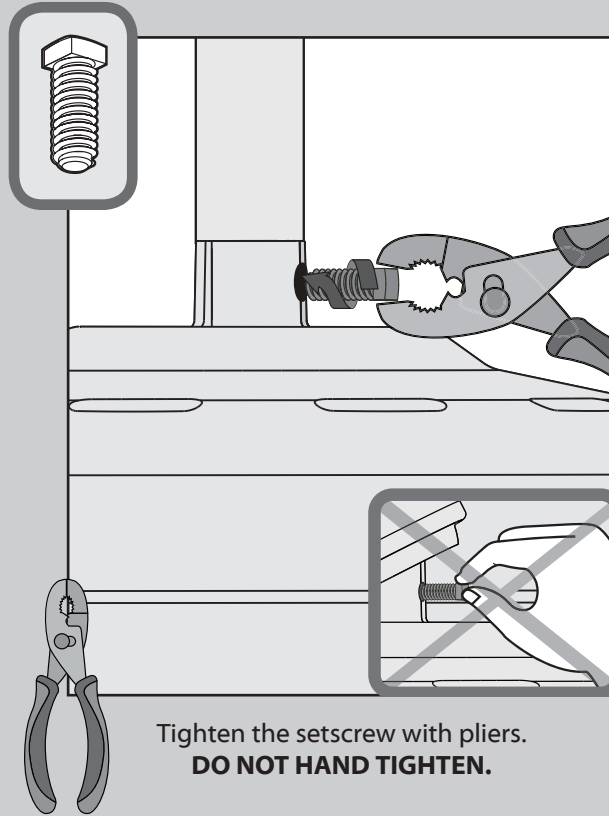


Hand tighten the downrod (at least 4-5 full turns) until it stops.

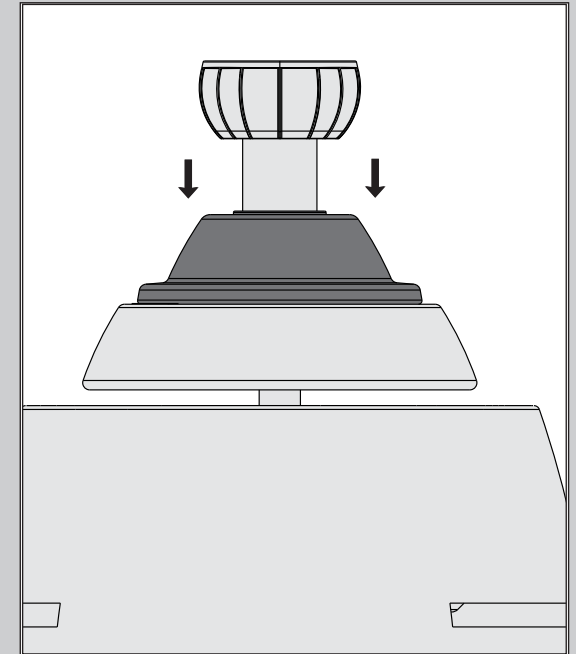
Note: The adapter cover is not used for low-profile mounting.



The wires can be cut, but leave at least 8" extending from the top of the downrod.



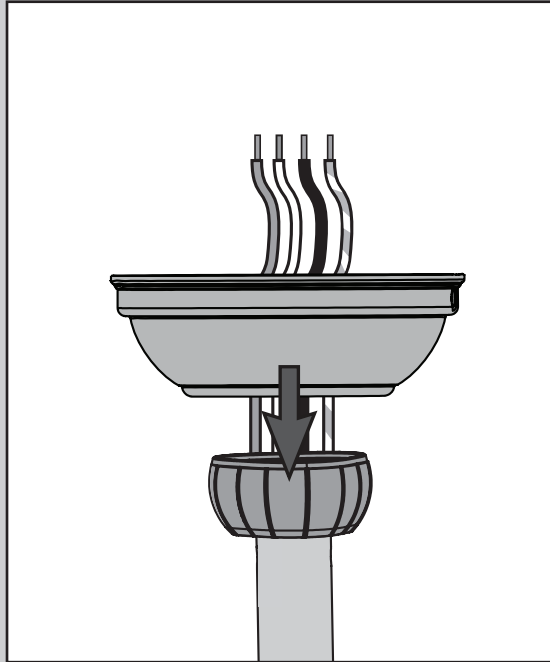
Tighten the setscrew with pliers.
DO NOT HAND TIGHTEN.



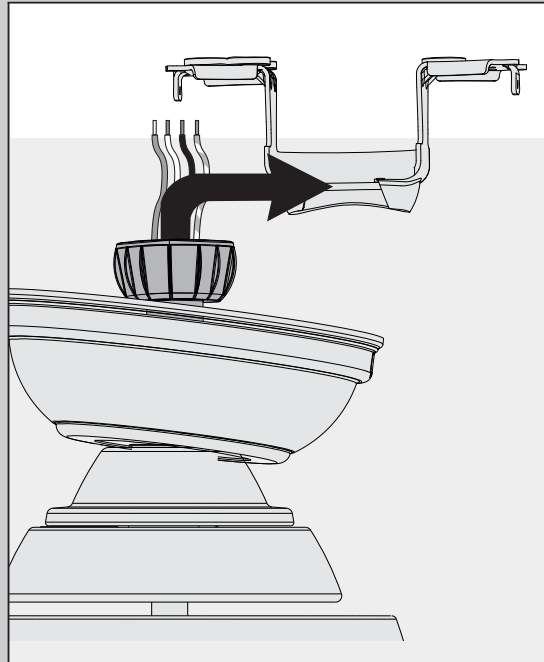
Lower the adapter cover until it rests flush against the motor housing.



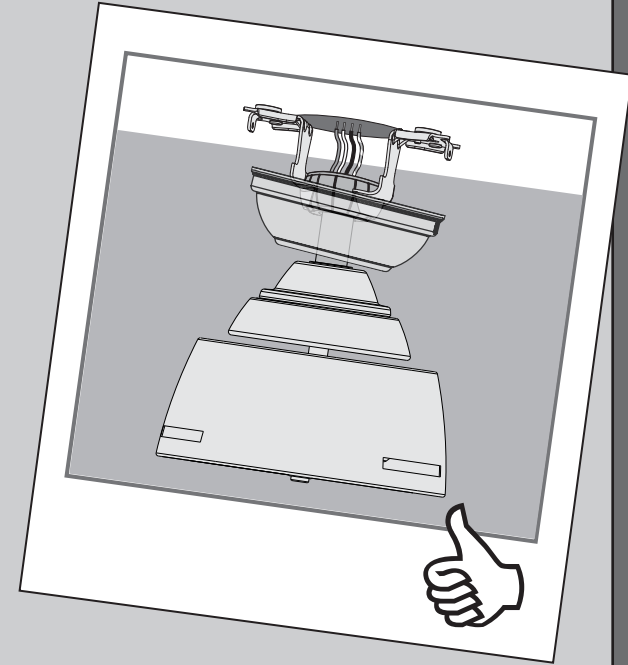
If the setscrew is not tightened securely, the fan may fall.

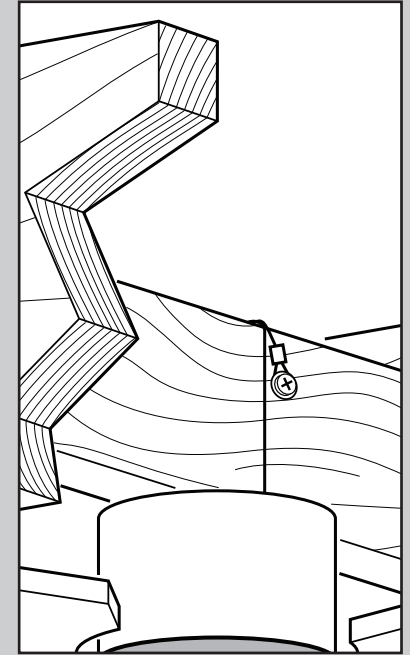
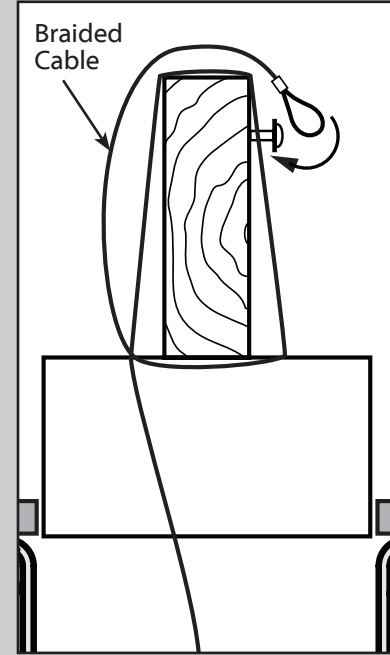
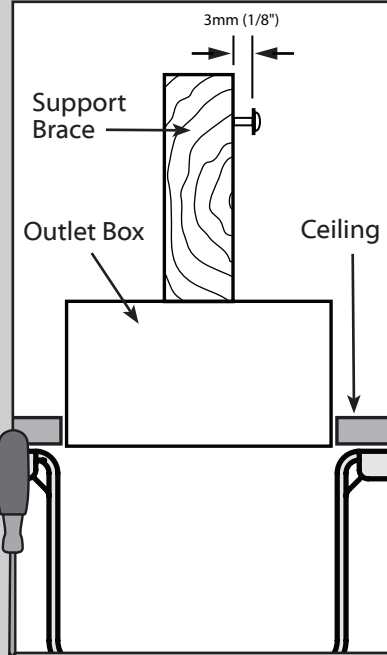
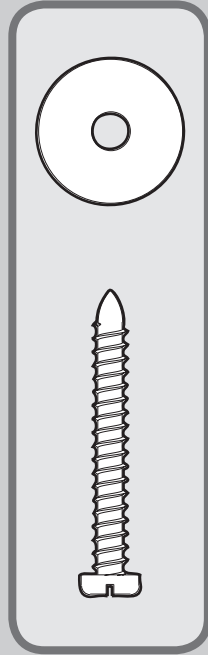
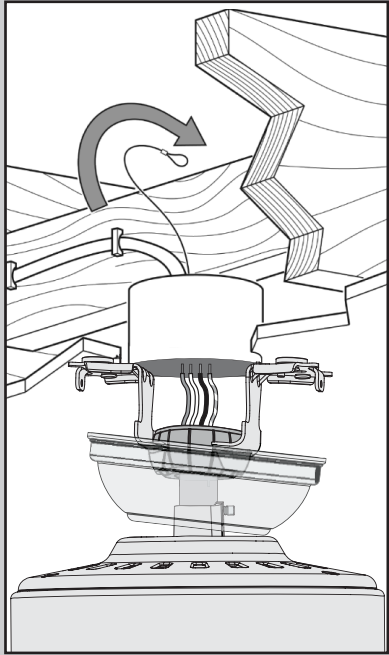


Put the wires and downrod through the canopy. Let the canopy sit loosely on top of the fan.

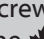


DO NOT PICK THE FAN UP BY THE CANOPY OR WIRES. Place the downrod ball into the slot in the ceiling bracket.





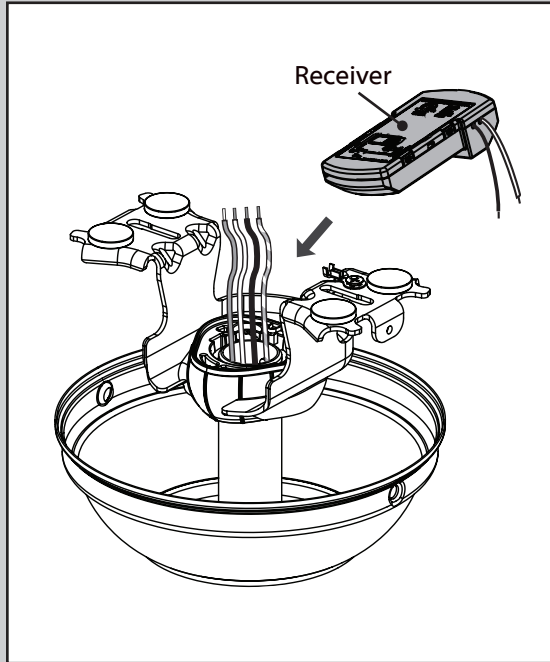
Insert the looped end of the braided cable through the ceiling bracket and one of the holes in the outlet box into the ceiling. Access the support brace in the ceiling. You may not be able to do this from below the ceiling depending on your installation site.

⊗ Drive the wood screw and washer found in the  bag into the side of the support brace that holds the outlet box. Leave 3 mm (1/8") of space between the support brace and the washer.

Wrap the braided cable around the support brace once creating a complete circle. Hook the looped end of the cable over the wood screw so that the cable lies between the washer and the support brace.

Tighten the loop and secure the screw and washer all the way down to the support brace. Coil up the excess cable.

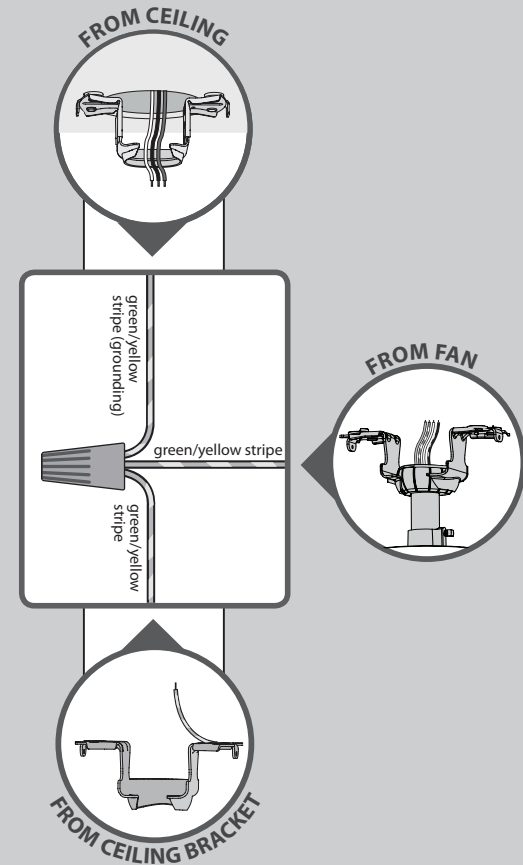
Note: To connect the wires, hold the bare metal leads together and place a wire connector over them, then twist clockwise until tight.



Place the receiver on top of the downrod assembly as shown.

Tip: If you have difficulty fitting the receiver into place, make sure you have cut the excess wires from the fan. See the Downrod section for more details.

Using an orange wire connector from the ★ hardware bag:
Connect the 3 grounding wires (green, green/yellow stripe, or bare copper) coming from the ceiling, downrod, and ceiling bracket.



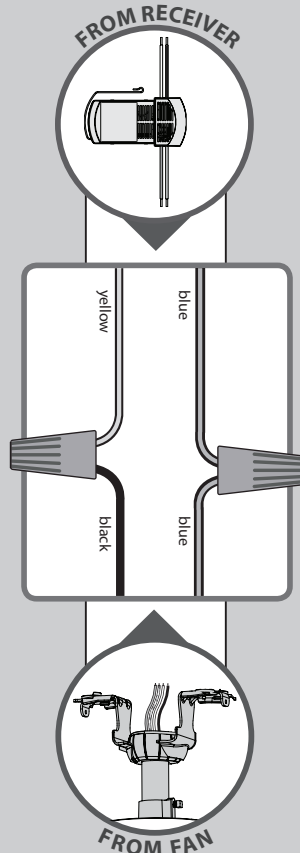
Turn the splices upward and push them carefully back through the hanger bracket into the outlet box. Spread the wires apart, with the grounded wires on one side of the outlet box and the ungrounded wires on the other side of the outlet box.

Refer to CAUTION c.1 on pg. 2

Note: If you have a dual switch, please cap the secondary power wire from the ceiling. This will result in one unused switch.

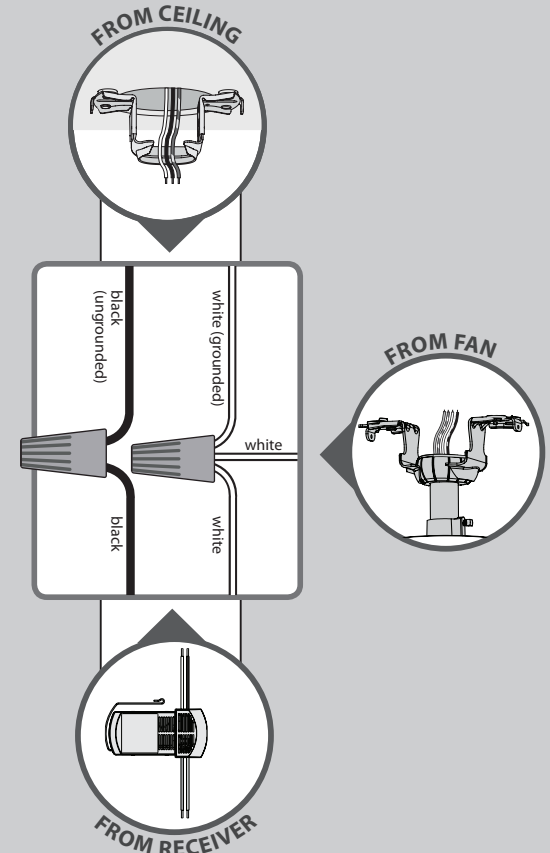
Using the orange wire connectors from the remote control hardware bag:

- Connect the yellow wire from the receiver to the black wire from the fan.
- Connect the blue wire from the receiver to the blue wire (or possibly black with white stripe wire) from the fan.



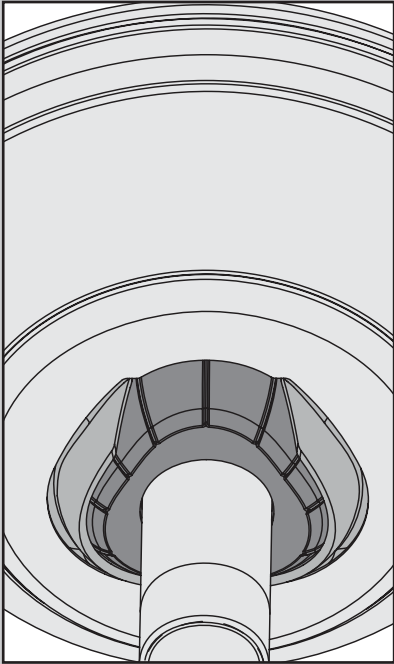
Using the orange wire connectors from the ★ hardware bag:

- Connect the black (ungrounded) wire from the ceiling to the black wire from the receiver.
- Connect the white (grounded) wire from the ceiling to both the white wire from the receiver and the white wire from the fan.

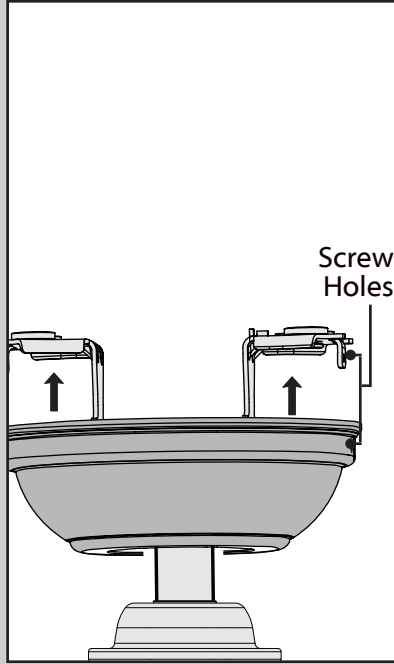


Refer to CAUTION c.1 on pg. 2

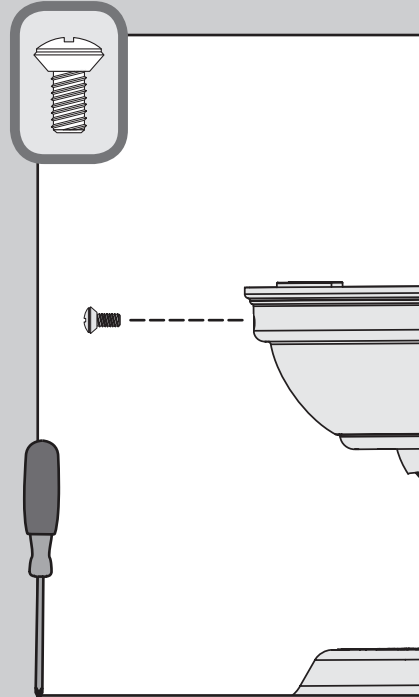
Turn the splices upward and push them carefully back through the hanger bracket into the outlet box. Spread the wires apart, with the grounded wires on one side of the outlet box and the ungrounded wires on the other side of the outlet box.



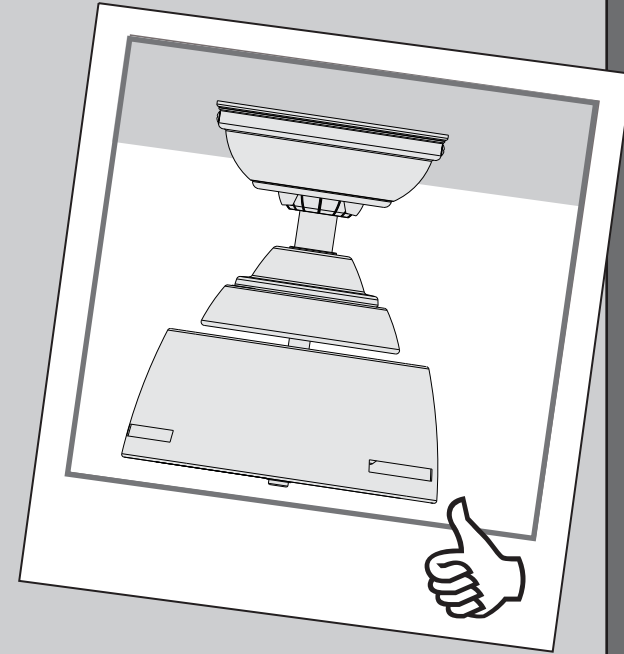
Position the canopy so that, when lifted into place, the canopy fits into the hanging bracket as shown.



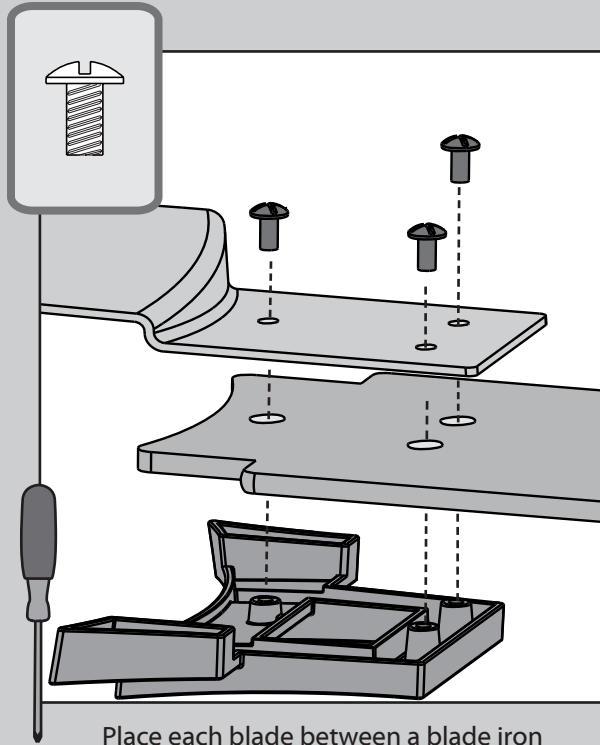
Lift the canopy into place so that the screw holes are aligned.



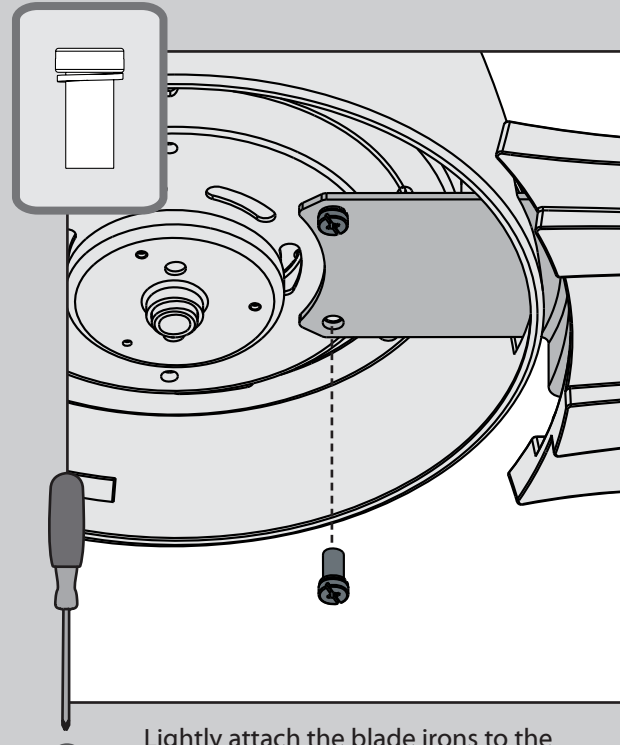
✘ Insert the two canopy screws found in the ● hardware bag.



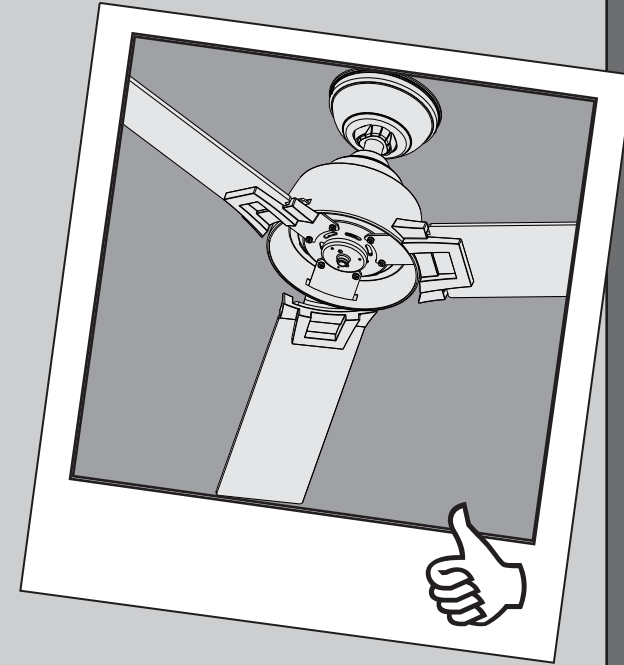
Note: Fan style may vary.

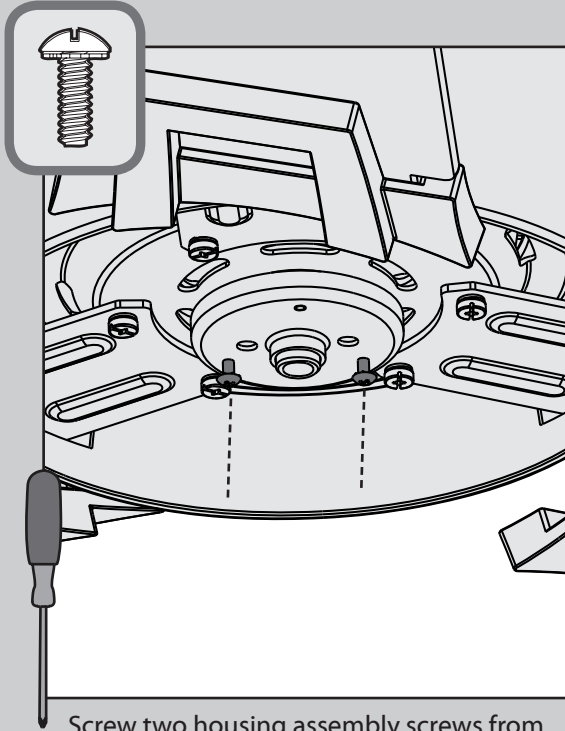


⊗ Place each blade between a blade iron and medallion. Install three blade screws, found in the ▲ hardware bag, to attach the medallion to the blade iron. Repeat this step for each blade.

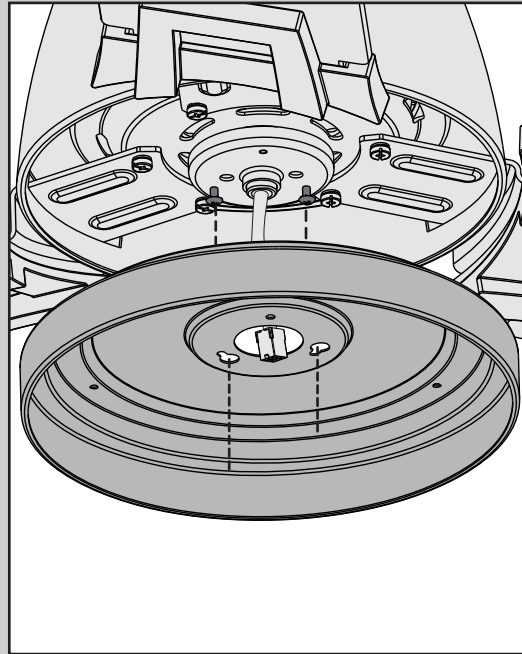


⊗ Lightly attach the blade irons to the motor with screws found in the ☒ hardware bag, then securely tighten after both screws are attached. Repeat this step for each blade assembly.

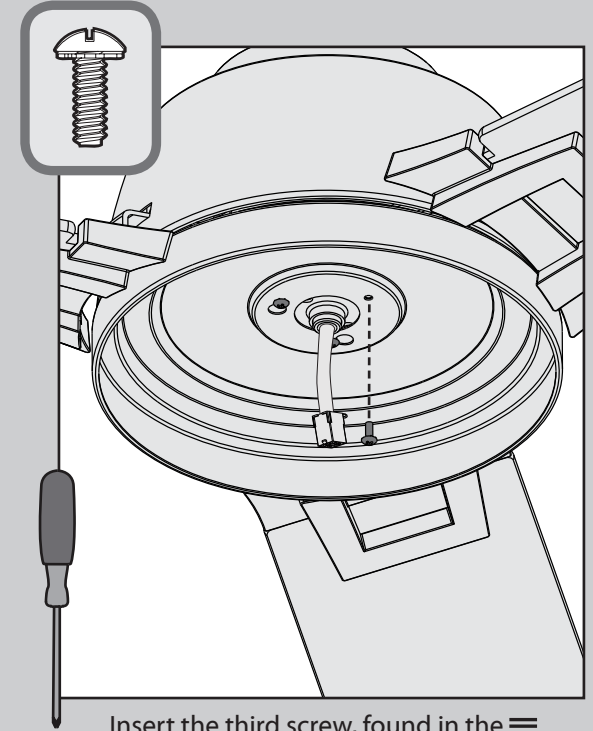




⊗ Screw two housing assembly screws from the ≡ hardware bag halfway into the motor housing. It does not matter which two screw holes you choose.



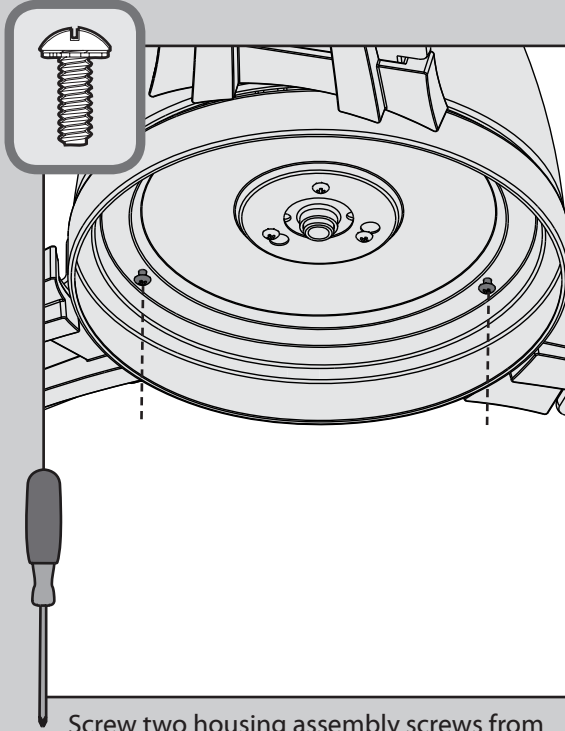
Feed the wire plug through the center hole of the upper switch housing, then wrap keyhole slots around the screws and twist counterclockwise.



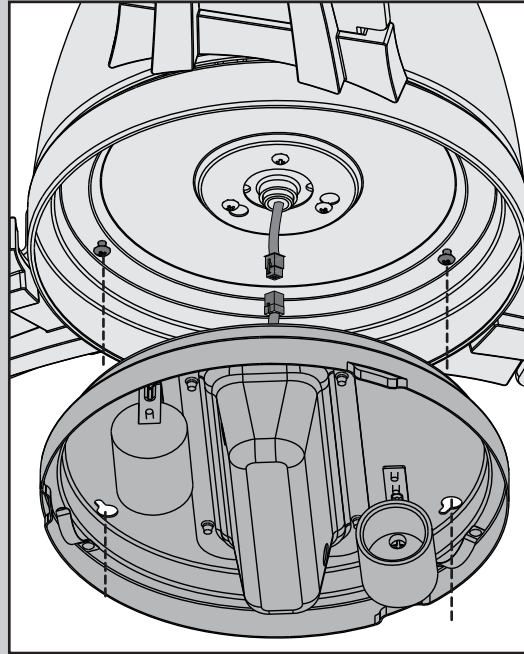
⊗ Insert the third screw, found in the ≡ hardware bag, into place and then tighten all three screws.

Make sure the upper switch housing is securely attached to the mounting plate. Failure to properly secure all 3 assembly screws could result in the switch housing fixture falling.

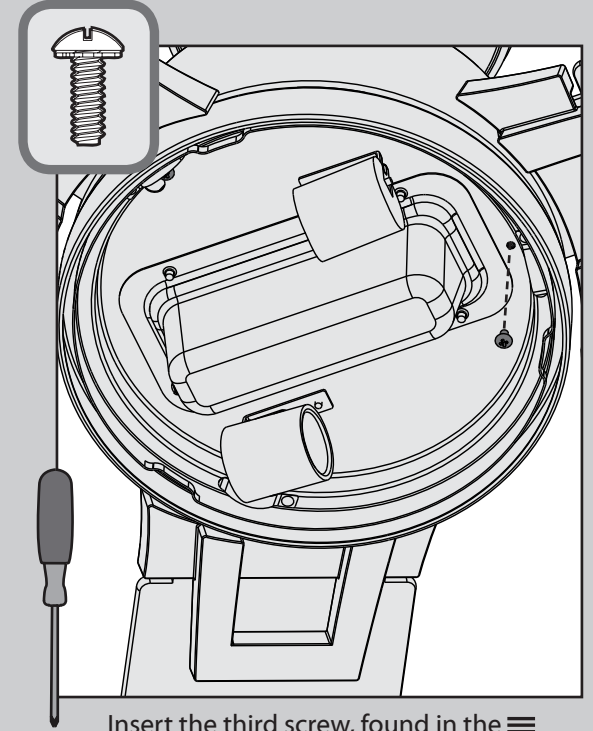




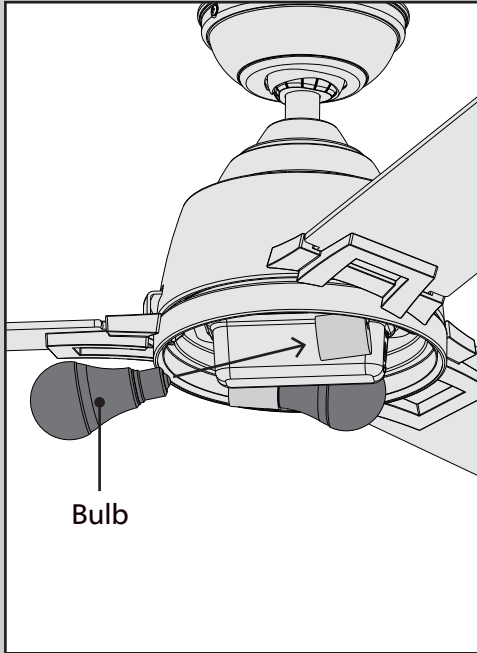
⊗ Screw two housing assembly screws from the ≡ hardware bag halfway into the upper switch housing.



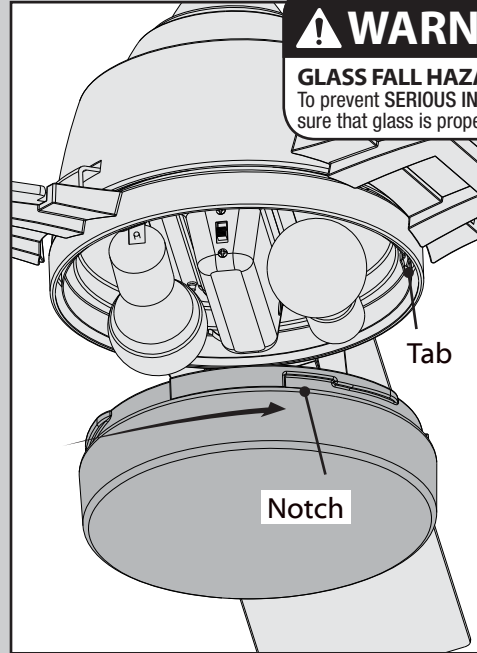
Connect the plugs from the upper and lower switch housings. Make sure to line up the colored markings on the connectors. Wrap light kit keyhole slots around the screws and twist counterclockwise.



⊗ Insert the third screw, found in the ≡ hardware bag, into place and then tighten all three screws.



Install a light bulb in each socket.
When necessary, replace with bulbs of
the same wattage.



! WARNING

GLASS FALL HAZARD
To prevent **SERIOUS INJURY** or **DEATH**, make
sure that glass is properly secured.



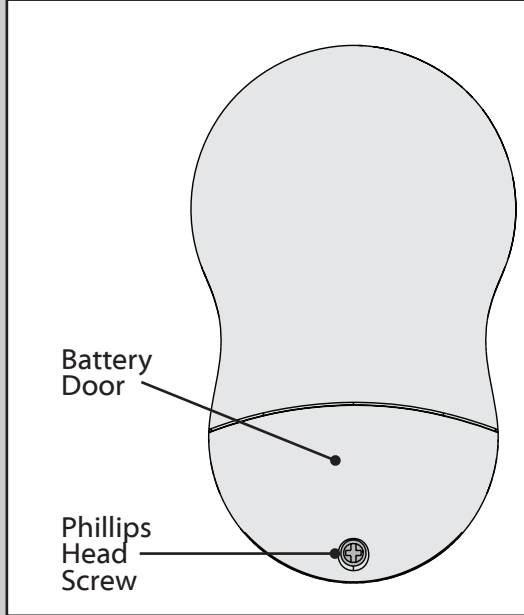
Position the notches in the outer rim of the
globe so they line up with the tabs on the
inside surface of the light fixture rim.
Carefully lift the globe up inside the light
fixture as far as it will go. Rotate the globe
in a clockwise direction until it is held
tightly in place by the three tabs.

NOTE: Check to ensure proper engagement

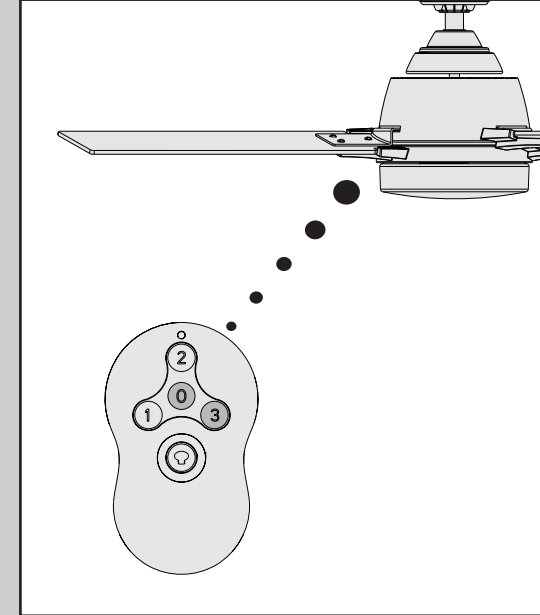
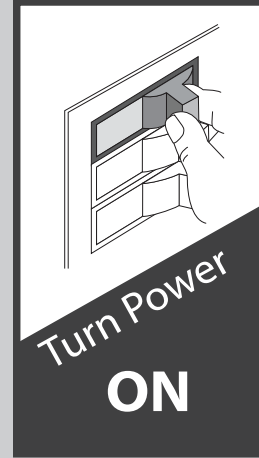


**See next page for fan
operation instructions.**



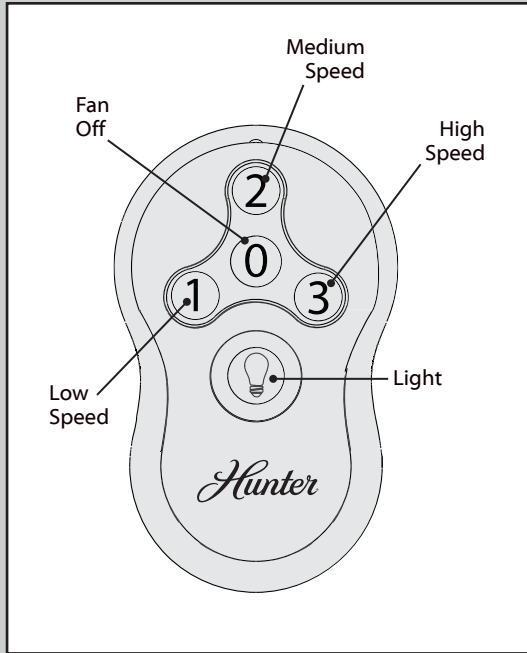


To access the battery compartment, remove the small Phillips head screw that secures the battery door to the transmitter assembly. The battery should be installed with the positive (+) side up. Replace with a CR2032 battery when necessary.

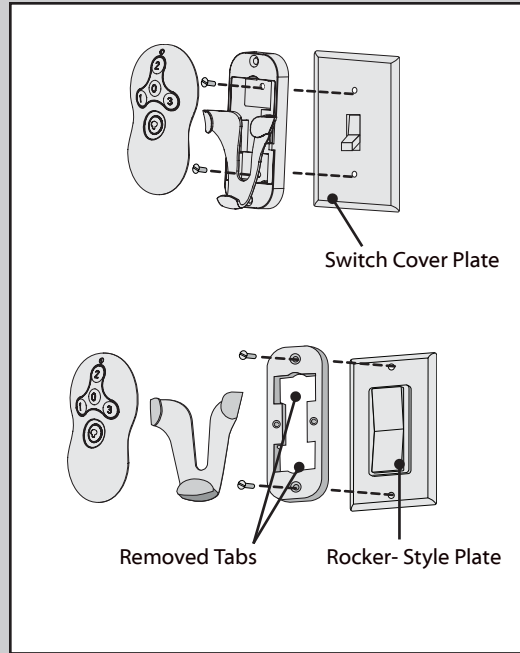


The remote transmitter should already be paired to the receiver and ready to use.

Note: If your need to pair your remote, turn fan power off and back on at the wall switch. Within 3 minutes, press and hold both the Fan Off button and the High button for 4 seconds to pair the remote. **To prevent faulty operation, please ensure all other ceiling fans within range are turned off at the wall switch while pairing.**

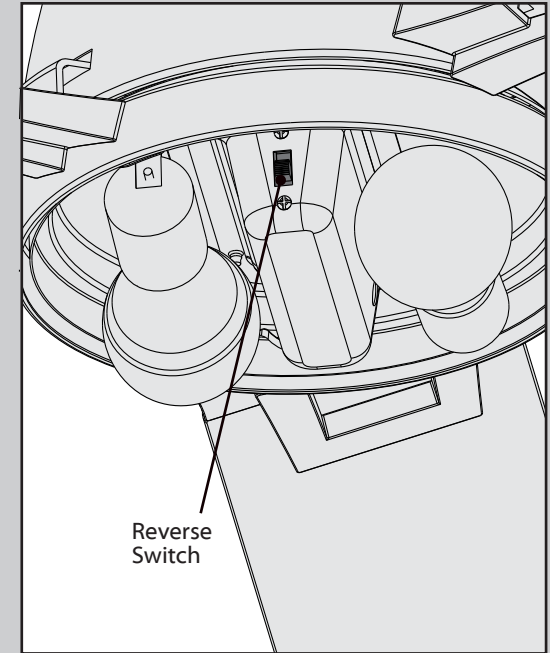


To turn on fan, press a fan speed button. Speeds range from off (0) to high (3). Quickly press the Light button to turn the lights off and on.

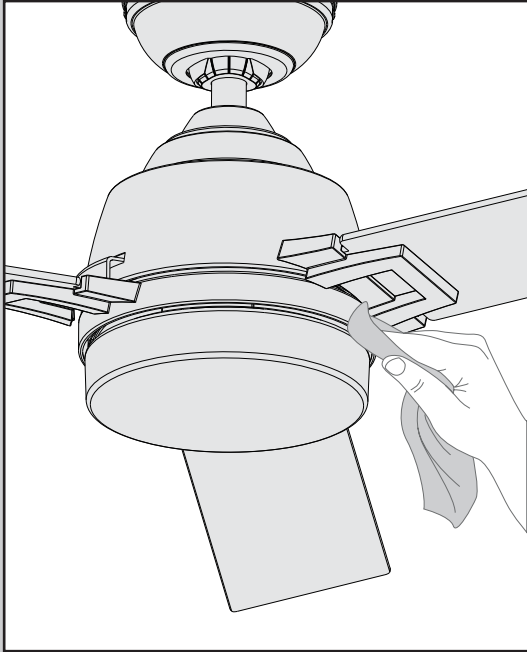


To install the transmitter cradle, remove the two screws holding the switch cover plate. Do not remove the cover plate. Orient the cradle by lining up the two mounting holes with those on the cover plate. Insert and tighten the screws. Do not over tighten.

Note: For rocker-style cover plates, break off the tabs by pushing outward.



To switch the direction of air flow, move the reverse switch to the opposite position. You will need to remove the glass to do so.



For cleaning the fan, use soft brushes or cloths to prevent scratching. Cleaning products may damage the finishes.

Safe-Exit

The Safe-Exit Program gives you about thirty seconds of light when you turn the lights off to exit the room before the lights go out. To use Safe-Exit:

- Press the Fan Off button for at least three seconds to initiate the Safe-Exit Mode.
- The lights will flash for visual confirmation.
- The lights will stay on 50% brightness for 15 seconds and then begin to dim. After a total of 30 seconds, the lights will be completely off.

Note: For CFL lighting, the lights will stay on 100% brightness for 30 seconds. After a total of 30 seconds, the lights will be completely off.

Fan doesn't work

- Make sure power switch is on.
- Pull the pull chain to make sure it is on.
- Push the motor reversing switch firmly left or right to ensure that it is engaged.
- Check the circuit breaker to ensure the power is turned on.
- Make sure the blades spin freely.
- Turn off power from the circuit breaker, then loosen the canopy and check all the connections according to the wiring diagram on pages 10-11.
- Check the plug connection in the switch housing.

Excessive wobbling

- Tighten all of the blade and blade iron screws until they are snug.
- Turn the power off, support the fan carefully, and check that the hanger ball is properly seated.
- Use the provided balancing kit and instructions to balance the fan.

Noisy Operation

- Tighten the blade and blade iron screws until they are snug.
- Check to see if any of the blades are cracked. If so, replace all of the blades.

Remote control of fan is erratic

- Make sure the battery is installed correctly.
- Install a fresh battery.

If you have multiple remotes or multiple remote-controlled fans installed on the same circuit breaker and you are experiencing interference or faulty operation of your remote controls, please go to www.HunterFan.com/FAQs and click "How do I properly install multiple remote-controlled fans?" for information on how to correct this issue.