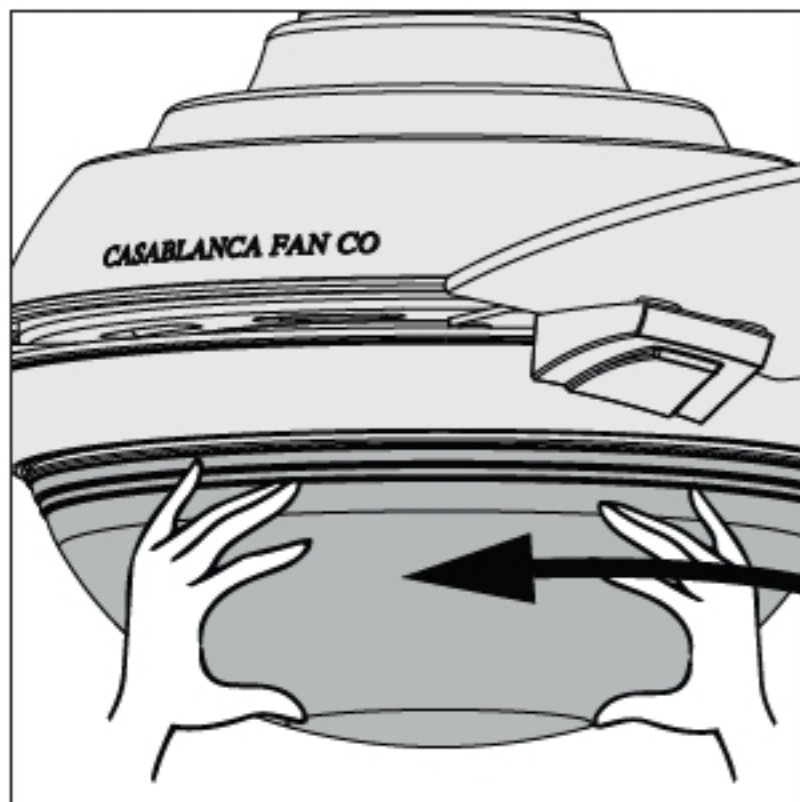
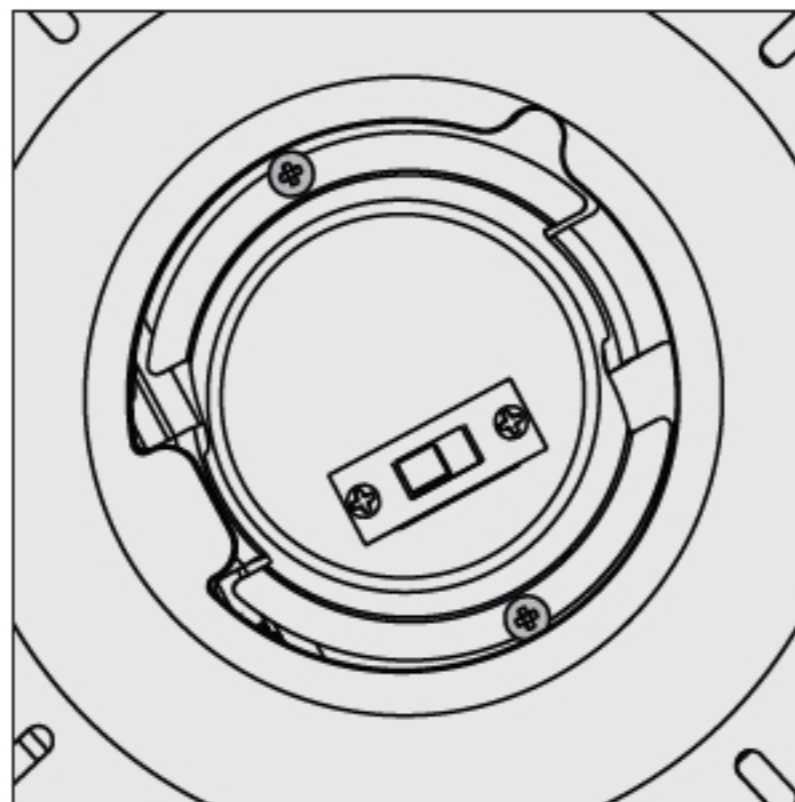


Verse Service Kit Instructions

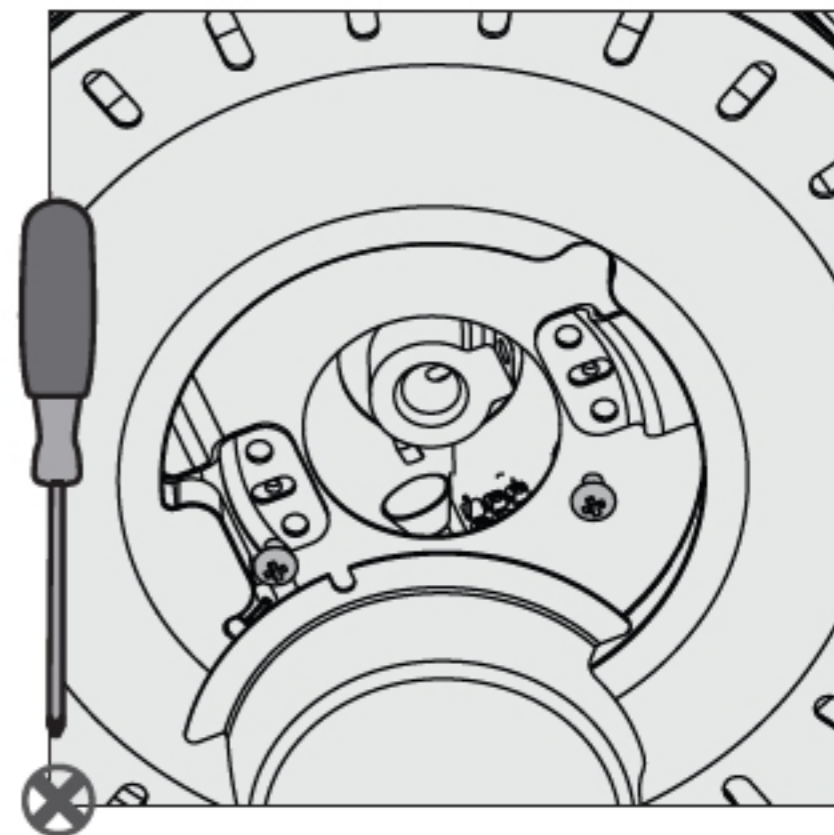
Removing Your Existing Light Kit



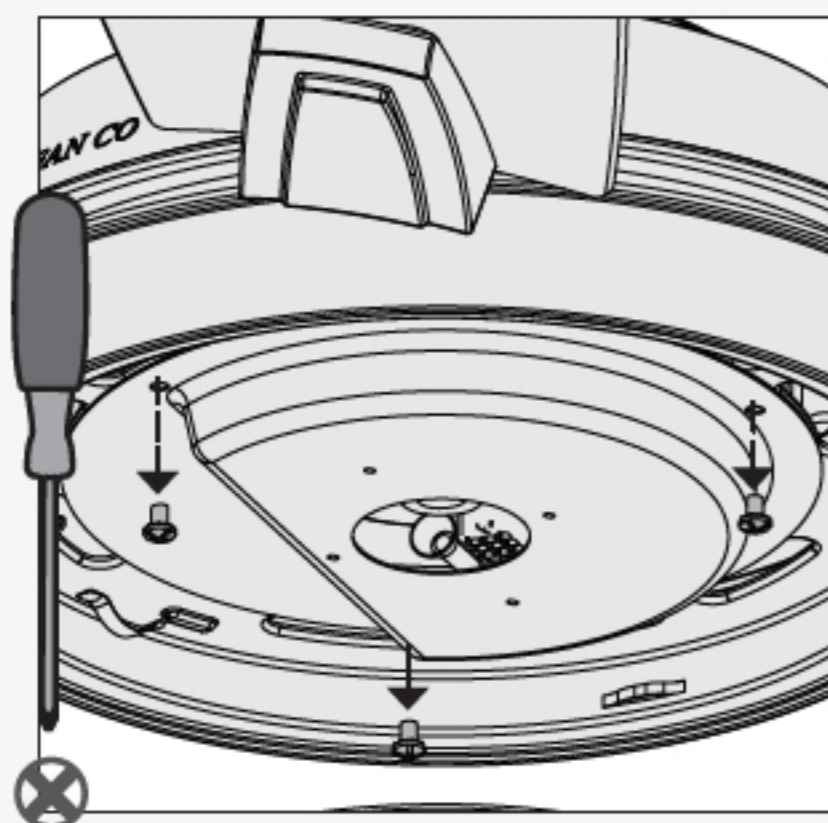
Remove the globe by lifting and turning counterclockwise one third of a full turn of the glass. Cautiously lower the glass and set aside.



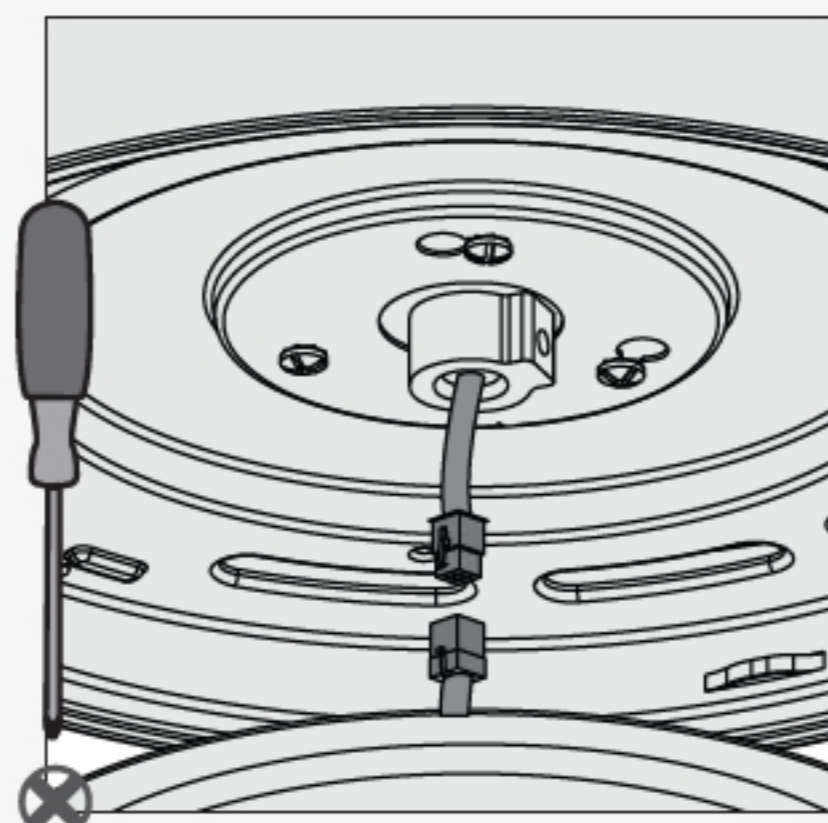
Remove the switch housing cap by removing the two light kit assembly screws. Set aside the components.



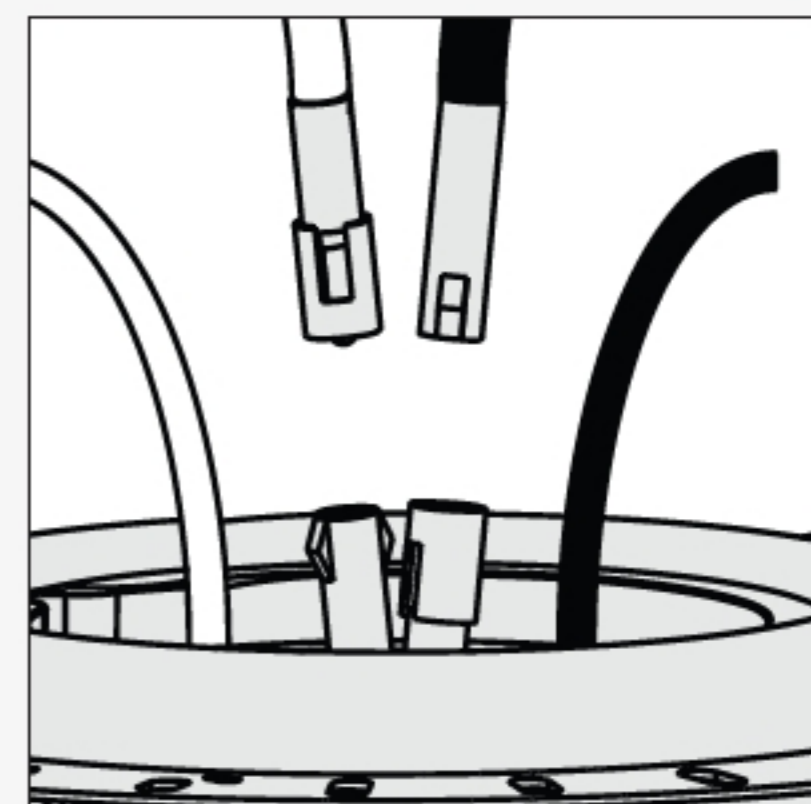
Remove the LED assembly by removing the two light kit assembly screws. Set aside the components.



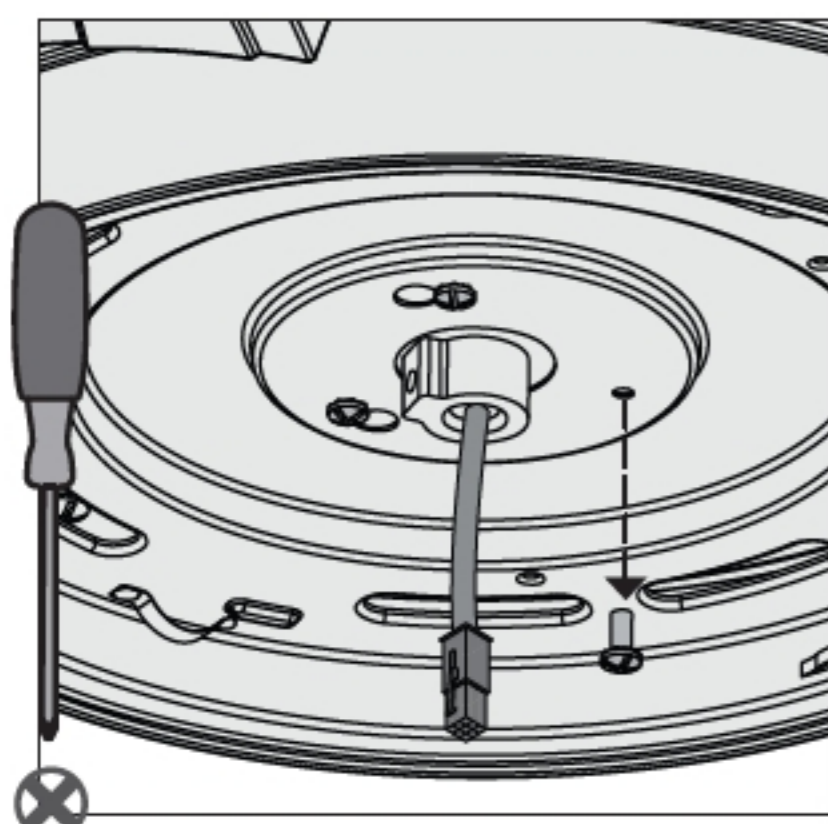
Remove the three lower switch housing screws to remove the lower switch housing. Set aside the components.



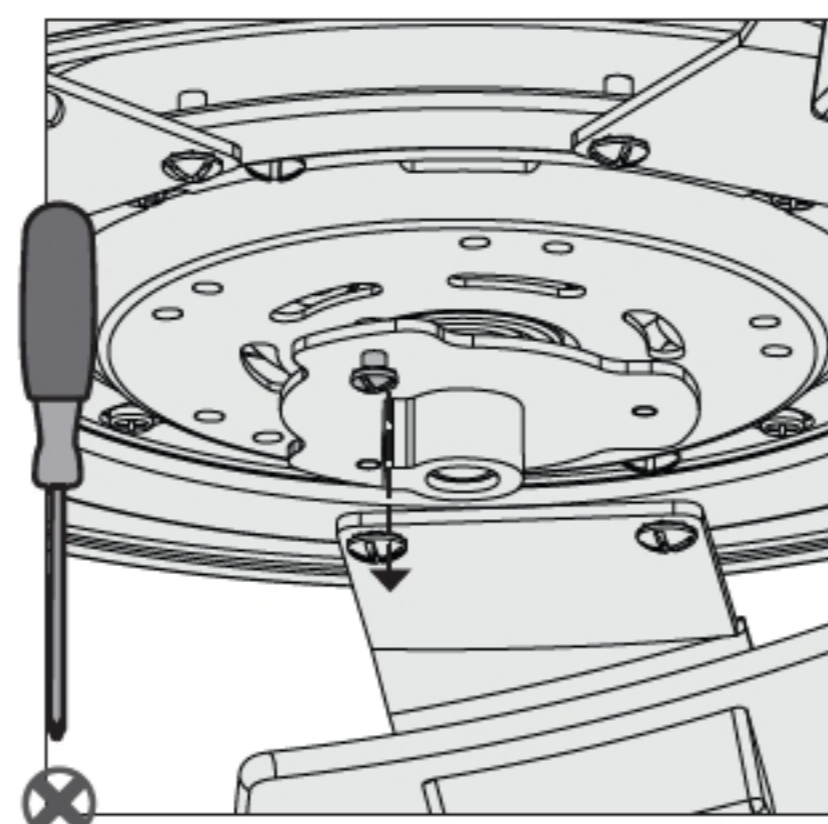
Disconnect the plugs.



Disconnect the pin connectors from the switch housing and the LED assembly. Set aside the components.



Remove the screw from the non-keyholed slot. Rotate the switch housing clockwise and remove. Set aside the components.



Remove the remaining two screws..



DISCARD ALL COMPONENTS.
You will replace all components with new hardware.