

4 Light Accessory Fitter


Models 99384, 99385, 99386, 99387

Weight ± 2 lbs: 4.8 lbs (2.2 kg)

READ AND SAVE THESE INSTRUCTIONS

This product conforms to UL Standard 507.

CAUTIONS

- c.1 - To reduce the risk of electric shock, disconnect the electrical supply circuit to the fan before installing the light kit.
- c.2 - To reduce the risk of fire and electric shock, this light kit should be used only with the fan models listed above.
- c.3 - All wiring must be in accordance with national and local electrical codes ANSI/NFPA 70. If you are unfamiliar with wiring, use a qualified electrician. 

ONE YEAR WARRANTY

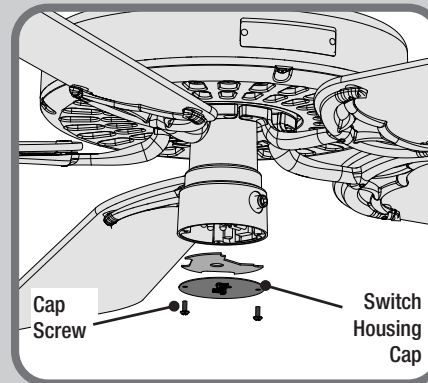
This product is warranted to the original purchaser by Hunter Fan Company against defects in material and workmanship for one (1) year from date of purchase. During the warranty period, we will repair or, at our option, replace a defective product at no charge. For information on how to obtain service, contact the Hunter Service Department by calling our toll-free number at 888-830-1326. Damage to the product caused by mishandling, improper installation or modification is not covered by this warranty. This warranty is given in lieu of all other warranties expressed or implied. Some states do not allow limitations of time on an implied warranty, therefore the above limitations may not apply in every case. This warranty states specific legal rights which may vary from state to state.

**START
HERE**

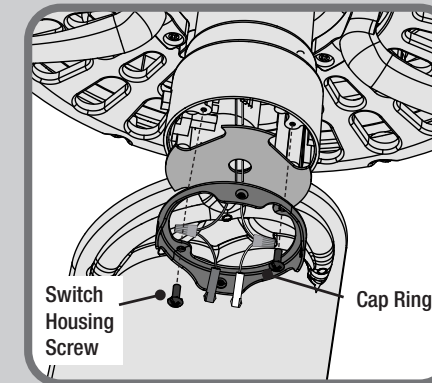
Read entire
installation
instructions carefully
before beginning
installation and save
these instructions.

Light kit style may vary.

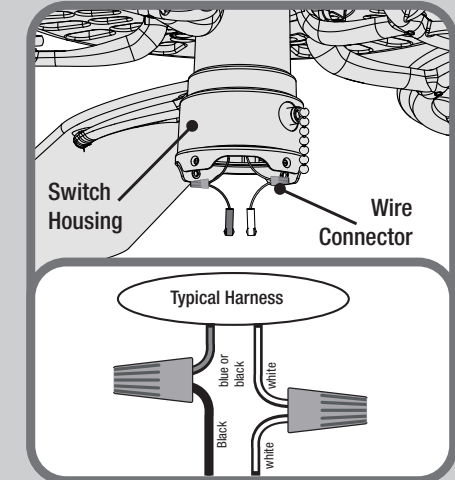
Turn Power
OFF



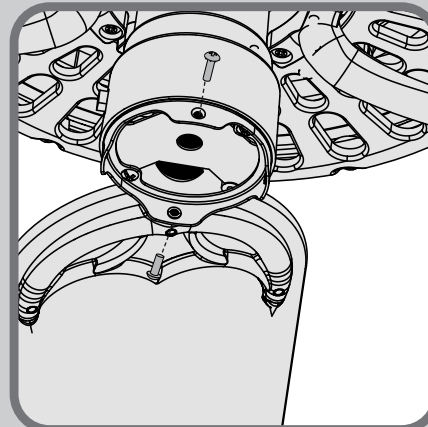
Remove the switchhousing cap screws with a Phillips head screwdriver. Remove the insulator and set aside. You will need this again for installing the light kit.



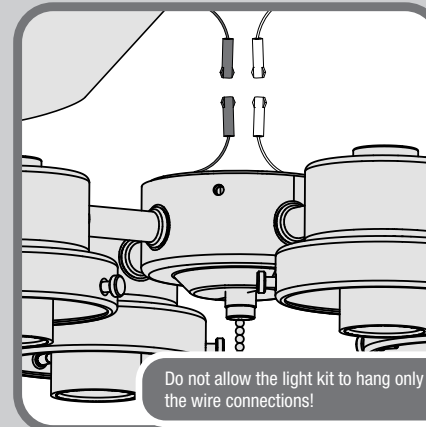
Insert the insulator back into the switch housing while passing the wires from the fan through the center hole. Lift the cap ring and align the holes with the switch housing screw holes. Attach cap ring to switch housing with switch housing screws.




Using the provided wire connectors connect the white wire from the fan to the white wire from the wire harness and connect the black or blue wire from the fan to the black wire from the wire harness.

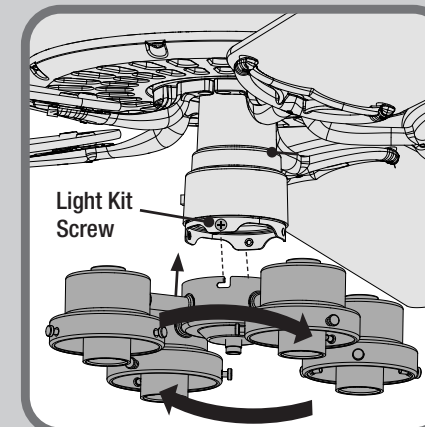


Preinstall two light kit screws into the cap ring using any two opposing holes. It does not matter which two you choose.

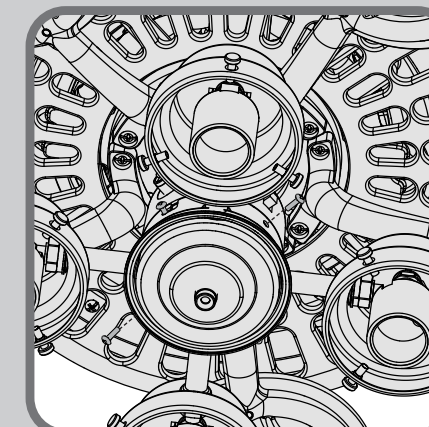


Do not allow the light kit to hang only by the wire connections! 

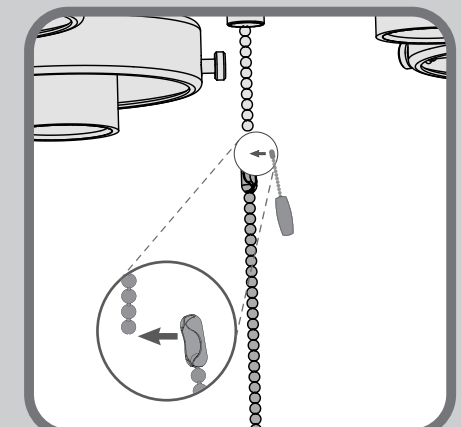
Using the single pin connectors, connect the black or blue wire from the fan to the black wire from the light kit. Connect the white wire from the fan to the white wire from the light kit.



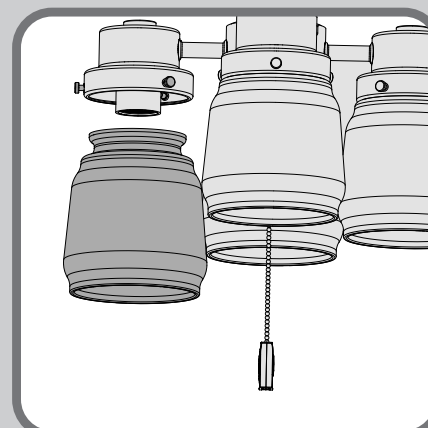
Align the notches in the sides of the light kit assembly with the screws on the upper switch housing. Twist the light kit assembly clockwise to lock into place.



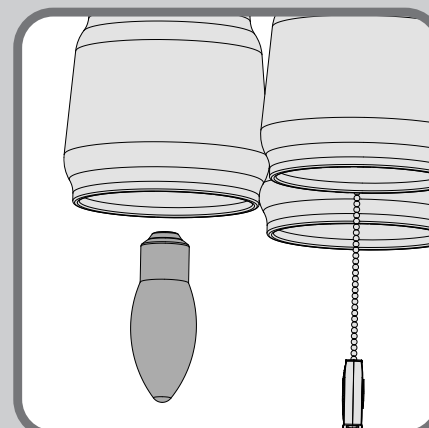
Install the final light kit screws in the remaining holes. Tighten all four screws securely.



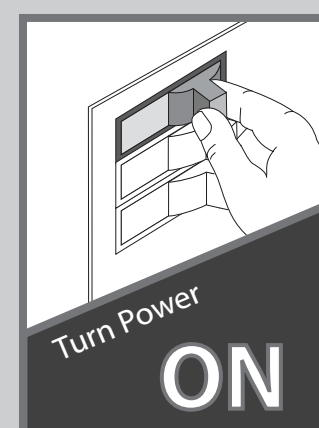
Installing the Pull chain pendant - Attach the pull chain pendant to the end of the short chains coming from the light kit.



To install the shade, first loosen the thumb screws. Raise the shade to the light fixture. Tighten all thumbscrews securely.



Install a bulb into each of the sockets. When necessary, replace with bulbs of same wattage.



Turn Power
ON

TROUBLESHOOTING

Lights don't come on.

- Make sure that the bulbs are properly installed.
- Make sure power switch is on.
- Pull the pull chain to make sure it is on.
- Check the circuit breaker to ensure the power is turned on.
- Check the pin connections in the light kit.
- Refer to the fan manual for locating the fan's wiring. Verify that the light and power wires are correctly connected to the ceiling and the light kit.

If you have problems installing or operating your light kit, do not return this product to the dealer. Call our Consumer Affairs Hotline.

888-830-1326

Improper installation could cause the light fixture to fall, or result in electrical shock or personal injury. 