

IMPORTANT: READ AND SAVE THESE INSTRUCTIONS

READ CAREFULLY BEFORE ATTEMPTING TO ASSEMBLE, INSTALL, OPERATE OR MAINTAIN THIS PRODUCT.
FAILURE TO COMPLY WITH INSTRUCTIONS COULD RESULT IN PERSONAL INJURY AND/OR PROPERTY DAMAGE!



MODEL #JF-12F / 18F

12" or 18" FLOOR/BENCH AIR CIRCULATOR COMPLETE WITH WALL/CEILING BRACKET

It is important that the following safety precautions be followed when using this product:

- **ALWAYS** unplug unit for cleaning or maintenance.
- **ALWAYS** unplug when moving unit from one location to the next.
- **ALWAYS** only plug the three-prong plug into a matching three-conductor grounded wall outlet.
- **DO NOT** use the three-prong plug with a two-prong adapter.
- **DO NOT** place foreign objects through guards into blade.
- **DO NOT** allow unit to become wet or damp.

WARNING: To avoid risk of fire or electrical shock. DO NOT use this fan with any solid state speed control device such as a dimmer switch.

OPERATING INSTRUCTIONS:

This product is intended for indoor use only. Simply plug the fan into a 115 volt, 60 HZ, grounded wall outlet and select one of three speeds.

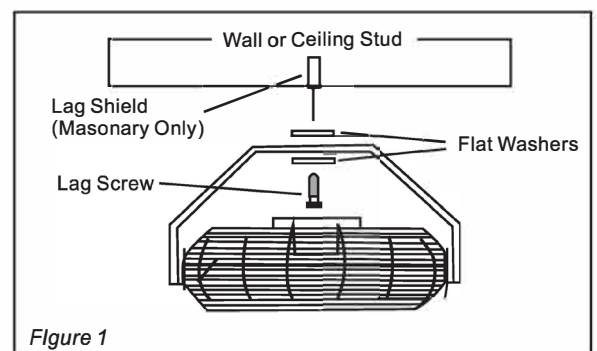
WALL/CEILING INSTALLATION:

WARNING: To keep fan from falling, from any cause, in an overhead mount application, it is strongly recommended that a Safety Cable be installed. Safety Cable must be fed through the handle on the rear guard, then clamp or otherwise fasten to a secure building joist, beam or other support. Take up all excess slack in the Cable, making sure there is no part of the Cable that may interfere with the Blade. For optional Safety Cable Kit order Model #JF-SCK.

Remove fan stand adjustment knobs and remove floor stand from the fan. Install yoke bracket included in carton by reversing this procedure.

- **WOOD STRUCTURES:** Locate the wall or ceiling stud at the desired Fan location. Attach the Fan to the stud using a 3/8" diameter x 2" long Lag Screw (Not Supplied). (Figure 1)
- **STEEL STRUCTURES:** Attach the Fan using a 3/8" bolt of the appropriate length, with a Flat Washer, Lock Washer and a 3/8" Nut (Not Supplied).
- **MASONRY STRUCTURES:** Attach Fan using a 3/8" Lag Screw, with a Lag Shield of appropriate length (Not Supplied). (Figure 1)

NOTE: IN ALL CASES, IF SMOOTH ROTATION IS DESIRED, IT IS RECOMMENDED THAT A FLAT WASHER BE PLACED ON BOTH SIDES OF THE FAN YOKE BRACKET. (Figure 1)



CLEANING/ MAINTENANCE INSTRUCTIONS:

The motor bearings are lubricated at the factory and should not require any additional lubrication.

The propeller blades must be cleaned periodically to prevent accumulated dirt from causing imbalance. Open the four quick clips located around the perimeter of the guard and remove the front guard. Use a mild detergent to clean the blade and guards. Avoid allowing the cleaner to come in contact with the motor winding or bearing. Replace the front guard and securely close the 4 quick clips. Allow fan to completely dry before use.