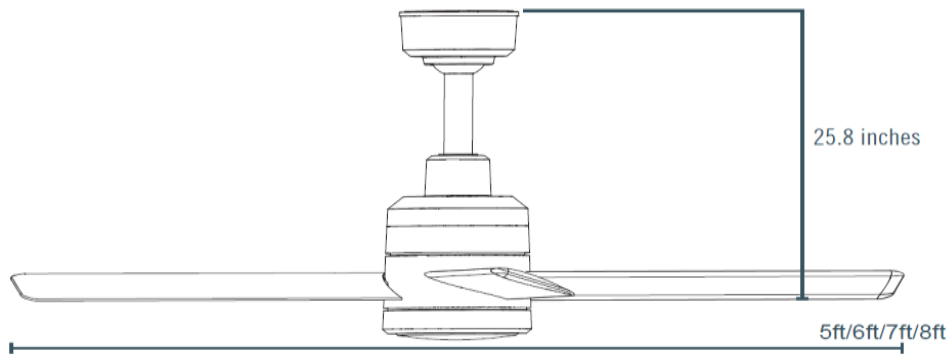


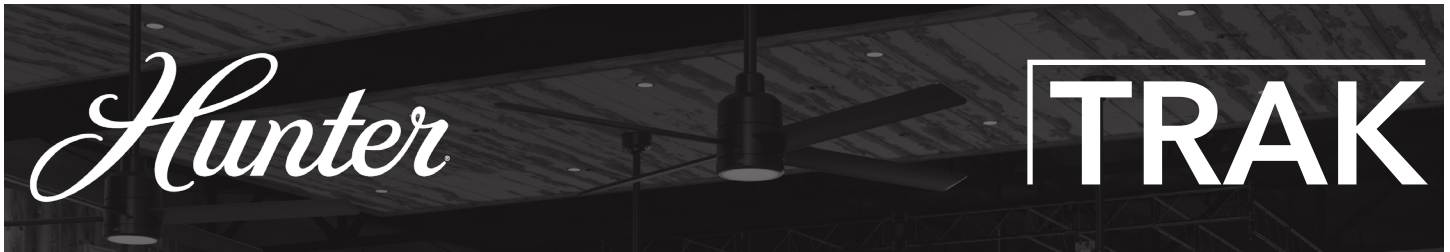


AIRFOIL DIAMETER	5ft	6ft	7ft	8ft
Airfoil Material	6061-T6 Aircraft Grade Aluminum			
Number of Airfoils	4			
Airfoil Finish Colors	Matte Black, Fresh White, Matte Silver			



PERFORMANCE	5ft	6ft	7ft	8ft
Max Speed (RPM)	195	165	142	145
Recommended Spacing (ft)	20	24	28	30
Max Affected Area (SQFT)	400	576	784	1024
Max Sound Level (dBA)	51	47	54	54
Air Volume (CFM)	12,287	16,662	19,591	24,758

HANGING REQUIREMENTS	5ft	6ft	7ft	8ft
Hanging Weight (lbs)	48	48.5	49	49.5



MOTOR	5ft	6ft	7ft	8ft
Motor Type	Reversible, 8-Speed DC Motor			
Max Power (W)	65	80	70	140

MAX AMP DRAW	5ft	6ft	7ft	8ft
120V Single Phase (A)	0.54	0.67	0.58	1.17
240V Single Phase (A)	0.27	0.33	0.29	0.58

POWER AND CONTROLS

Power Source	AC 1PH 100-120V 50-60HZ, AC 1PH 200-240V 50-60HZ
Control Options	Remote Control Included

INSTALLATION

Mounting Options	Standard/Angled
Downrod Length	11in Standard Downrod Optional downrod sizes: 24in, 36in, 48in, 60in
Motor Wiring	Pre-wired motor cables, pre-assembled downrod

LED Option

Color Temperature (K)	3,000	
Flux (Lm)	2,600	
Min Luminous Efficiency (Lm/W)	80	
Max Input Power (W)	30	
Max Input Current	120V Single Phase (A) = 0.25	240V Single Phase (A) = 0.13

RATING AND COMPLIANCE

Wash Down Duty Rating	UL 507 Wet Rated & IP45
Certifications	ETL/Intertek-certified to ANSI/UL 507 and CSA C22.2 No. 113 in North America International Low Voltage Directive: 2014/35/EU. IEC / EMC / CE
Safety Features	Safety Retention Cable
Warranty	3-Year Warranty