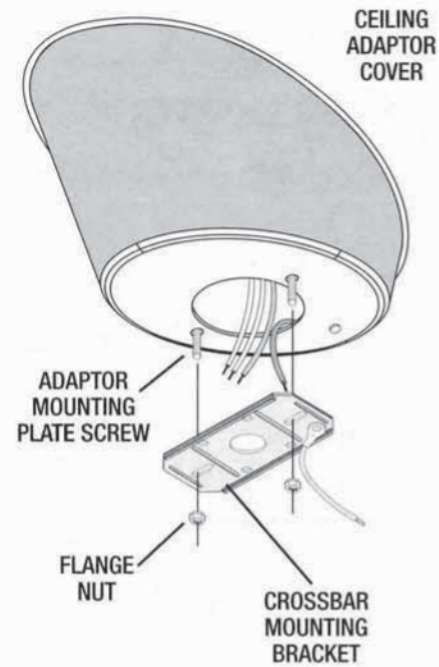


**INSTALLING THE CASABLANCA FAN MOUNTING BRACKET**

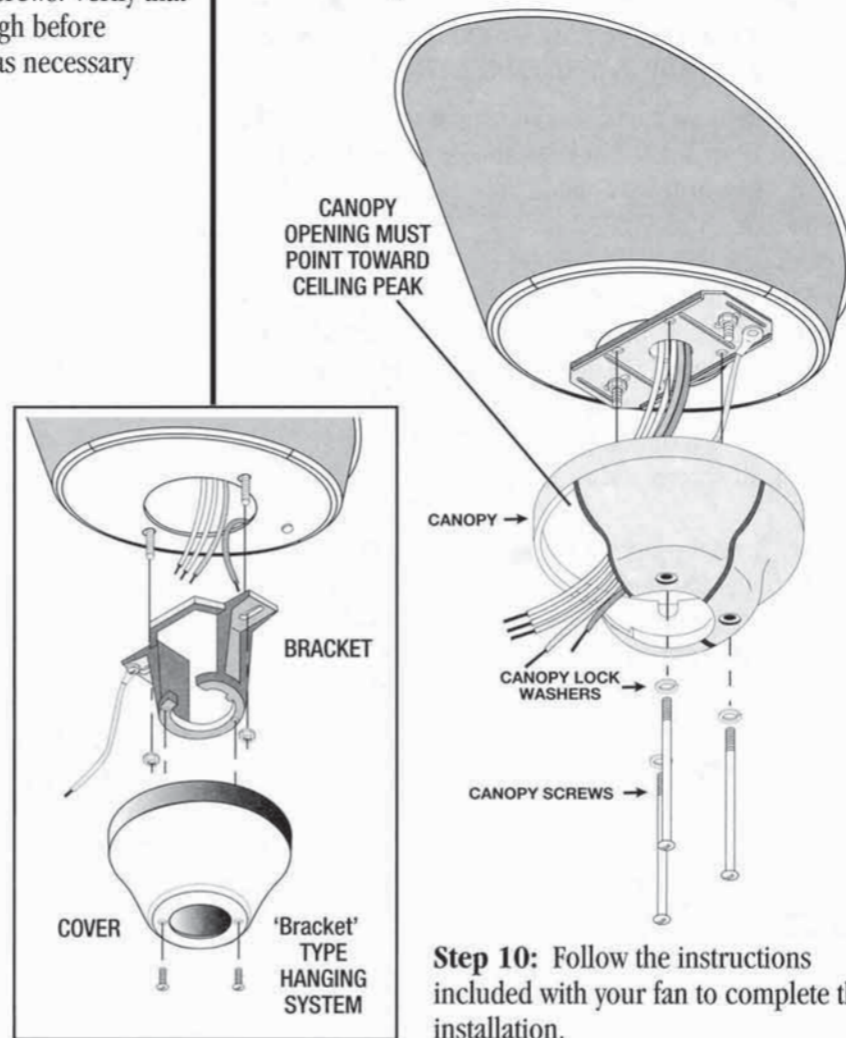
**Step 7:** Fit the ceiling adaptor cover and crossbar mounting bracket or hanging bracket onto the two screws by aligning them with the plate screws. Verify that the wires from the ceiling are long enough before installing the cover. Lengthen the wires as necessary before proceeding.



**Step 8:** Thread the two 8-32 flange nuts onto the screws protruding through the cover and mounting bracket, tighten securely. Do not over tighten.

**INSTALLING THE CASABLANCA FAN CANOPY**

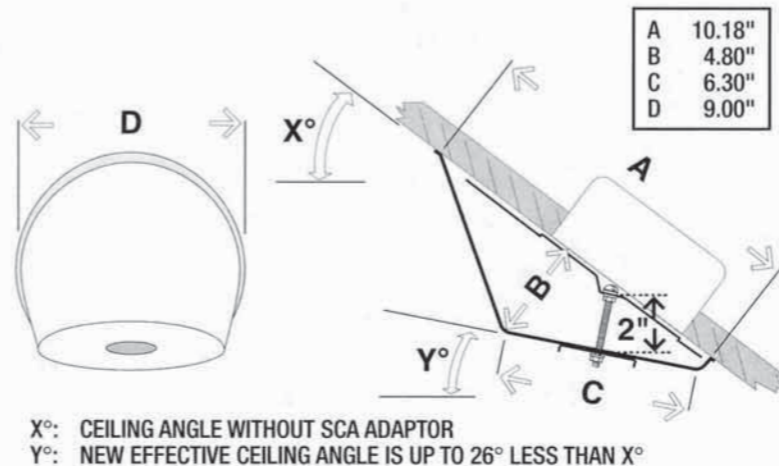
**Step 9:** Attach the canopy to the crossbar per the fan installation instructions in your Owner's Manual. Do not over tighten.



**Step 10:** Follow the instructions included with your fan to complete the installation.

**SPECIFICATIONS**

MODEL: SCA™	
FINISH:	ANTIQUE WHITE - PAINTABLE WITH ACRYLIC LACQUER AEROSOL
HANGING CAPACITY:	DEPENDENT ON CEILING BOX
UL LISTING:	JUNCTION BOX - INSTALL ONLY TO AN OUTLET BOX MARKED 'ACCEPTABLE FOR FAN SUPPORT'
ANGLE REDUCTION:	EFFECTIVE REDUCTION OF SLOPE ANGLE UP TO 26°



NOTE: THE NEW EFFECTIVE ANGLE MUST BE NO MORE THAN THE MAXIMUM ANGLE ALLOWED BY THE MANUFACTURER OF THE CEILING FAN.

**SCA™ Sloped Ceiling Adaptor**



The installation of an SCA on a sloped ceiling will effectively reduce the slope of the ceiling by 26°.

For new fans, complete Steps 1 through 10 for the SCA installation, then continue with the owners manual for your Casablanca fan.

Note: The new effective angle must be no more than the maximum angle allowed for your Casablanca ceiling fan.

**WARNING**

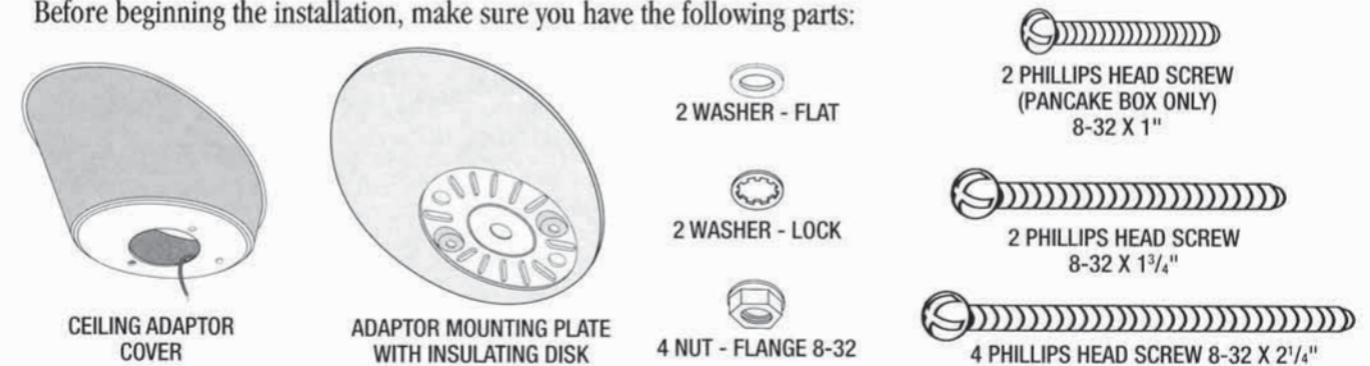
- Avoid possible electrical shock.
- All wiring must be in accordance with national and local electrical codes.
- To reduce the risk of fire, electric shock, or injury to persons, mount to outlet box marked acceptable for fan support.
- Make certain that electricity is turned off at the circuit breaker or fuse box before attempting installation.
- Make sure power is turned off before starting installation. Test by trying to operate the fan.

**PLEASE NOTE:**

1. The wires from the ceiling should be at least 8" long, this may require splicing onto the existing wires. (Step 8)
2. The orientation of the adaptor plate is important for the maximum reduction of the slope. (Step 6)

**GETTING STARTED**

Before beginning the installation, make sure you have the following parts:

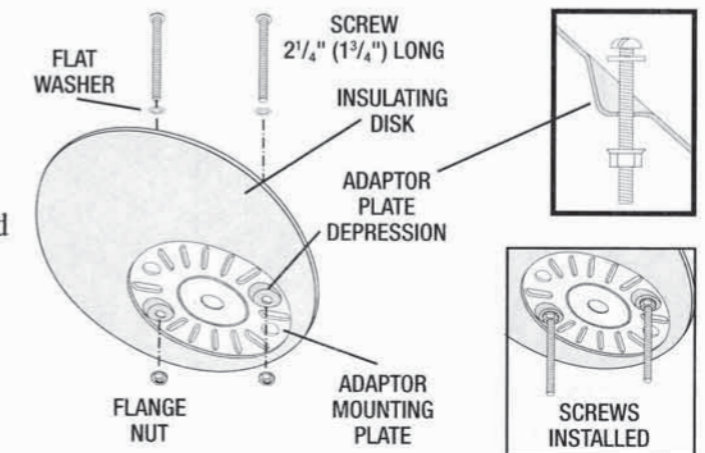


**INSTALLING THE 2 1/4" SCREWS IN ADAPTOR MOUNTING PLATE**

**Step 1:** Locate the two 8-32 x 2 1/4" (or 8-32 x 1 3/4" if mounting to a pancake type box) Phillips head screws, two flat washers and two flange nuts.

Place a flat washer on each screw before installing on the adaptor plate. Install each screw and washer onto the adaptor mounting plate—make sure the screw head and washer is seated INSIDE each adaptor plate depression.

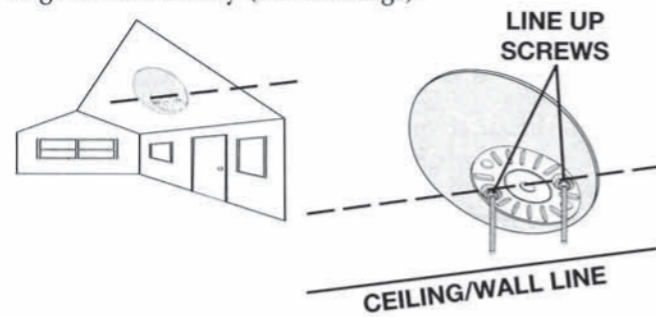
**Step 2:** Screw the flange nuts onto both screws and thread them all the way down to the plate. Tighten the nuts securely.



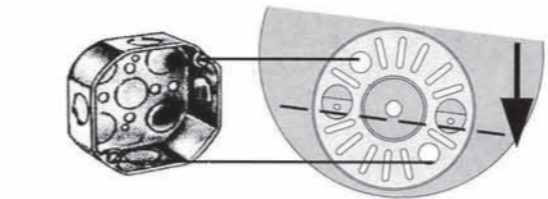


## PREPARATION FOR ALIGNING THE ADAPTOR MOUNTING PLATE

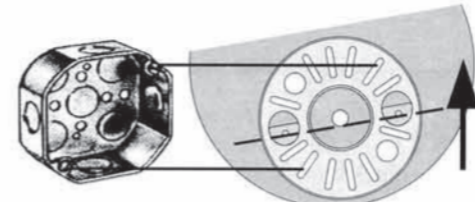
**Step 3:** Hold the plate up to the junction box and rotate it until the slots line up with the junction box holes. The ceiling adaptor works best when the two screws are aligned horizontally (see drawings).



Depending on the type and manufacturer of your ceiling outlet box it may not be possible for you to get the adaptor plate screws to be perfectly horizontal. The assembly has been designed to work well with angles up to  $\pm 20^\circ$  away from the horizontal.



ADAPTOR MOUNTING PLATE SHOWN ROTATED APPROXIMATELY 5° CLOCKWISE TO MATCH OUTLET BOX



ADAPTOR MOUNTING PLATE SHOWN ROTATED APPROXIMATELY 10° COUNTERCLOCKWISE TO MATCH OUTLET BOX

**NOTE:** The further away the two screws are from the horizontal, the lower the slope angle that can be reduced by the adaptor.

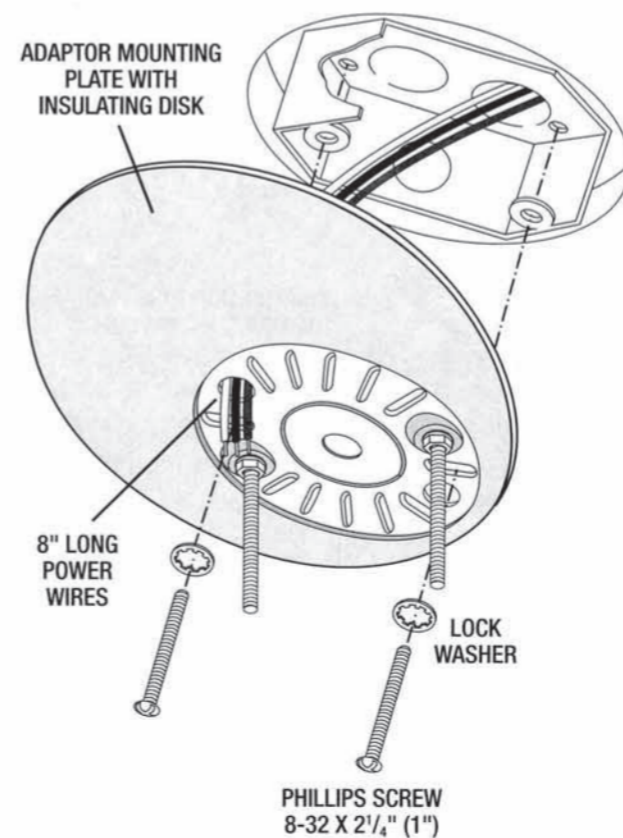
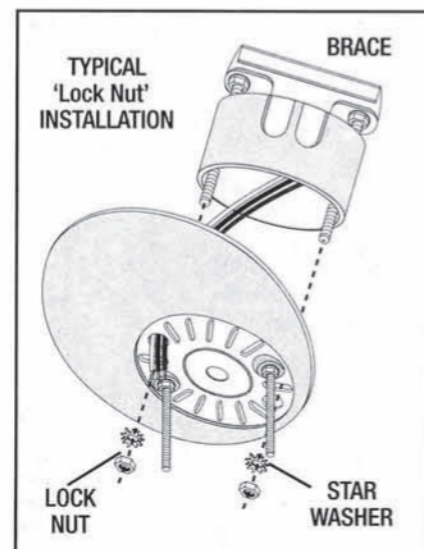
## TYPICAL INSTALLATION OF THE ADAPTOR MOUNTING PLATE

IF THE FAN REQUIRES ADDITIONAL HANGING SUPPORT, SKIP TO STEP 5.

**NOTE:** FOLLOW THE OUTLET BOX MANUFACTURER INSTRUCTIONS FOR THE NEXT STEP

**Step 4:** Attach the adaptor mounting plate to the outlet box in the position determined in Step 3 using the two 8-32 x 2 1/4" (or 8-32 x 1" if mounting to a pancake type box) Phillips head screws and lock washers. Proceed to Step 6.

**CAUTION:** IF YOU DO NOT HAVE ELECTRICAL WIRING KNOWLEDGE OR EXPERIENCE HAVE THIS ADAPTOR INSTALLED BY A LICENSED ELECTRICIAN.



## INSTALLING THE ADAPTOR MOUNTING PLATE WITH ADDITIONAL HANGING HARDWARE

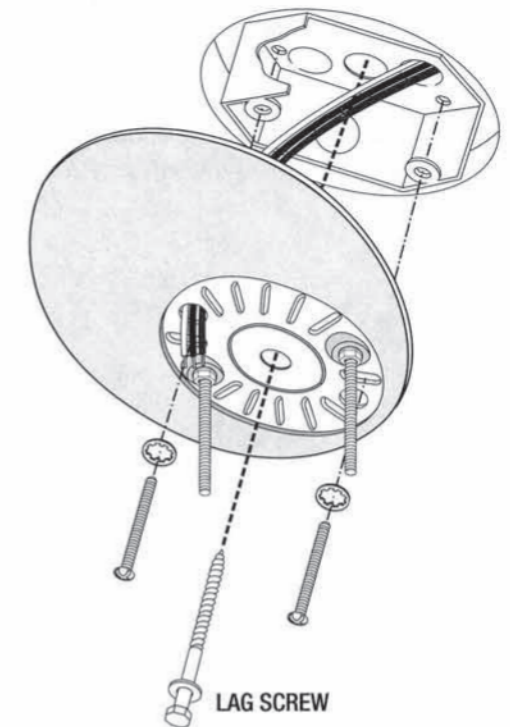
**NOTE:** Follow the outlet box manufacturer instructions for the next step.

IF YOUR CASABLANCA FAN IS REQUIRED TO HAVE THE ADDITIONAL HANGING SUPPORT SYSTEM, FOLLOW THESE DIRECTIONS:

**Step 5a.** Remove the knockout plug in the center of the outlet box or drill a 1/2" hole for the lag screw to pass through. Then drill a 1/4" guide hole into the joist or beam to a depth of 3".

**Step 5b.** Route the 8" outlet box wires through the 1/2" diameter outer hole of the canopy adaptor plate. Attach the adaptor mounting plate to the outlet box in the position determined in Step 3 using the 2 8-32 x 2 1/4" (or 8-32 x 1" if mounting to a pancake type box) phillips head screws and lock washers.

**Step 5c.** With the large washer attached, pass the lag screw through the center hole of canopy adaptor plate and screw into guide hole. Tighten until outlet box is firmly mounted to beam. This box must be firmly secured to the ceiling. We recommend that the ceiling fixture outlet box be of sufficient capacity enabling it to support the weight of fan and light fixture under any conditions.



**NOTE:** This part from the Additional Support for the fan will not be necessary when using the SCA kit.

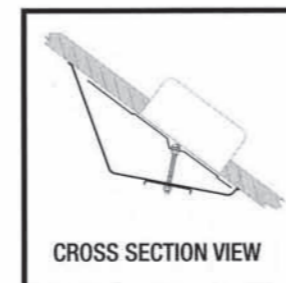


CANOPY ADAPTOR PLATE

## ALIGNING THE CEILING ADAPTOR COVER

**Step 6:** Hold the ceiling adaptor cover over the two screws and verify that the cover point is toward the peak of the room.

**NOTE:** If the cover does not line up as described in Step 6 above you should go back to Step 3 and rotate the adaptor plate to another set of slots.



ADAPTOR MOUNTING PLATE WITH INSULATING DISK

