



Yuma

Installation Manual

Model: 51451 Terracotta
51452 Matte Black
51453 Dove Grey
Fan weight ± 2 lbs: 23.6 lbs (10.7 kg)

Hunter
©2021 Hunter Fan Co.
PG4006 r060221

The ceiling fan you purchased will provide comfort and performance in your home or office for many years. This instruction manual contains complete instructions for installing and operating your fan. We are proud of our work and appreciate the opportunity to supply you with the best ceiling fan available anywhere in the world.

We are here to help!

This Instruction Manual is designed to make installation as simple as possible. While working through this Instruction Manual, keep your smartphone or tablet nearby. We have added video links to help you through the more technical sections. If you are unfamiliar or uncomfortable with wiring, contact a qualified electrician. We also provide telephone support at 1.888.830.1326 or visit us at HunterFan.com.



READ and SAVE These Instructions

WARNING

Warning



w.1 - To reduce the risk of fire, electrical shock, or personal injury, mount fan directly from building structure and/or an outlet box marked acceptable for fan support of 70 lbs (31.8 kg) and use the mounting screws provided with the outlet box.

w.2 - To avoid possible electrical shock, before installing or servicing your fan, disconnect the power by turning off the circuit breakers to the outlet box and associated wall switch location. If you cannot lock the circuit breakers in the off position, securely fasten a prominent warning device, such as a tag, to the service panel.

w.3 - To reduce the risk of electric shock, this fan must be installed with an isolating wall control/switch.

w.4 - To reduce the risk of personal injury, do not bend the blade brackets when installing the blade brackets, balancing the blades, or cleaning the fan. Do not insert foreign objects in between rotating fan blades.

w.5 - Chemical burn hazard. Keep batteries away from children. This remote contains a lithium button cell battery. If a new or used lithium button/coin cell battery is swallowed or enters the body, it can cause severe internal burns and can lead to death in as little as 2 hours. Always completely secure the battery compartment. If the battery compartment does not close securely, stop using the product, remove the batteries, and keep it away from children. If you think batteries might have been swallowed or placed inside any part of the body, seek immediate medical attention. Dispose of cells properly and keep away from children. Even used cells may cause injury.

w.6 - Non-rechargeable batteries are not to be recharged. Exhausted batteries are to be removed from the product.

Caution

c.1 - All wiring must be in accordance with national and local electrical codes ANSI/NFPA 70. If you are unfamiliar with wiring, use a qualified electrician.

c.2 - Use only Hunter replacement parts.

This equipment has been tested and found to comply with the limits for a Class B digital device, pursuant to part 15 of the FCC Rules. These limits are designed to provide reasonable protection against harmful interference in a residential installation. This equipment generates, uses and can radiate radio frequency energy and if not installed and used in accordance with the instructions may cause harmful interference to radio communications.

However, there is no guarantee that interference will not occur in a particular installation. If this equipment does cause harmful interference to radio or television reception, which can be determined by turning the equipment off and on, the user is encouraged to try to correct the interference by one or more of the following measures:

- Reorient or relocate the receiving antenna.
- Increase the separation between the equipment and receiver.
- Connect the equipment into an outlet on a circuit different from that to which the receiver is connected.
- Consult the dealer or an experienced radio/TV technician for help.

Caution: modifications not approved by the party responsible for compliance could void user's authority to operate the equipment.

This device complies with Part 15 of the FCC Rules. Operation is subject to the following two conditions: (1) This device may not cause harmful interference, and (2) this device must accept any interference received, including interference that may cause undesired operation.

This product conforms to UL Standard 507.



Here are the tools you'll need to complete your installation:



Ladder



Screwdriver



Pliers



Wire Strippers

OPTIONAL

If mounting to a support structure, you will also need these tools.



Drill



9/64" Drill Bit

© 2021 Hunter Fan Company
7130 Goodlett Farms Pkwy, Suite 400
Memphis TN 38016

Here is what comes in your box:

We recommend that you pull everything out of the box and lay it out. We have grouped the drawn components below with the hardware you'll need for those parts. The screws below are drawn to scale to make it easier to identify what piece of hardware is needed to install each component.

Hunter Pro Tip:



Do not discard the hardware bags or mix parts from different bags. Make note of the symbol printed on each hardware bag. The symbols can be used to identify the appropriate hardware for each step.

BAG **Wood Screw** x2

Washer x2

Wire Nut x4

For installing the hanger bracket and wiring the fan

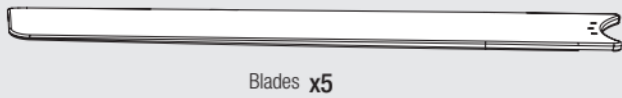
Ceiling Bracket

Canopy **BAG** **Canopy Screw** x2

For installing the canopy

BAG **BladeWasher** x15

BAG **Blade Screw** x15



Blades x5

For installing the blades

BAG **Spare Parts**

For your convenience, you may receive extra fasteners.

Extra downrod

Remote Control **Remote Cradle**

Remote Receiver

Remote Components

Downrod

Motor

Light Kit Assembly **BAG** **Light Kit Screw** x3

Bulb x2

Switch Housing Plate **Short Light Kit Screw** x2

Glass

For installing the light fixture

Note:

Fan style may vary.



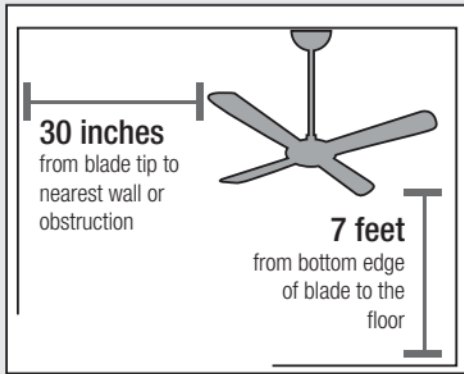
Find a part that is missing or damaged?

Don't take it back to the store. Let us make it right. Visit us at HunterFan.com or call us at 1.888.830.1326.

Choosing the Right Installation Location

You probably bought this fan with a location in mind. Let's check below to make sure it is a good fit.

Check the room dimensions:



Check the outlet box:



You must be able to secure the fan to building structure or fan-rated outlet box.

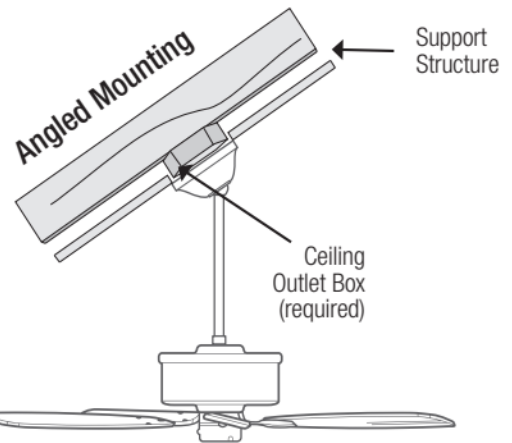
Checking the Ceiling Angle:

Standard Mounting



If you have a flat ceiling:

Hang your fan by a standard downrod. Some fans come with a shorter downrod for a Low Profile installation.



If you have an angled or vaulted ceiling:

1. You will need a longer downrod. (sold separately at HunterFan.com)
2. If your ceiling angle is greater than 34°, you will also need an Angled Mounting Kit. (Sold separately at HunterFan.com)

Angled Mounting

A little more information on Angled Mounting:

For optimum performance and appearance, a longer downrod should be used with your Hunter ceiling fan when installing on high or angled ceiling. If your ceiling is angled greater than 34° you will also need an Angled Mounting Kit. Longer downrods and the Angled Mounting Kit are sold separately at HunterFan.com.

Hunter Pro Tip:

Determining if you need an Angled Mounting Kit:

Fold on the dotted line. Place against edge against the wall. Slide towards the ceiling.

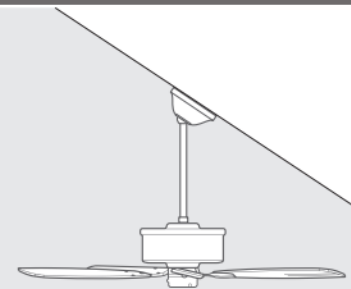
If the guide touches the wall but not the ceiling, you need an angled mounting kit.



WALL

34°

CEILING

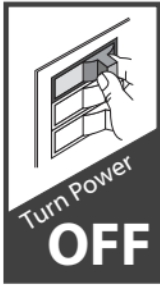


Installing the Ceiling Bracket

You have **two options** for installation. Pick which one works best for your location. Remove any existing bracket prior to installation. Only use the provided Hunter ceiling bracket that came in your fan's box.

Hunter Pro Tip:

The machine screws are the ones that came with your outlet box.



Do this first!

WARNING

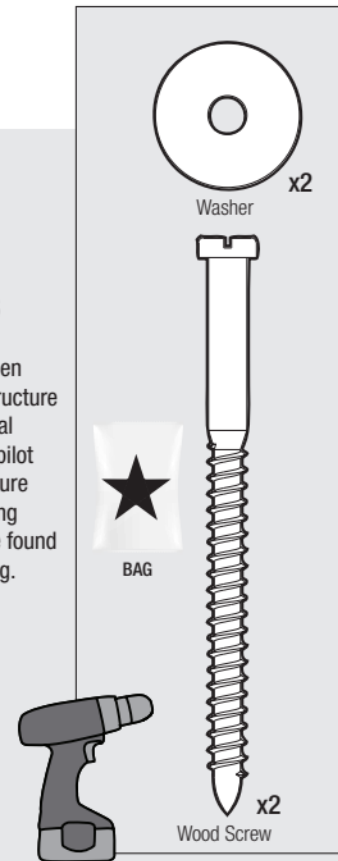
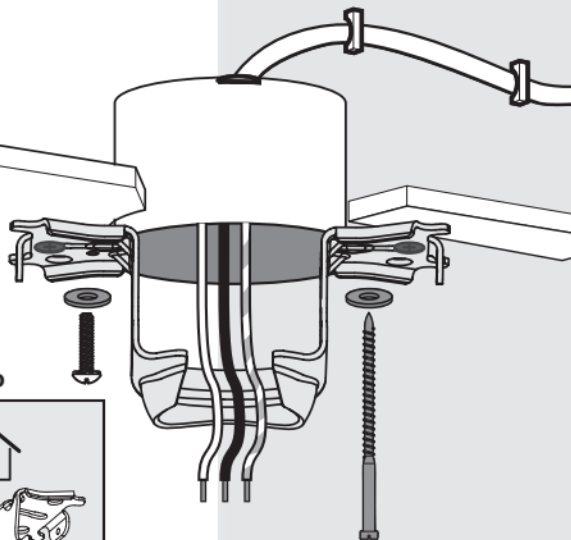
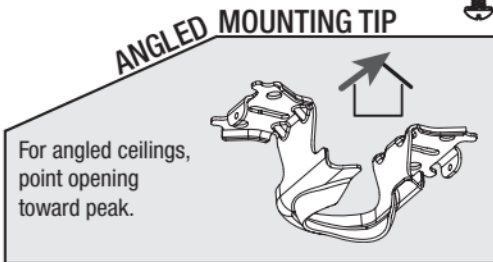
To avoid possible electrical shock, before installing your fan, disconnect the power by turning off the circuit breakers to the outlet box associated with the wall switch location.

Option 1: Machine Screws

Use machine screws (provided with outlet box) and washers when securing to existing ceiling fan-rated outlet box. Make sure it is securely installed and is acceptable for fan support of 31.8 kg (70 lbs) or less.

Option 2: Wood Screws

Use wood screws and washers (included) when securing to support structure with approved electrical outlet box. Drill 9/64" pilot holes in support structure to aid in securing ceiling bracket with hardware found in the ★ hardware bag.

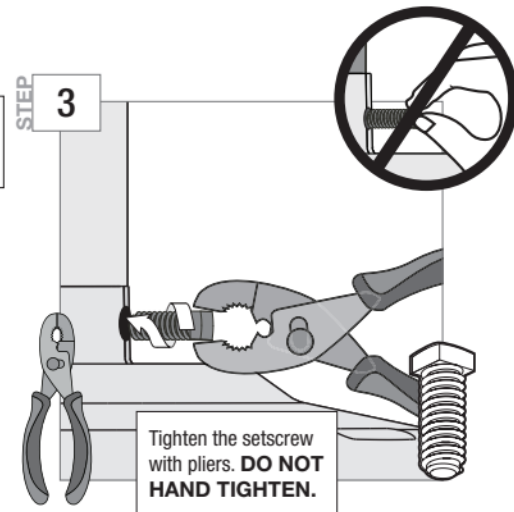
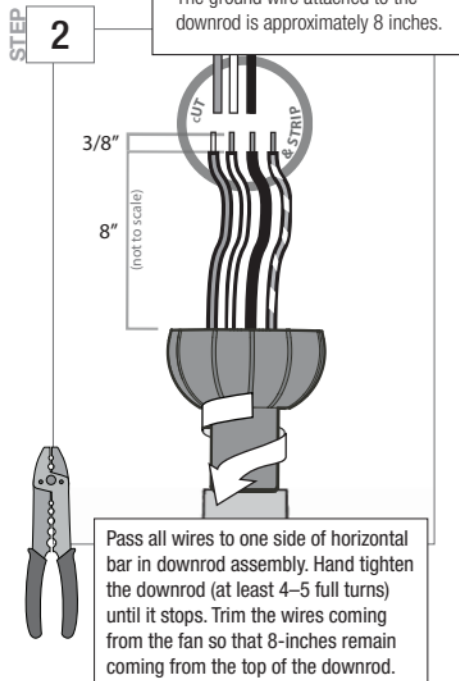
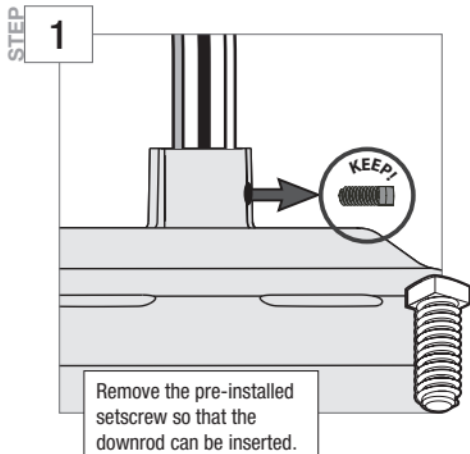


Installing the Downrod

Follow below if you are using the downrod that came pre-assembled in your box. Need to install a longer or shorter downrod? Check out the guide at the end of this manual.

Hunter Pro Tip:

The ground wire attached to the downrod is approximately 8 inches.



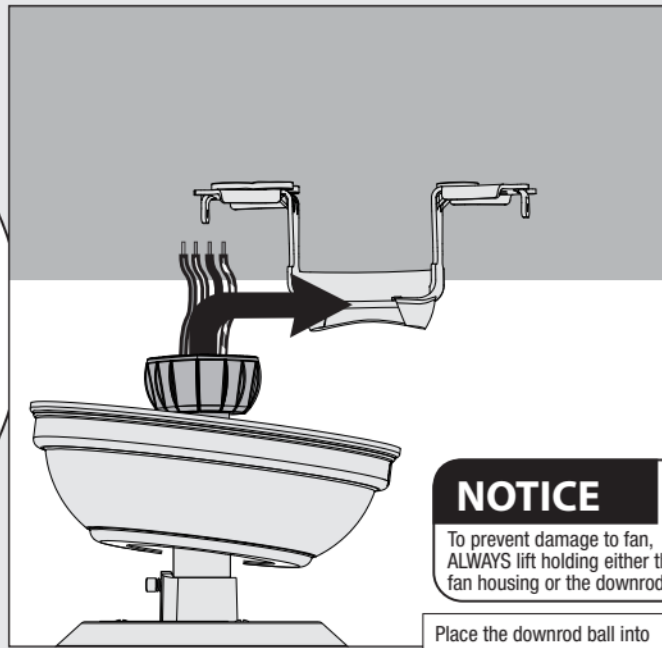
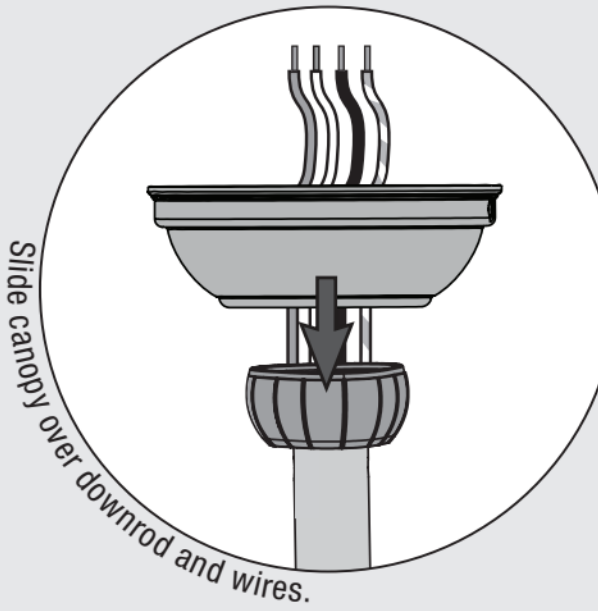
WARNING

FAN FALL HAZARD

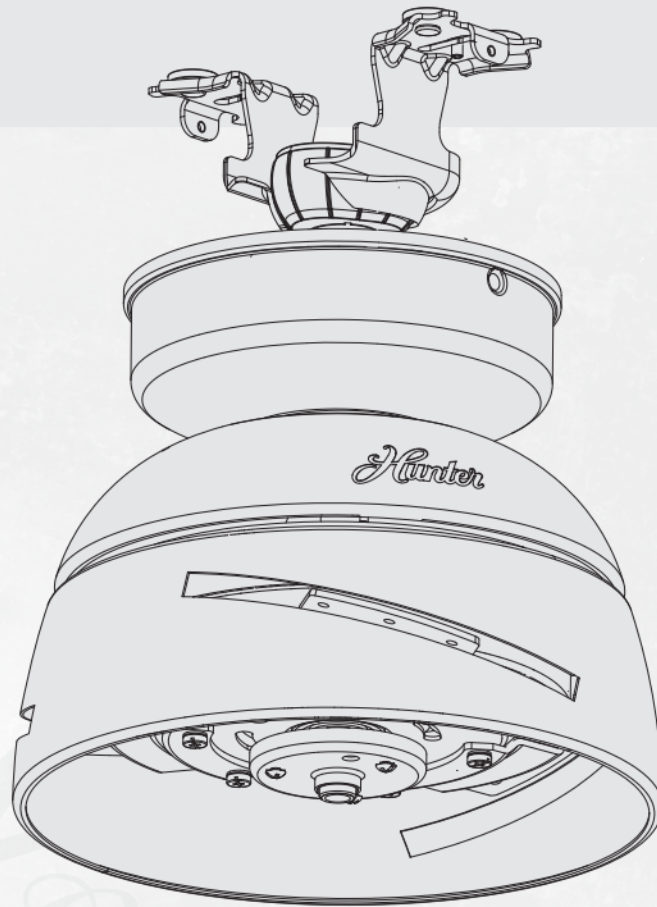
To prevent **SERIOUS INJURY** or **DEATH**:

- ALWAYS tighten setscrew with pliers.
- DO NOT hand tighten setscrew.
- CHECK the setscrew is tight using pliers each time you change fan direction.

Hanging the Fan



Progress Check:
Your fan should look like this.



Note:

Fan style may vary.

Wiring the Fan

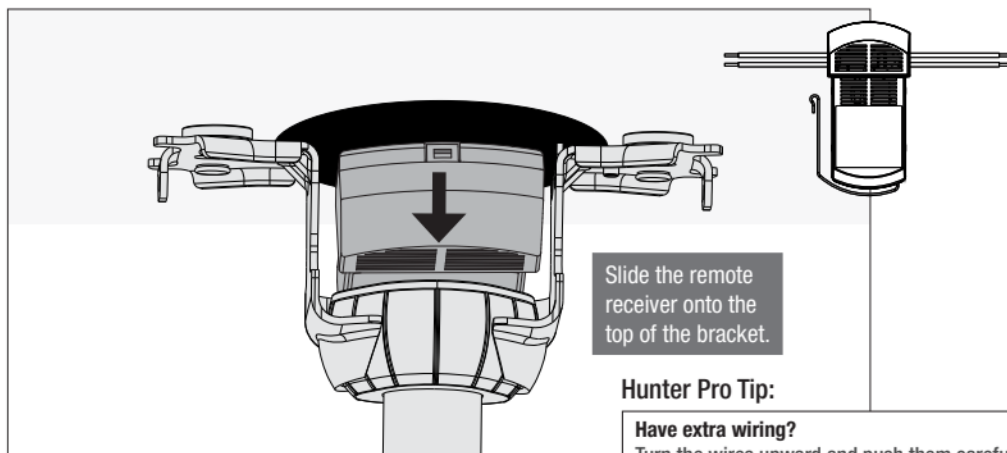
We know wiring is hard. Let's make it easier.

Follow these steps to get your fan wired quickly and safely. Follow the route below that best matches your wall switch setup. If you are unfamiliar with wiring or uncomfortable doing it yourself, please contact a qualified electrician.

Hunter Pro Tip:

Here is how to connect the wires:

Push the bare metal ends of the wires together and slide a wire nut over them. Then, twist the wire nut clockwise until tight. Give it a gentle pull to make sure none of the wires are loose.



WARNING

The ceiling fan must be grounded. If the ground wire for the installation site is not present, immediately **STOP** installation and consult a qualified electrician.

WARNING

All wiring must be in accordance with national and local electrical codes ANSI/NFPA 70. If you are unfamiliar with wiring or in doubt, consult a qualified electrician.

Hunter Pro Tip:

Have extra wiring?
Turn the wires upward and push them carefully back through the hanger bracket into the outlet box. Spread the wires apart, with the grounded wires on one side of the outlet box and the ungrounded wires on the other side of the outlet box. Make sure that the wires are still attached to the wire nuts.

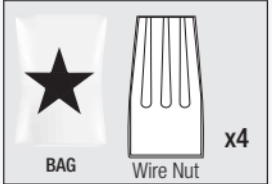
Connect the black (ungrounded) wire from the ceiling to the black wire from the receiver.

Connect the yellow wire from the receiver to the black wire from the fan.

Connect the white (grounded) wire from the ceiling to both the white wire from the receiver and the white wire from the fan.

Connect the three grounding wires (green, green/yellow stripe, or bare copper) coming from the ceiling, downrod, and hanging bracket.

Connect the blue wire from the receiver to the blue wire from the fan.

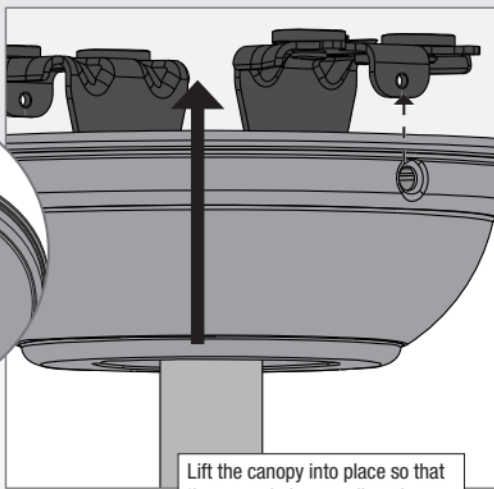


Note:
Fan style may vary.



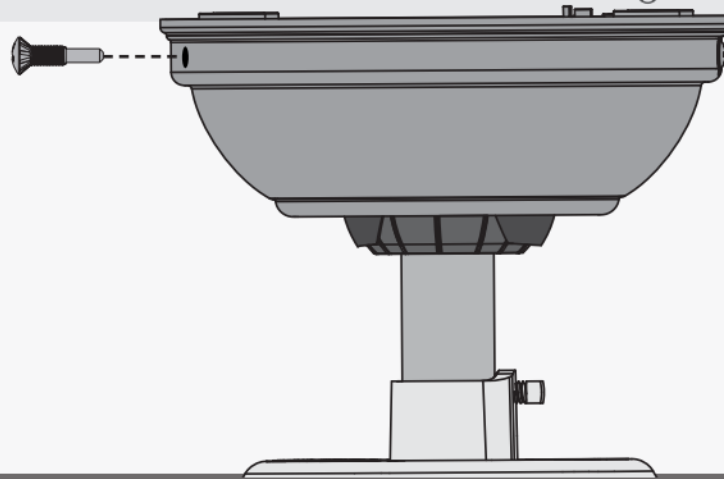
DR19-01 r091420

Installing the Canopy



Fit the canopy in place as shown.

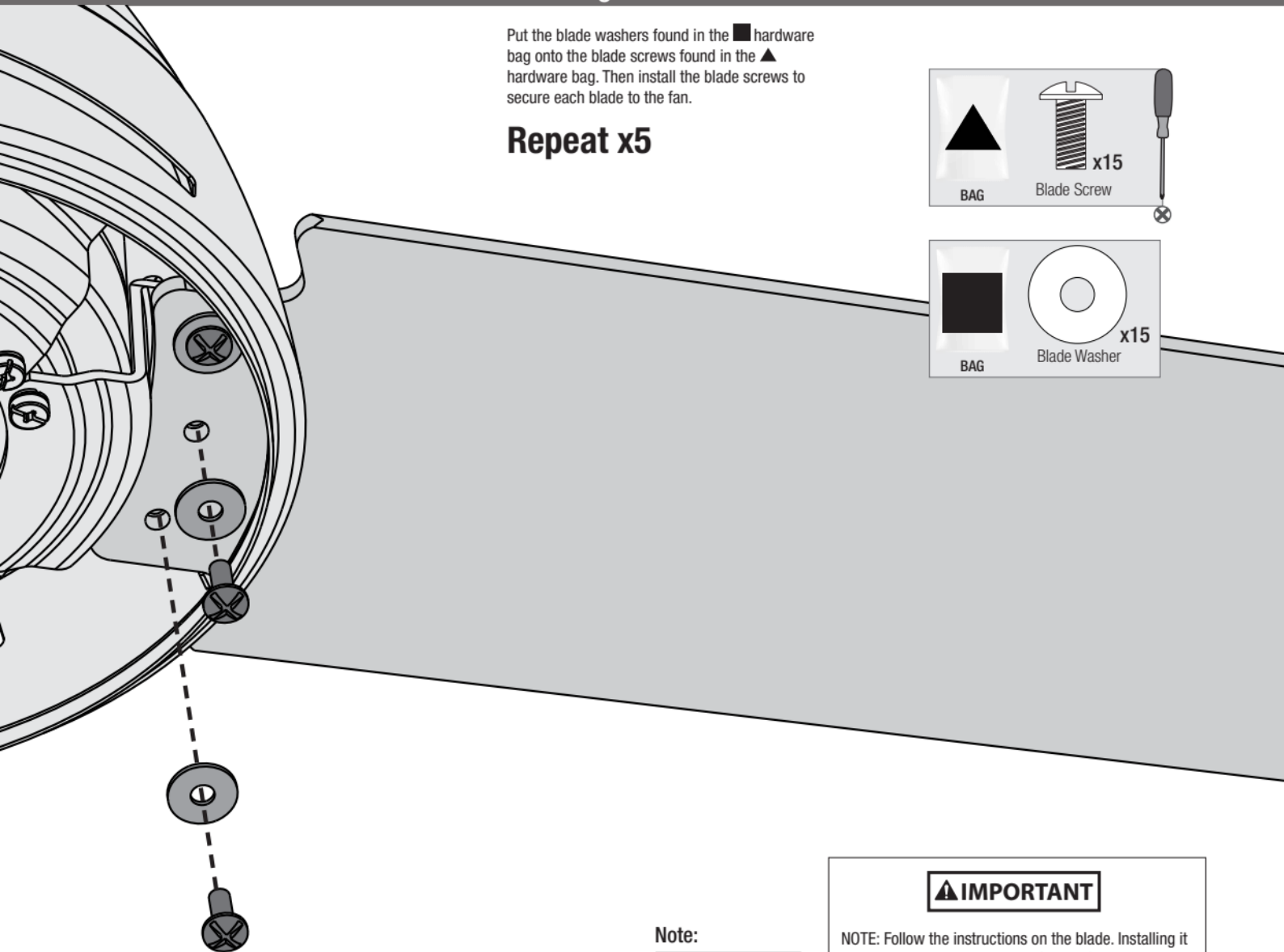
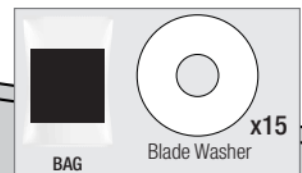
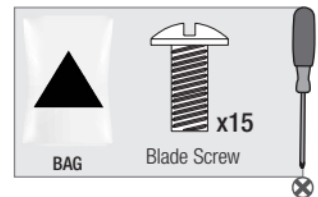
Insert the two canopy screws found in the ● hardware bag.



Installing the Blades

Put the blade washers found in the ■ hardware bag onto the blade screws found in the ▲ hardware bag. Then install the blade screws to secure each blade to the fan.

Repeat x5



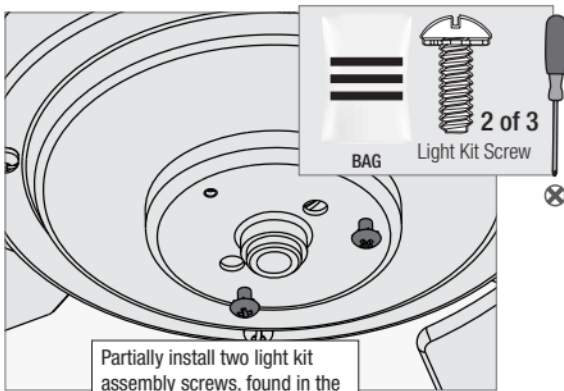
▲ IMPORTANT

Note:

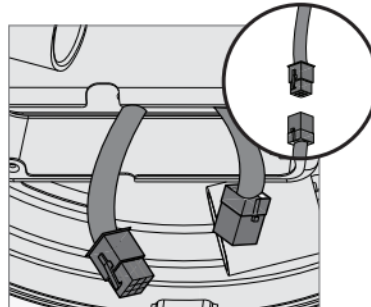
Fan style may vary.

NOTE: Follow the instructions on the blade. Installing it incorrectly could result in your fan not functioning.

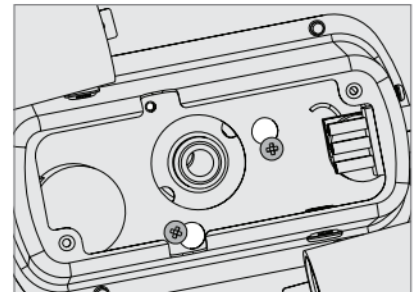
Assembling the Light Kit



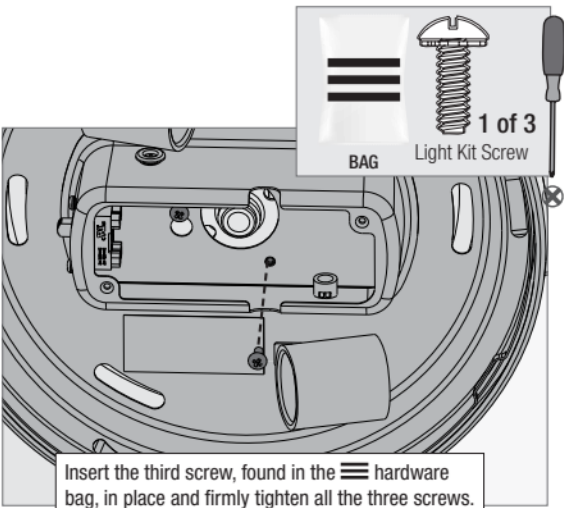
Partially install two light kit assembly screws, found in the hardware bag, halfway into the motor housing as shown. It does not matter which two screw holes you choose.



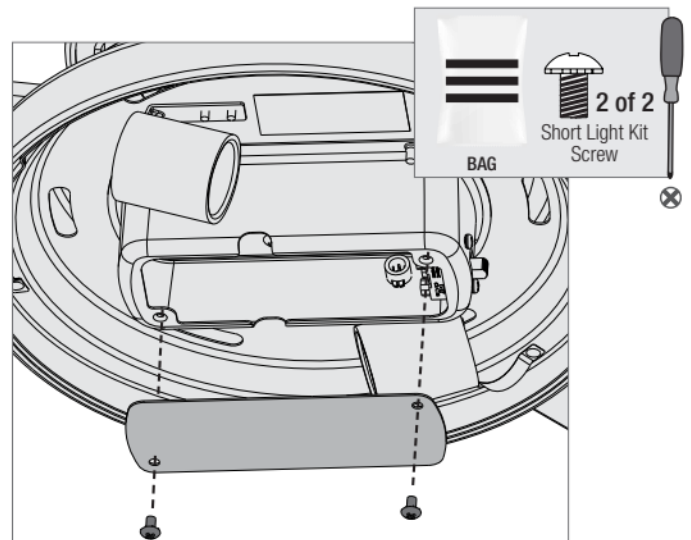
Feed the 9-pin plug connector coming from the bottom of the motor housing through the center hole in the light kit assembly. Connect it to the plug connector found in the switch housing area of the light kit assembly. Make sure to line up the colored markings on the connectors.



Align the keyhole slots in the top of the light kit assembly with the partially installed assembly screws. Wrap the keyhole slots around the screws and twist counterclockwise.



Insert the third screw, found in the hardware bag, in place and firmly tighten all the three screws.



Carefully push all switch housing components into the switch housing, then install the switch housing plate using two short light kit assembly screws, found in the hardware bag.

WARNING

FAN FALL HAZARD

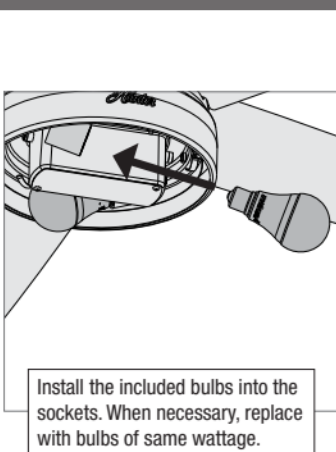
Make sure all screws are tight to secure the light fixture.



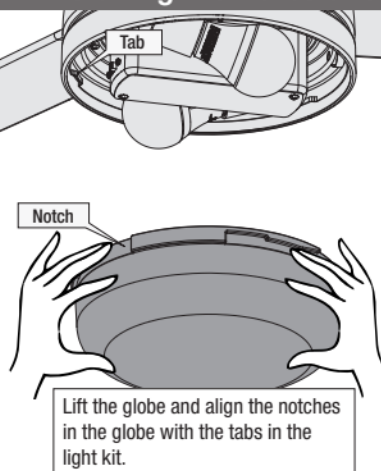
Note:

Fan style may vary.

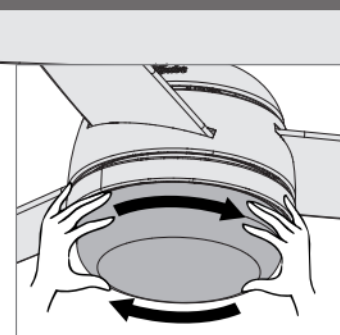
Installing the Bulbs and Glass



Install the included bulbs into the sockets. When necessary, replace with bulbs of same wattage.



Lift the globe and align the notches in the globe with the tabs in the light kit.



Attach the globe by lifting and turning clockwise one third of a full turn of the glass until it stops.

NOTE: Check to ensure proper engagement.

Note:

Fan style may vary.

WARNING

GLASS FALL HAZARD

To prevent SERIOUS INJURY or DEATH, make sure that glass is properly secured.

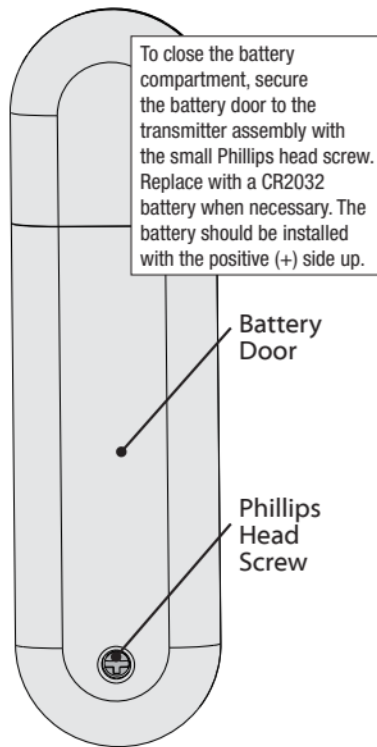


Preparing the Remote

The remote control is already paired for use. For your convenience, a remote function card is packed in with your remote.

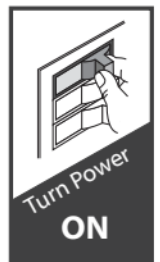
NOTICE

- Always purchase the correct size and grade of battery most suitable for the intended use.
- Replace all batteries of a set at the same time.
- Clean the battery contacts and also those of the device prior to battery installation.
- Ensure the batteries are installed correctly with regard to polarity (+ and -).
- Remove batteries from equipment which is not to be used for an extended period of time.
- Remove used batteries promptly.



Remote Function Guide

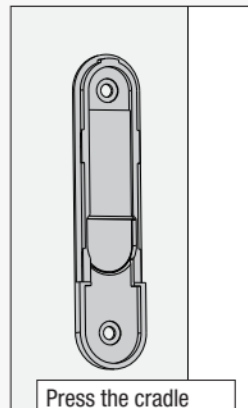
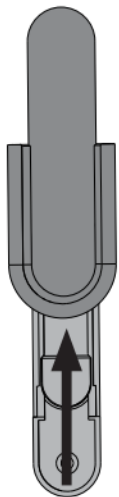
Key Press	Function
+ Quick Press	Light On/Off
+ Long Press	Light Dimming
+ Quick Press	Fan On/Off
+ Quick Press	Raise Fan Speed
+ Quick Press	Lower Fan Speed
Long Press	Fan High
Long Press	Fan Low
Long Press +	Dimming Mode On/Off



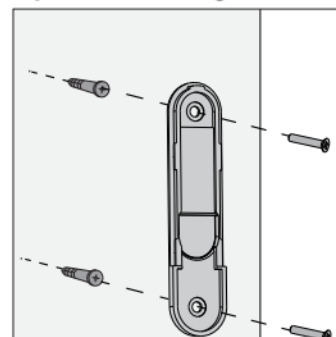
Installing the Remote Control Cradle

You have two options for installing the remote cradle. Choose which path works best for you.

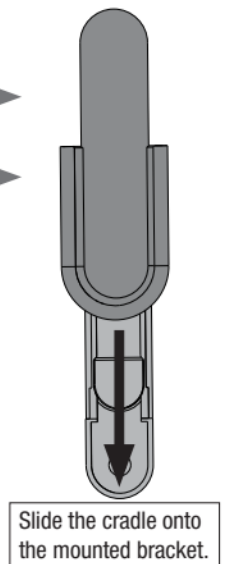
Option 1: Using Adhesive Strip



Option 2: Using Screws

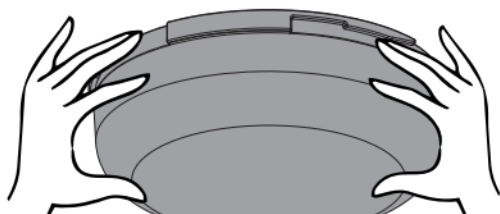


If you are installing into drywall, drill two 9/64 width holes using the cradle bracket as a guide. Gently hammer the included drywall anchors into the pre-drilled holes.

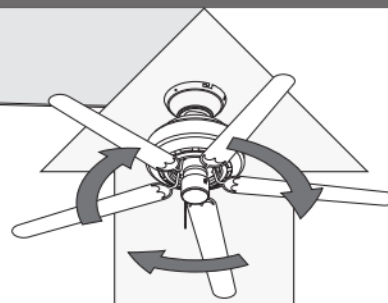


Reversing the Fan

Reverse Switch

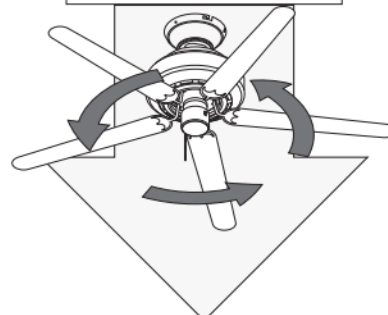


Ceiling fans work in two directions: downdraft (counterclockwise rotation) and updraft (clockwise rotation). To change the direction of air flow, turn the fan off and let it come to a complete stop. The reversing switch is located inside the light fixture. It can only be accessed when the glass is removed. Slide the reversing switch to the opposite position. Restart the fan.



Updraft (clockwise rotation) creates a more indirect airflow. Updraft airflow is great for moving warm air downward.

Downdraft (counterclockwise rotation) creates a direct breeze and maximum cooling effect.



Note:

Fan style may vary.

Limited Lifetime Warranty

Hunter Fan Company grants this limited warranty to the original purchaser of this Hunter ceiling fan. This document can be found at www.HunterFan.com.

Thank you for choosing Hunter!

How Can Warranty Service Be Obtained?

Proof of purchase is required when requesting warranty service. The original purchaser must present a sales receipt or other document that establishes proof of purchase. Hunter, at its sole discretion, may accept a gift receipt. To obtain service, contact Hunter Fan Company online or by phone.

www.HunterFan.com/Support/Contact-Us/
1-888-830-1326

Please do not ship your fan or any fan parts to Hunter. Delivery will be refused.

What Does This Warranty Cover?

Motor — Limited Lifetime Warranty

If any part of your ceiling fan motor fails during your ownership of the fan due to a defect in material or workmanship, as determined solely by Hunter, Hunter will provide you with a replacement fan free of charge.* The foregoing limited warranty applies only to the motor itself and does not apply to electronic controls – such as remote control transmitters, remote control receivers, or capacitors – used in conjunction with the motor. Such electronic control items are included in the one-year limited warranty below.

Other — One-Year Limited Warranty

Except as otherwise indicated throughout this warranty, if any part of your Hunter ceiling fan fails at any time within one year of the date of purchase due to a defect in material or workmanship, as determined solely by Hunter, Hunter will provide a replacement part free of charge.*

Light Kits — Warranty May Vary

Light kits are included in the one-year limited warranty. However, you may qualify for additional warranty coverage if your fan includes one of the following:

- **LED Light Kits — Three-Year Limited Warranty**

If your LED light kit module (not including glass components) or LED bulb fails at any time within three years of the date of purchase due to a defect in material or workmanship, as determined solely by Hunter, Hunter will provide a replacement part free of charge.*

** If no replacement product/part can be provided for your fan, we will provide a comparable or superior replacement product/part at the sole discretion of Hunter.*

What Does This Warranty NOT Cover?

Labor Excluded. This warranty does not cover any costs or fees associated with the labor (including electrician's fees) required to install, remove, or replace a fan or any fan parts. There is no warranty for light bulbs (except where otherwise noted); remote control batteries; fans purchased or installed outside the United States; fans owned by someone other than the original purchaser; fans for which proof of purchase has not been established; fans purchased from an unauthorized dealer; ordinary wear and tear; minor cosmetic blemishes; refurbished fans; and fans that are damaged due to any of the following: improper installation, misuse, abuse, improper care, failure to follow Hunter instructions, accidental damage caused by the fan owner or related parties, modifications to the fan, improper or incorrectly performed maintenance or repair, improper voltage supply or power surge, use of improper parts or accessories, failure to provide maintenance to the fan, or acts of God (e.g. flood).

ORIGINAL PURCHASER'S SOLE AND EXCLUSIVE REMEDY FOR A CLAIM OF ANY KIND WITH RESPECT TO THIS PRODUCT SHALL BE THE REMEDIES SET FORTH HEREIN. HUNTER FAN COMPANY IS NOT RESPONSIBLE FOR CONSEQUENTIAL OR INCIDENTAL DAMAGES, DUE TO PRODUCT FAILURE, WHETHER ARISING OUT OF BREACH OF WARRANTY, BREACH OF CONTRACT, OR OTHERWISE. Some States do not allow the exclusion or limitation of incidental or consequential damages, so the above limitation or exclusion may not apply to you.

ANY IMPLIED WARRANTIES OF MERCHANTABILITY OR FITNESS FOR A PARTICULAR PURPOSE APPLICABLE TO THIS PRODUCT ARE LIMITED IN DURATION TO THE PERIOD OF COVERAGE OF THE APPLICABLE LIMITED WARRANTIES SET FORTH ABOVE. Some States do not allow limitations on how long an implied warranty lasts, so the above limitation may not apply to you.

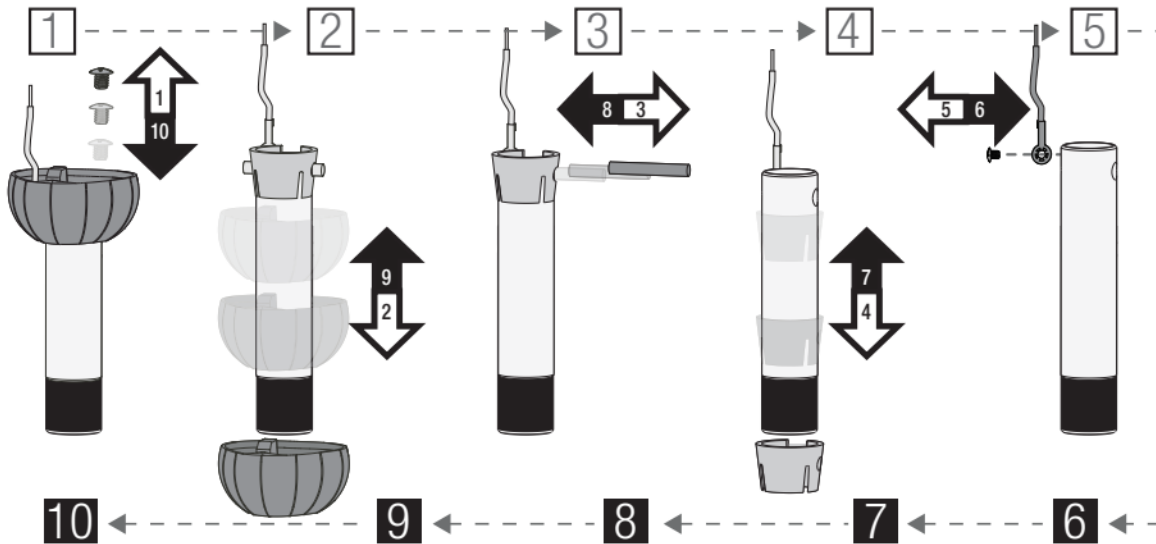
How Does State Law Affect Warranty Coverage?

This warranty gives you specific legal rights. You may also have other rights which vary from state to state.

Downrod

If you need a different downrod length follow these steps:

Follow steps 1-5 to remove standard downrod pipe



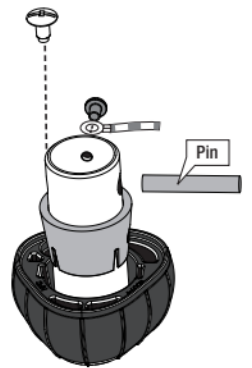
Follow steps 6-10 to reassemble with new downrod

WARNING

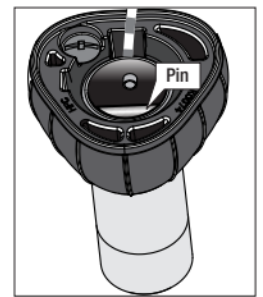
FAN FALL HAZARD

To prevent SERIOUS INJURY or DEATH:

- ALWAYS follow the downrod assembly instructions exactly.
- VERIFY the downrod is assembled correctly by firmly pulling on the hanger ball.
- Pin must be reinserted to secure downrod assembly.



Here is another view of the downrod assembly unassembled.



Assembled downrod should look like this

Troubleshooting

Fan Doesn't Work

- Make sure power switch is on.
- Check the circuit breaker to ensure the power is turned on.
- Make sure the blades spin freely.
- Turn off power from the circuit breaker, then loosen the canopy and check all the connections according to the wiring diagram.

Excessive Wobbling

- Make sure the blades are properly installed on the blade iron posts.
- Turn the power off, support the fan carefully, and check that the hanger ball is properly seated.
- Use the provided balancing kit and instructions to balance the fan.

Noisy Operation

- Make sure the blades are properly installed.
- Check to see if any of the blades are cracked. If so, replace all of the blades.

Remote Control of Fan is Erratic

- Make sure the battery is installed correctly.
- Install a fresh battery.

Multiple Remote Issues

- If you have multiple remotes or multiple remote-controlled fans installed on the same circuit breaker and you are experiencing interference or faulty operation of your remote controls, please go to www.HunterFan.com/FAQs and click "How do I properly install multiple remote-controlled fans?" for information on how to correct this issue.

Hunter Pro Tip:

Cleaning the Fan

Use soft brushes or cloths to prevent scratching. Cleaning products may damage the finishes.