

# Marine II Outdoor Light Kit

Owner's Guide and Installation Manual  
Manual De Propietario



English

Español

# Welcome

Your new Hunter® light kit is an addition to your home or office that will provide comfort and performance for many years. This installation and operation manual gives you complete instructions for installing and operating your light kit.

We are proud of our work. We appreciate the opportunity to supply you with the best products available anywhere in the world.

Before installing your light kit, for your records and warranty assistance, record information from the carton and Hunter nameplate label.

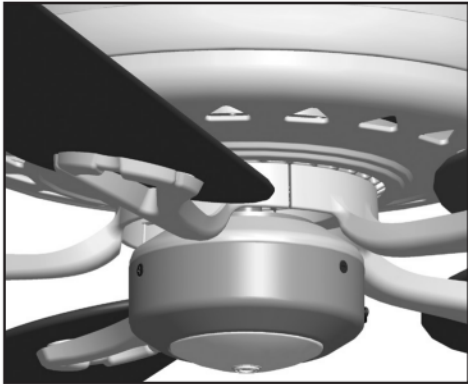
## Cautions and Warnings

- **READ THIS ENTIRE MANUAL CAREFULLY BEFORE BEGINNING INSTALLATION. SAVE THESE INSTRUCTIONS.**
- Use only Hunter replacement parts.
- To reduce the risk of personal injury, install this light fixture only on Hunter® fan types A through Z. **Note:** The fan type can be found on the ceiling fan package or on the nameplate label located on top of the motor housing of the ceiling fan.
- To avoid possible electrical shock, before installing light fixtures, disconnect the power by turning off the circuit breakers both to the outlet box and to its associated wall switch location. If you cannot lock the circuit breakers in the off position, securely fasten a prominent warning device, such as a tag, to the service panel.
- Connect house wiring to the fan before attaching the light fixture to the fan.
- All wiring must be in accordance with national and local electrical codes and ANSI/NFPA 70. If you are unfamiliar with wiring, use a qualified electrician.

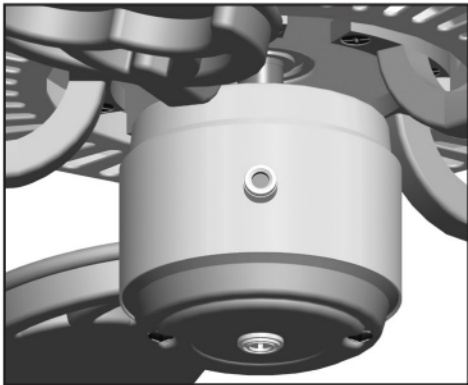
### Table Of Contents

1 • Installing the Light Kit on a Removable Switch Housing .. . . . .	4
2 • Installing the Light Kit on a Non-Removable Switch Housing .. . . . .	5
3 • Installing the Light Kit on the Hunter Original .. . . . .	7
4 • Installing the Light Kit on a Fan with a Removable Switch Housing Cap. . . . .	8
5 • Installing the Bulbs, Chain, and Globe .. . . . .	9
6 • Troubleshooting .. . . . .	10

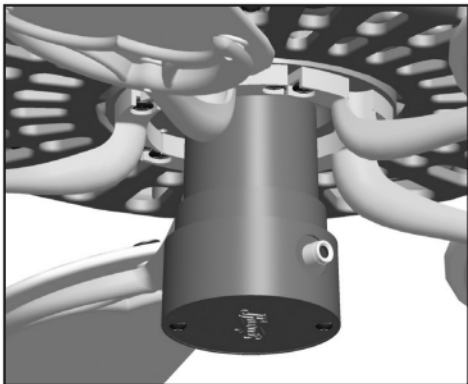
## Installation Methods of Hunter® Ceiling Fans Type A-Z



Removable Switch Housing



Non-removable Switch Housing



The Hunter Original



Removable Switch Housing Cap

Your *Hunter*® light kit can be installed in one of three ways. The steps in this manual include instructions for all three installation methods: Installation on fans with removeable switch housings, fans with non-removeable switch housings, and The Hunter Original.

### Preparing the Light Kit:

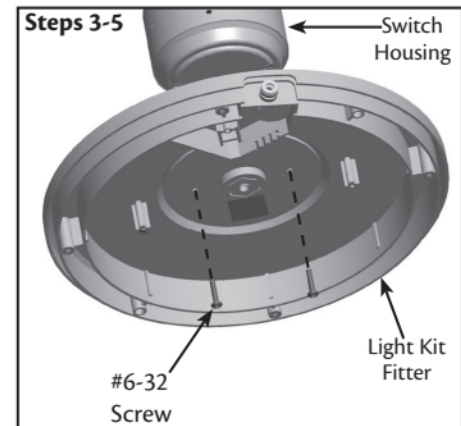
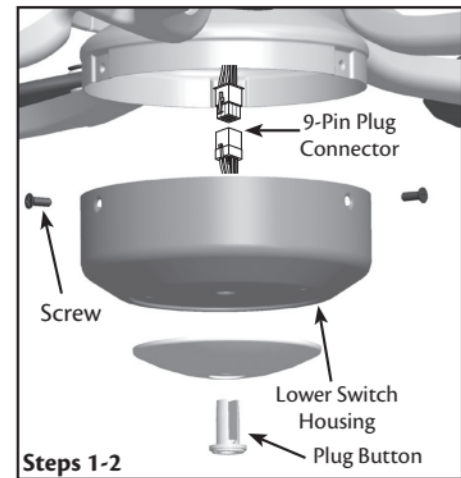
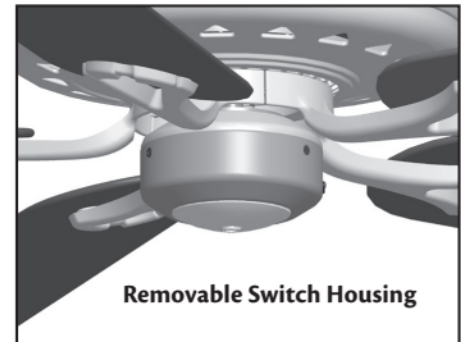
1. Disconnect power by turning off the circuit breakers both to the outlet box and to its associated wall switch location.

# 1 • Installing the Light Kit on Fans With Removable Switch Housings

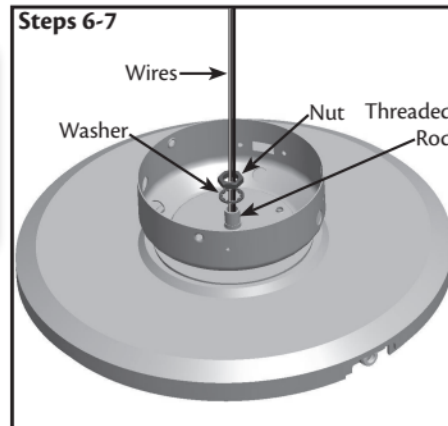
1. Unscrew the three screws from the upper switch housing. Disconnect the 9-pin plug connectors. Remove the lower switch housing.
2. Push the plug button from inside the lower switch housing to remove the plug button and switch housing cap.  
**NOTE:** Save the plug button and switch housing cap should you choose to remove the light fixture in the future.
3. To attach the light kit, partially install two #6-32 screws and the lock washers on the red tag into the switch housing.
4. Align the keyhole slots in the light kit with the #6-32 screws.
5. Turn the mounting plate counterclockwise until the housing assembly screws are firmly situated in the narrow end of the keyhole slots. Tighten screws firmly.
6. Feed the two wires from the light kit through the center hole in the lower switch housing.
7. To secure the light kit fitter, thread the nut and washer onto the rod from the light kit. Tighten the nut and washer you previously threaded onto the rod from the light kit.
8. Remove the wire connectors from the two wires in the switch housing labeled "Connect Light Here" or "For Light Use." To connect the wires, hold the bare metal leads together and place a wire connector over them, then twist the wire connector clockwise until tight. Connect the black wire with a white stripe from the switch housing to the black wire from the light kit. Connect the white wire from the switch housing to the white wire from the light kit. Secure all wire connections using wire connectors.

**CAUTION:** Be sure no bare metal wires or wire strands are visible after making the connections.

9. Go to the instructions for installing the bulbs and globe.

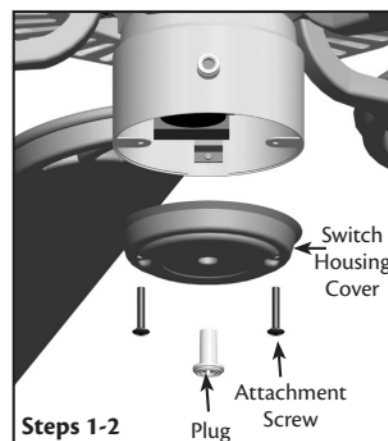
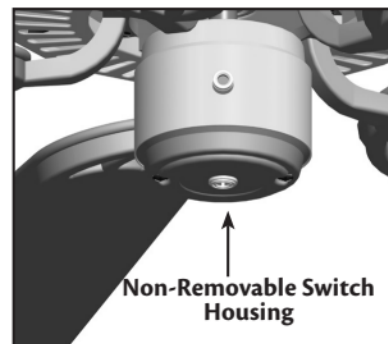


**WARNING:** Improper installation could cause the light fixture to fall.



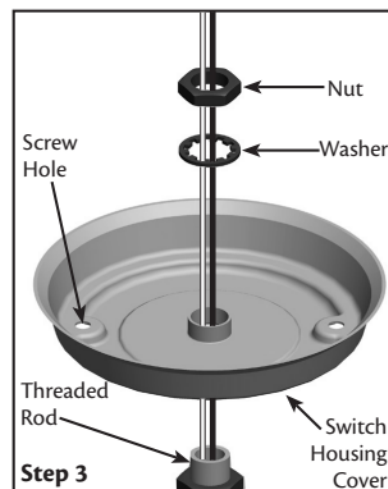
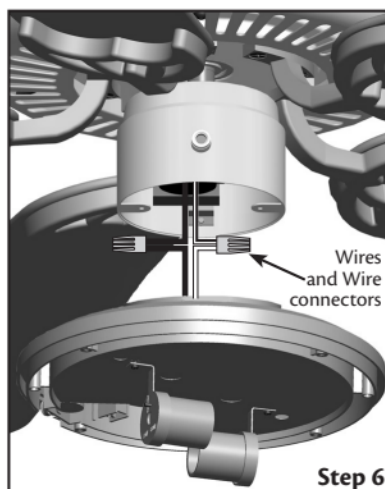
## 2 • Installing the Light Kit on Fans With Non-Removable Switch Housing

1. Uninstall the two attachment screws from the switch housing cover.
2. Remove the plug or screw from the center of the switch housing cover.
3. Thread the switch housing cover onto the upper light housing. Align the screw holes in the upper light housing with the screw holes in the switch housing cover. Install the nut and washer onto the threaded rod from the light kit to secure the switch housing cover.
4. Remove the wire connectors from the two wires in the switch housing labeled "Connect Light Here" or "For Light Use." One wire is white and the other wire is black with a white stripe.
5. Feed the two wires from the switch housing through the threaded rod in the upper light housing.
6. To connect the wires, hold the bare metal leads together and place a wire connector over them, then twist the wire connector clockwise until tight. Connect the black wire with a white stripe from the switch housing to the black wire from the light kit. Connect the white wire from the switch housing to the white wire from the light kit. Secure all wire connections using wire connectors.
7. Align the threaded screw holes in the switch housing cover with the threaded holes in the switch housing. Attach the switch housing cover and light fixture to the switch housing using the included attachment screws.



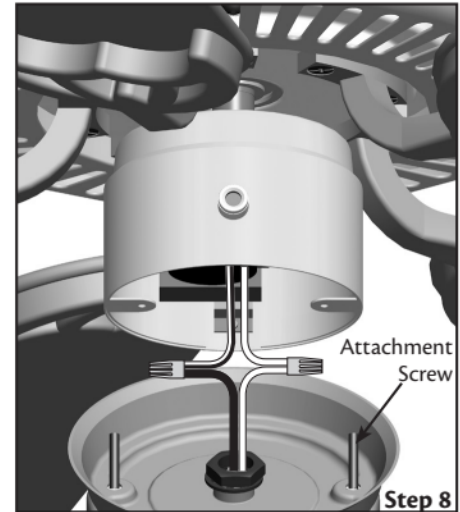
**CAUTION:** Be sure no bare metal wires or wire strands are visible after making the connections.

**WARNING:** Improper installation could cause the light fixture to fall.



## 2 • Installing the Light Kit on a Non-Removable Switch Housing (cont.)

8. Attach the light fixture to the switch housing with the two screws included with the light fixture, aligning the holes in the light fixture, switch housing cover, and switch housing.
9. Securely tighten the two screws.
10. Go to the instructions for Installing the Bulbs, Chains, and Globe.



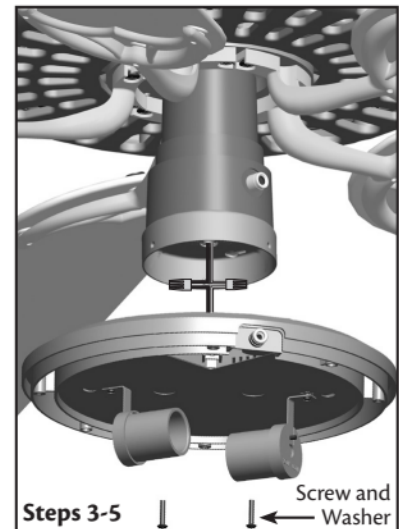
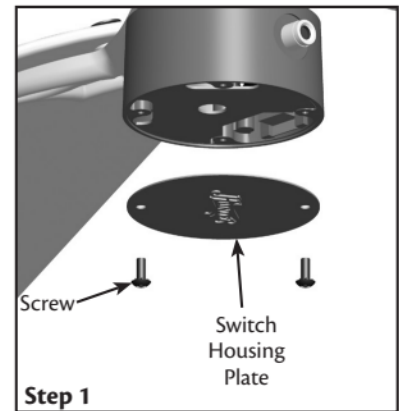
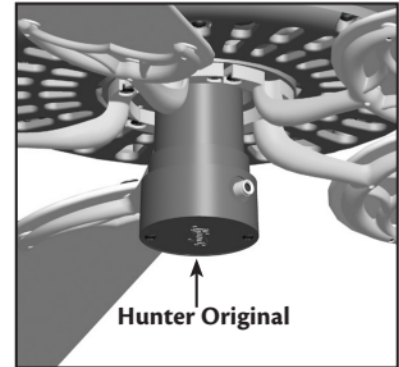
### 3 • Installing the Light Kit on the Hunter Original

1. Uninstall the two screws from the switch housing plate.  
**NOTE:** Save the switch housing cap should you choose to remove the light fixture in the future.
2. Remove the wire connectors from the two wires in the switch housing labeled “Connect Light Here” or “For Light Use.” One wire is white and the other wire is black wire with a white stripe. Thread the two wires through the hole in the center of the light fixture.
3. To connect the wires, hold the bare metal leads together and place a wire connector over them, then twist the wire connector clockwise until tight. Connect the black wire with a white stripe from the switch housing to the black wire from the light kit. Connect the white wire from the switch housing to the white wire from the light kit. Secure all wire connections using wire connectors.

**⚠ CAUTION:** Be sure no bare metal wires or wire strands are visible after making the connections.

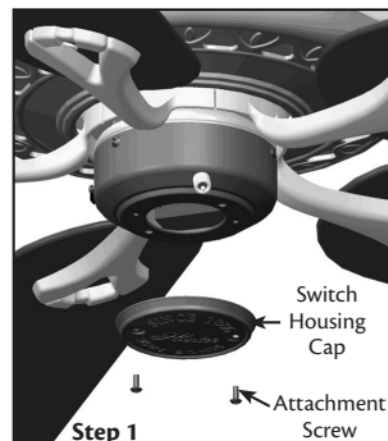
4. Attach the light fixture to the switch housing with the two screws included with the light fixture, aligning the holes in the fixture and switch housing.
5. Securely tighten the two screws.
6. Go to the instructions for Installing the Bulbs, and Globe.

**⚠ WARNING:** Improper installation could cause the light fixture to fall, or result in electrical shock or personal injury.



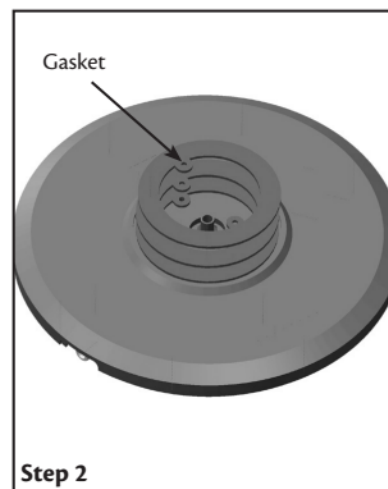
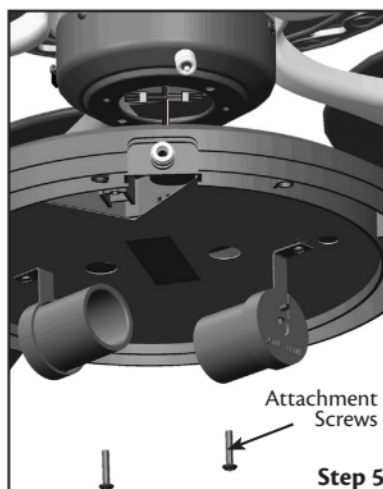
## 4 • Installing the Light Kit on a Fan with a Removable Switch Housing Cap

1. Uninstall the two attachment screws from the switch housing cap.
2. Align the screw holes in the included two additional gaskets with the screw holes on the top of the light kit.
3. Remove the wire connectors from the two wires in the switch housing labeled "Connect Light Here" or "For Light Use." One wire is white and the other wire is blue.
4. To connect the wires, hold the bare metal leads together and place a wire connector over them, then twist the wire connector clockwise until tight. Connect the blue from the switch housing to the black wire from the light kit. Connect the white wire from the switch housing to the white wire from the light kit. Secure all wire connections using wire connectors.
5. Align the threaded screw holes in the switch housing cover with the threaded holes in the switch housing. Attach light fixture to the switch housing using the included attachment screws.



**CAUTION:** Be sure no bare metal wires or wire strands are visible after making the connections.

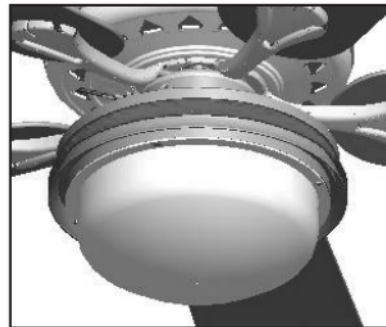
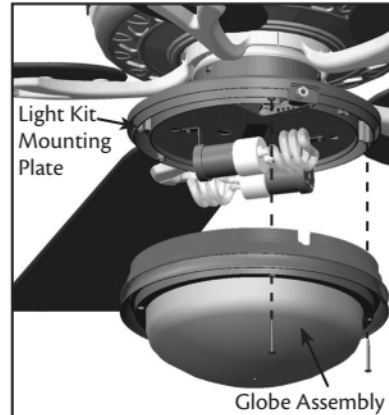
**WARNING:** Improper installation could cause the light fixture to fall.





## 5 • Installing the Bulbs, Chain, and Globe

1. Install the included CFL medium-based bulbs.
2. Align the screw holes in the globe assembly with the screw holes in the light kit mounting plate. Make sure that the U-shaped hole in the globe assembly aligns with the pull chain assembly.
3. Attach the globe assembly to the light kit mounting plate using the pre-installed screws. Tighten the screws securely to the light kit mounting plate.
4. The installation is complete and you can restore power to the ceiling fan.



CFL Bulb (included)

### Troubleshooting

#### **Light does not come on.**

1. Make sure bulbs are installed properly.
2. Make sure breakers or fuses are on.
3. Verify that the light power lead is connected at the ceiling. Refer to your ceiling fan manual for locating assembly and wiring.

#### **Glass rattles.**

1. Make sure the plastic globe is secure.

If you need parts or service assistance, please call 888-830-1326 or visit us at our Web site at <http://www.HunterFan.com>.

Hunter Fan Company  
7130 Goodlett Farms Pkwy, Suite 400  
Memphis, Tennessee 38016