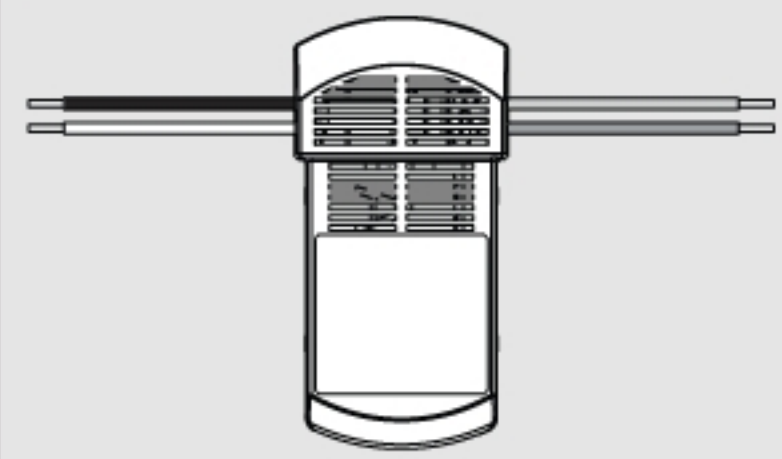


Hunter SIMPLEconnect™

add-on receiver model 99106 installation guide



Read and Save These Instructions
This product conforms to UL Standard 60950.

⚠ WARNINGS

This device complies with part 15 of the FCC Rules. Operation is subject to the following two conditions: (1) this device may not cause harmful interference, and (2) this device must accept any interference received, including interference that may cause undesired operation.

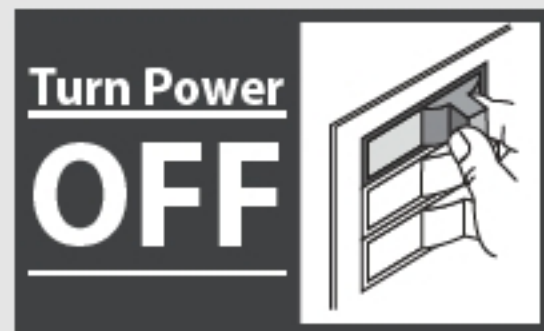
This device complies with RSS-210 of Industry Canada. Operation is subject to the following two conditions: (1) this device may not cause interference, and (2) this device must accept any interference, including interference that may cause undesired operation of the device.

This equipment has been tested and found to comply with the limits for a Class B digital device, pursuant to Part 15 of the FCC Rules. These limits are designed to provide reasonable protection against harmful interference in a residential installation. This equipment generates, uses and can radiate radio frequency energy and, if not installed and used in accordance with the instructions, may cause harmful interference to radio communications. However there is no guarantee that interference will not occur in a particular installation. If this equipment does cause harmful interference to radio or television reception, which can be determined by turning the equipment off and on, the user is encouraged to try to correct the interference by one or more of the following measures: Reorient or relocate the receiving antenna, Increase the separation between the equipment and receiver, Connect the equipment into an outlet on a circuit different from that to which the receiver is connected. Consult the dealer or an experienced radio/TV technician for help. Note: Any changes or modifications to the transmitter or receiver not expressly approved by Hunter Fan Company may void one's authority to operate this remote control.

Hunter Fan Company Control Limited Warranty
The Hunter Fan Company makes the following limited warranty to the original purchaser of the Receiver ("Control"): Your Control is warranted to be free from defects in material and workmanship for a period of one year from the date of sale. If the Control malfunctions or fails within the warranty period due to a defect in material or workmanship we will replace it free of charge. IF THE ORIGINAL PURCHASER CEASES TO OWN THE CONTROL, THIS WARRANTY AND ANY IMPLIED WARRANTY, INCLUDING BUT NOT LIMITED TO ANY IMPLIED WARRANTY OF MERCHANTABILITY OR FITNESS FOR A PARTICULAR PURPOSE, ARE VOIDED. THIS WARRANTY IS IN LIEU OF ALL OTHER EXPRESS WARRANTIES. THE DURATION OF ANY IMPLIED WARRANTY, INCLUDING, BUT NOT LIMITED TO, ANY IMPLIED WARRANTY OF MERCHANTABILITY OR FITNESS FOR A PARTICULAR PURPOSE, IN RESPECT TO ANY CONTROL, IS EXPRESSLY LIMITED TO THE PERIOD OF THE EXPRESS WARRANTY SET FORTH ABOVE FOR SUCH CONTROL. This warranty excludes malfunctions or failures which were caused by repairs by persons not authorized by us, mishandling, improper installation, modifications, or damage to the Control while in your possession, or unreasonable use. This warranty does not apply to batteries or to deterioration or damage to the product caused by the use of faulty batteries. IN NO EVENT SHALL HUNTER FAN COMPANY BE LIABLE FOR CONSEQUENTIAL OR INCIDENTAL DAMAGES. SOME STATES DO NOT ALLOW LIMITATIONS ON HOW LONG AN IMPLIED WARRANTY LASTS OR THE EXCLUSION OR LIMITATIONS OF INCIDENTAL OR CONSEQUENTIAL DAMAGES SO THE ABOVE LIMITATIONS OR EXCLUSIONS MAY NOT APPLY TO YOU. THIS WARRANTY GIVES YOU SPECIFIC LEGAL RIGHTS AND YOU MAY ALSO HAVE OTHER RIGHTS WHICH VARY FROM STATE TO STATE.

1 If your fan has pull chains, use the pull chains to **set the fan speed to HIGH and the light to ON** before disconnecting power.

2 Ensure that power is **OFF at the circuit breaker** before proceeding with installation.



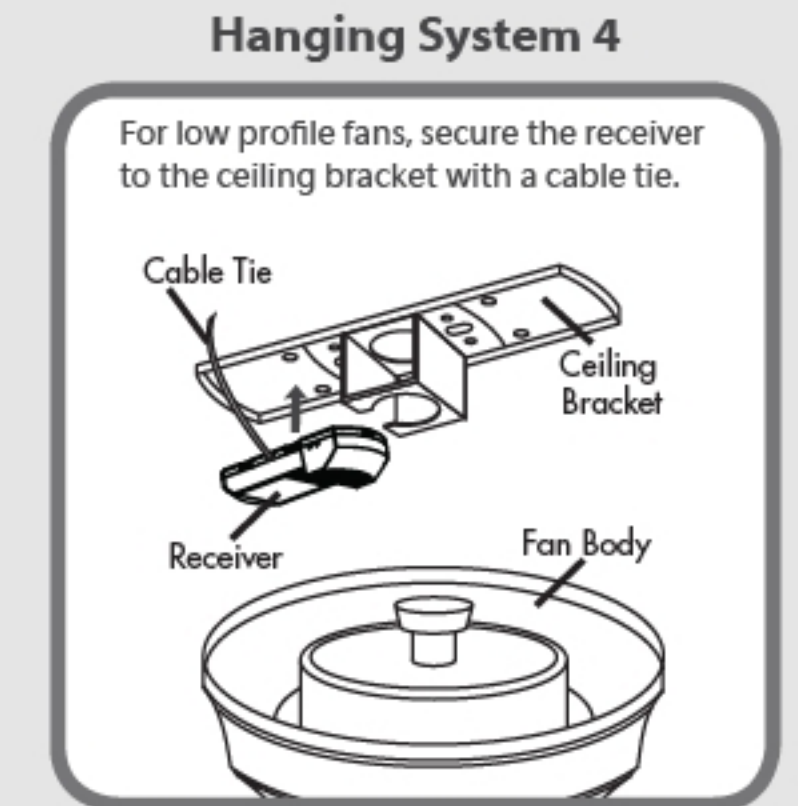
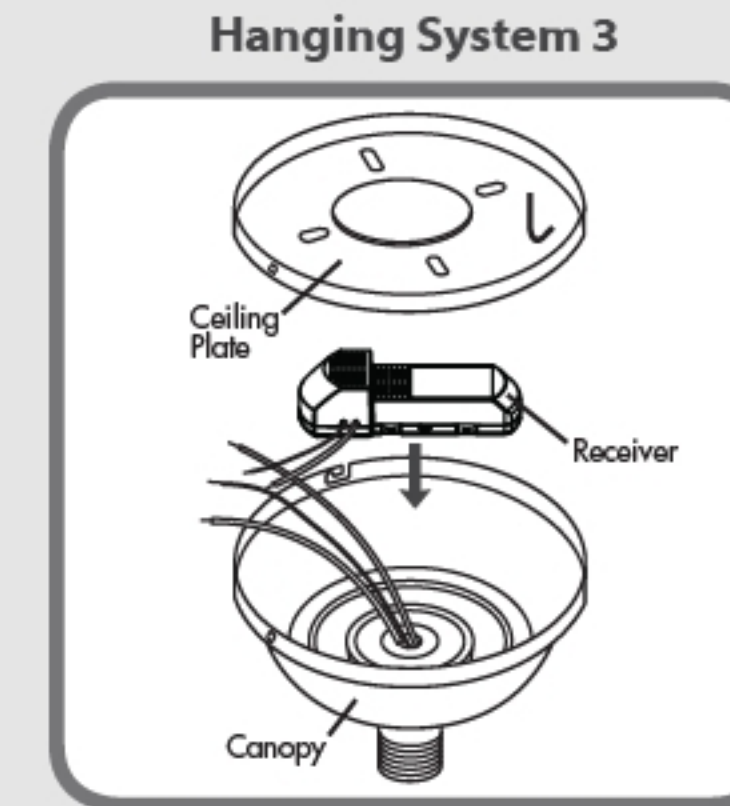
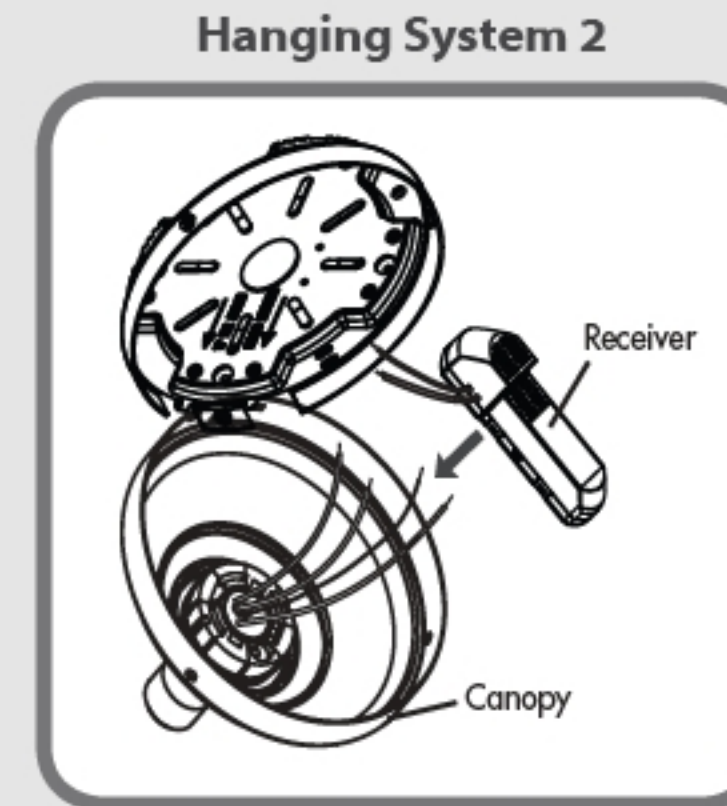
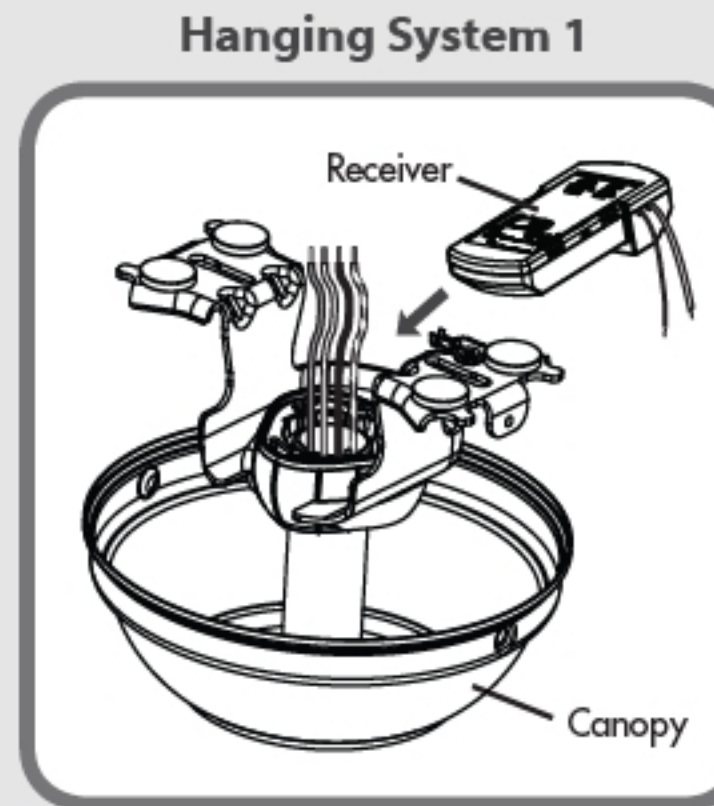
3 **Remove the canopy.** If uncertain how to remove it, reference the fan's owner's manual. With wiring exposed, you may wish to note existing wire connections or take a photo for reference. **Remove the wire connectors that connect the wires from the outlet box to the fan, leaving the grounding wires connected.**



4 **Choose the hanging system to the right that most closely resembles the one used by your fan and place the receiver as shown.**

WARNING: This receiver cannot be installed in conjunction with any other receiver or hard-wired wall control. Doing so will void your warranty.

Note: If your canopy is crowded with excess wire, you may wish to cut the excess fan wires. Leave a minimum of 8 inches remaining. Strip the fan lead wires 1/2 inch. Place remaining excess wire into the ceiling electrical box. **The bracket and fan must remain properly grounded.**



If the fan is installed on an angled ceiling and you need assistance with installation, please call 1-888-830-1326.

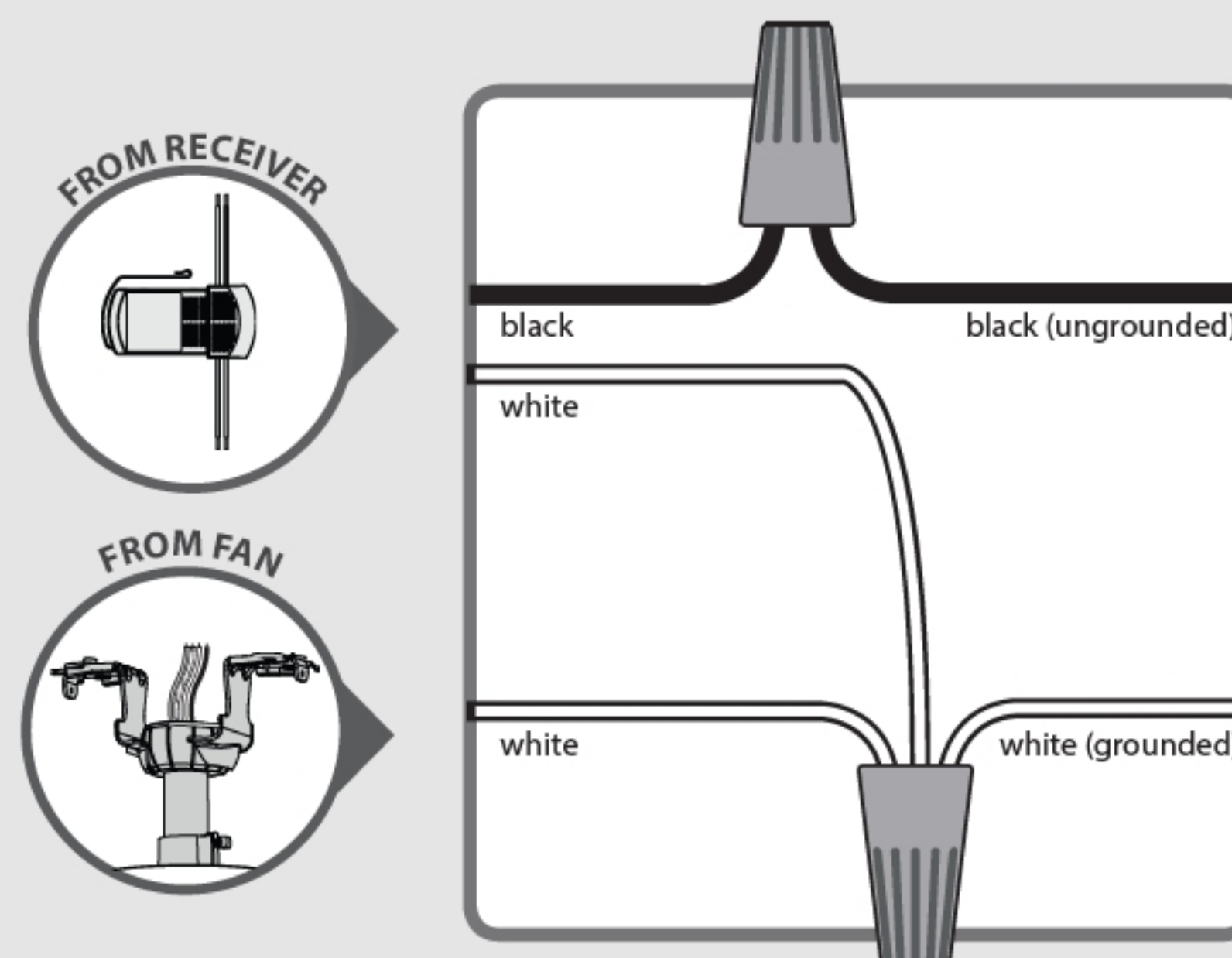
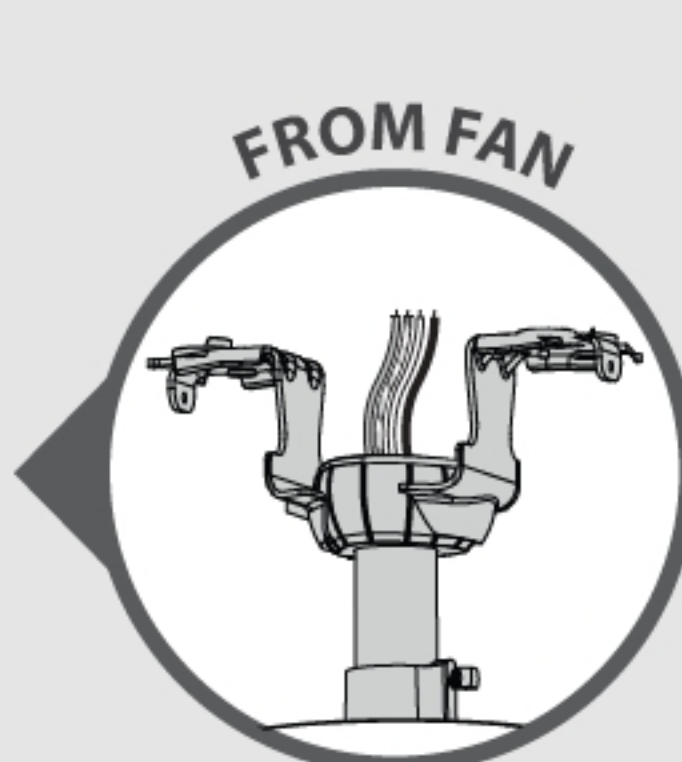
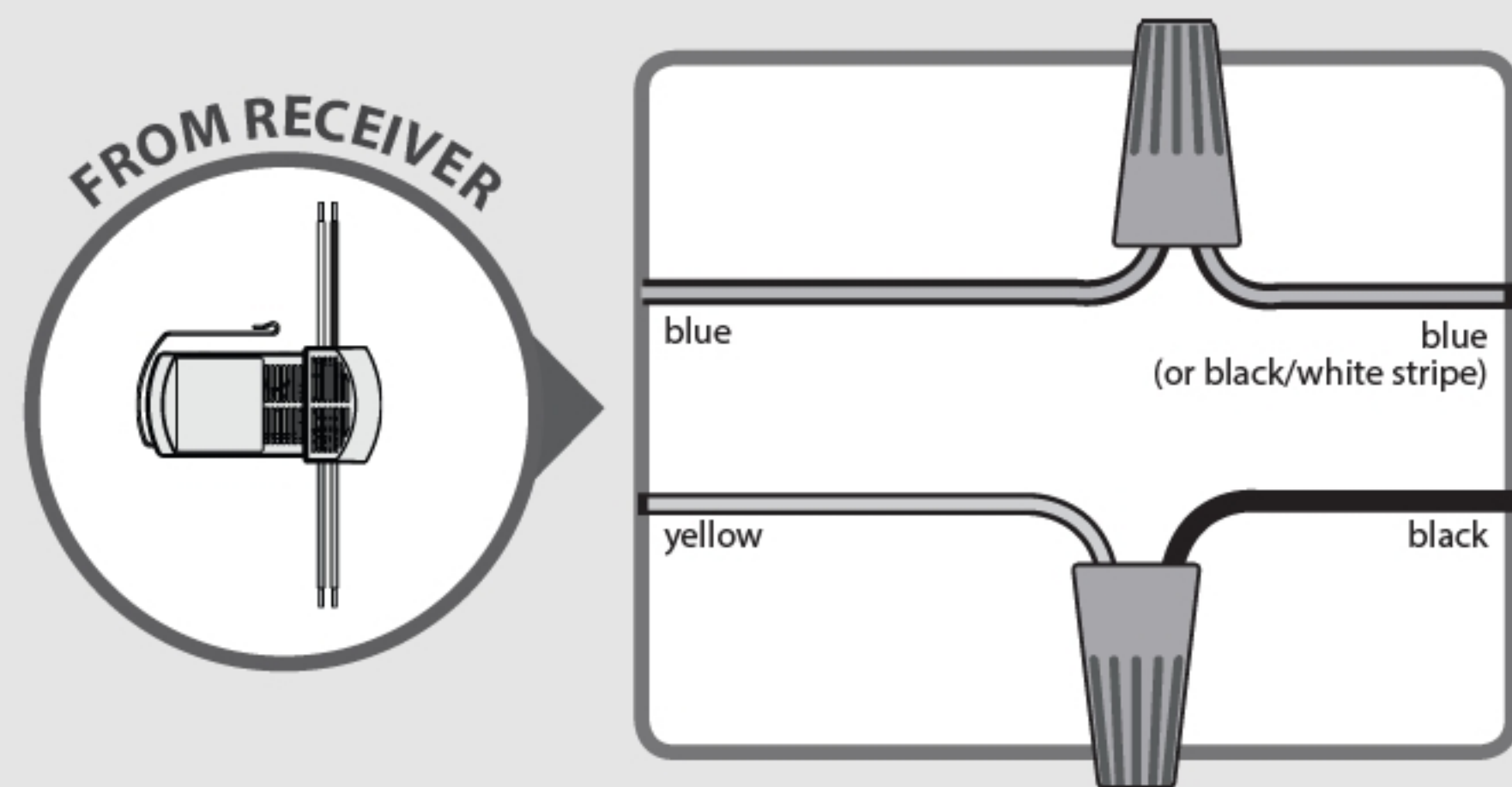
5 **Connect wires from the receiver to wires from the fan as shown.** Using the wire connectors, connect the blue wire from the receiver to the light wire (blue or possibly black with white stripe) from the fan. Connect the yellow wire from the receiver to the motor wire (black) from the fan. If you're uncertain about wire colors or connections, please contact a qualified electrician.

6 **Connect wires from the receiver and fan to wires from the ceiling as shown.** Using the wire connectors, connect the black wire (ungrounded) from the ceiling to the black wire from the receiver. Connect the white wire (grounded) from the ceiling to both the white wire from the receiver and the white wire from the fan. If you're uncertain about wire colors or connections, please contact a qualified electrician.

7 After all wires are connected and secured with wire connectors, **reinstall the canopy.** If uncertain how to install the canopy, reference the fan's owner's manual.

8 Restore power at the circuit breaker.

Congratulations! You have successfully installed your add-on receiver. Visit the info screen in the app to continue setup and add this fan to your SIMPLEconnect programmable control.



To avoid possible electrical shock, before installing or servicing your fan, disconnect the power by turning off the circuit breakers to the outlet box and associated wall switch location. If you cannot lock the circuit breakers in the off position, securely fasten a prominent warning device, such as a tag, to the service panel.



Turn the splices upward and push them carefully back through the hanger bracket into the outlet box. Spread the wires apart, with the grounded wires on one side of the outlet box and the ungrounded wires on the other side of the outlet box.

