

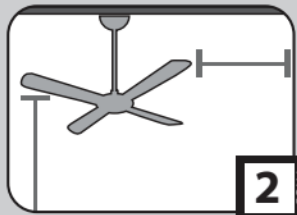
Congratulations on purchasing your new Hunter® ceiling fan! It will provide comfort and performance in your home or office for many years. This installation and operation manual contains complete instructions for installing and operating your fan.

We are proud of our work and appreciate the opportunity to supply you with the best ceiling fan available anywhere in the world.

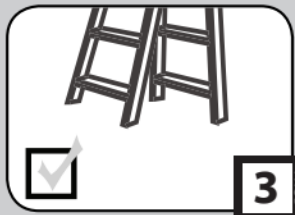
To register your fan, please visit:
www.HunterFan.com/register

Save your receipt for proof of purchase.

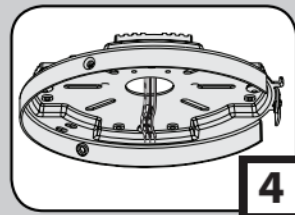
What to Expect with Your Installation



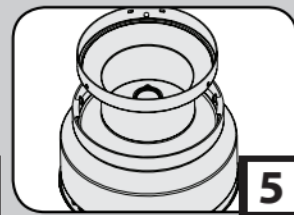
Tools Needed



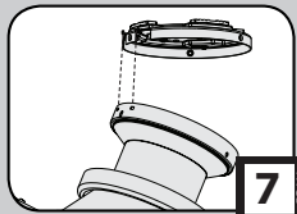
Ceiling Plate



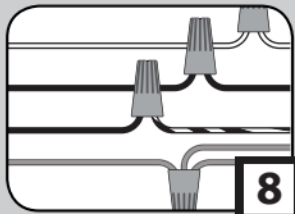
Top Housing



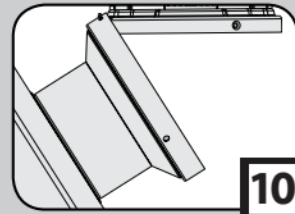
Hanging the Fan



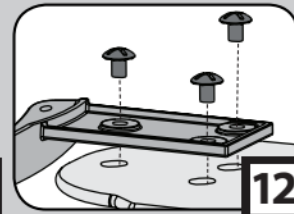
Wiring



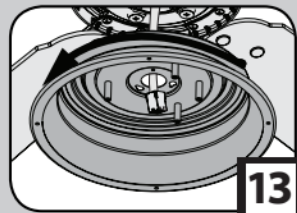
Canopy



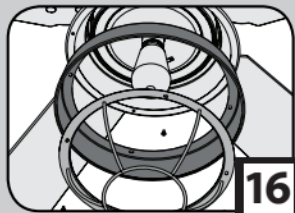
Blades



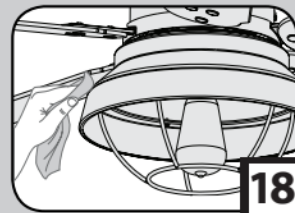
Switch Housing



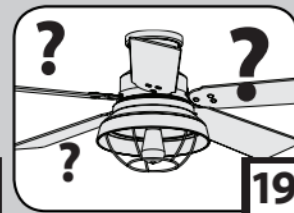
Light Kit

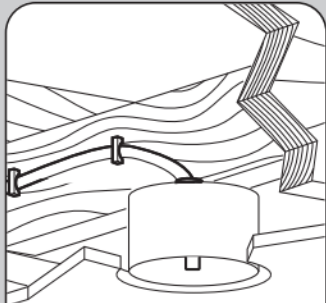


Maintenance, Operation & Cleaning



Troubleshooting

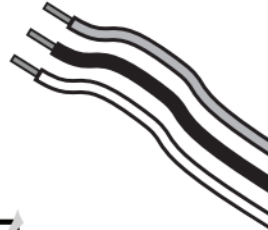




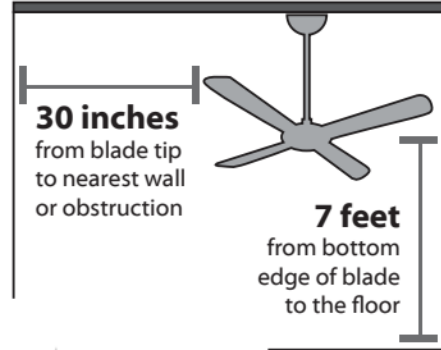
Must be able to secure the fan to building structure or fan-rated outlet box



If you are unfamiliar with wiring, use a qualified electrician.



Know your wiring



Assess location

You may need a friend to help you.



Check box to see fan weight

Read and Save These Instructions

This product conforms to UL Standard 507.

⚠ WARNINGS

w.1 - To reduce the risk of fire, electrical shock, or personal injury, mount fan directly from building structure and/or an outlet box marked acceptable for fan support of 70 lbs (31.8 kg) and use the mounting screws provided with the outlet box.

w.2 - To avoid possible electrical shock, before installing or servicing your fan, disconnect the power by turning off the circuit breakers to the outlet box and associated wall switch location. If you cannot lock the circuit breakers in the off position, securely fasten a prominent warning device, such as a tag, to the service panel.

w.3 - To reduce the risk of fire, electrical shock, or motor damage, use only Hunter Solid State Speed Controls.

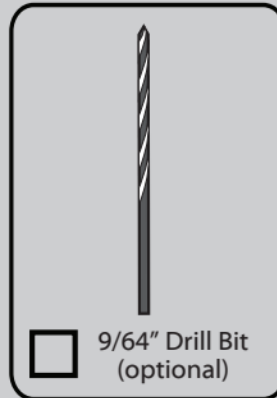
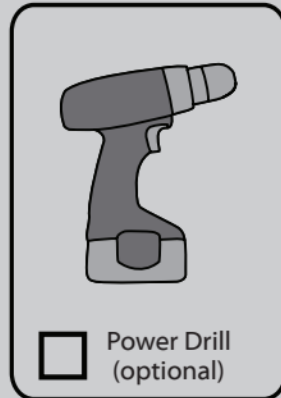
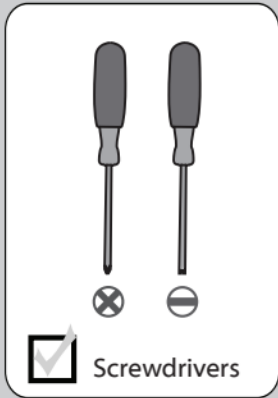
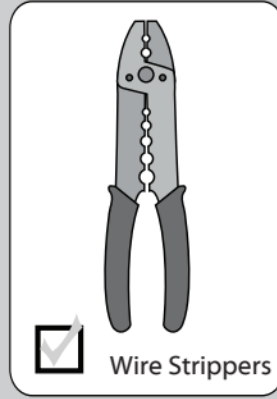
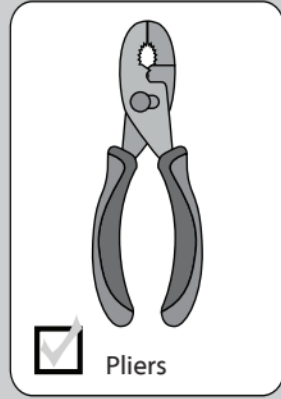
w.4 - To reduce the risk of personal injury, do not bend the blade brackets when installing the blade brackets, balancing the blades, or cleaning the fan. Do not insert foreign objects in between rotating fan blades.

⚠ CAUTIONS

c.1 - All wiring must be in accordance with national and local electrical codes ANSI/NFPA 70. If you are unfamiliar with wiring, use a qualified electrician.

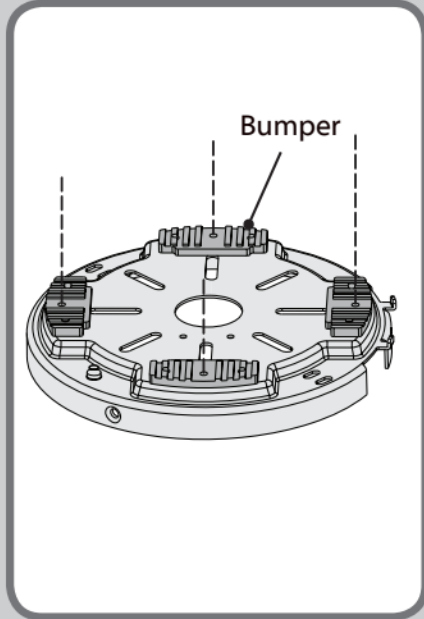
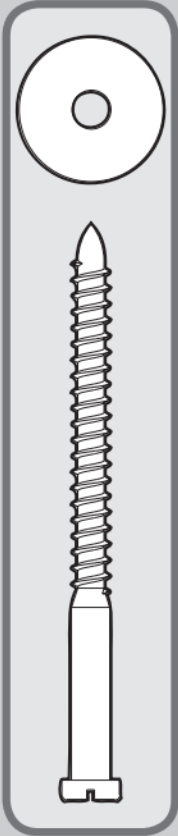
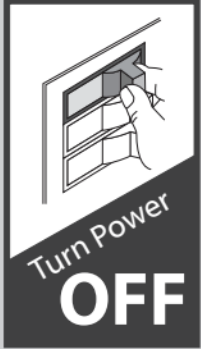
c.2 - Use only Hunter replacement parts.



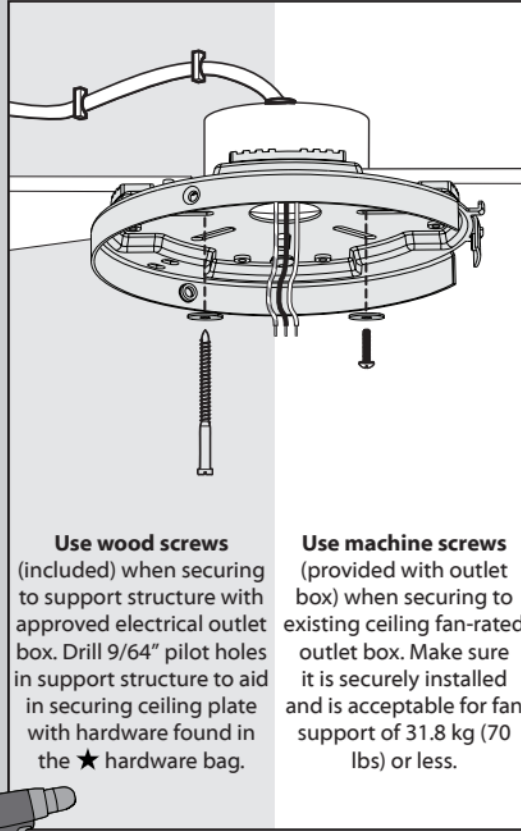


Do not discard the hardware bags or mix parts from different bags. Make note of the symbol printed on each hardware bag. The symbols can be used to identify the appropriate hardware for each step.

If mounting to a support structure, you will also need these tools.

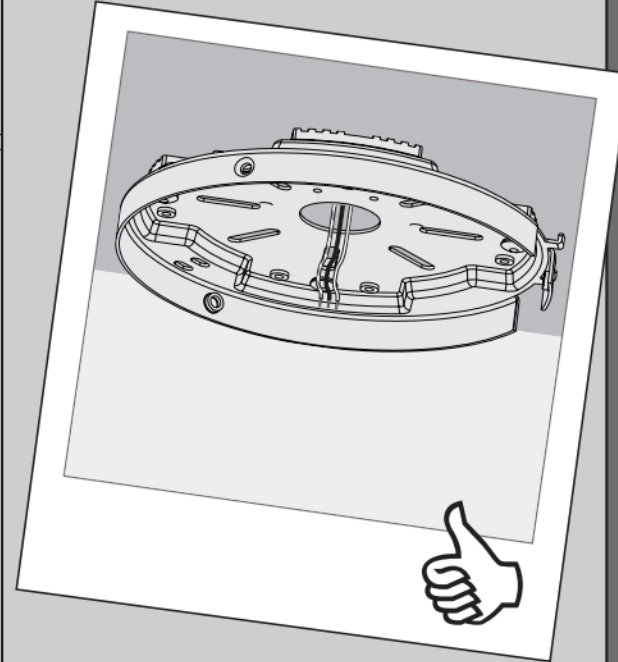


Make sure all four bumpers are still attached.



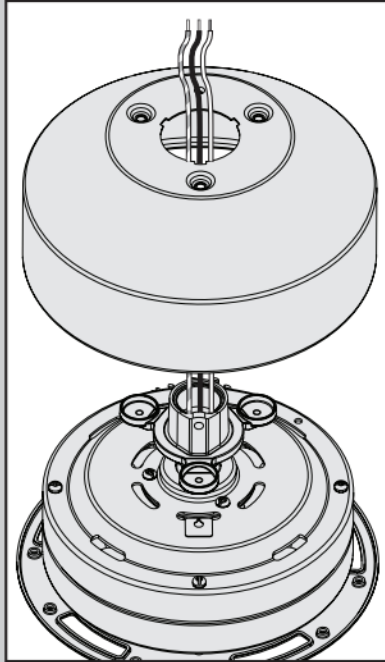
Use wood screws (included) when securing to support structure with approved electrical outlet box. Drill 9/64" pilot holes in support structure to aid in securing ceiling plate with hardware found in the ★ hardware bag.

Use machine screws (provided with outlet box) when securing to existing ceiling fan-rated outlet box. Make sure it is securely installed and is acceptable for fan support of 31.8 kg (70 lbs) or less.

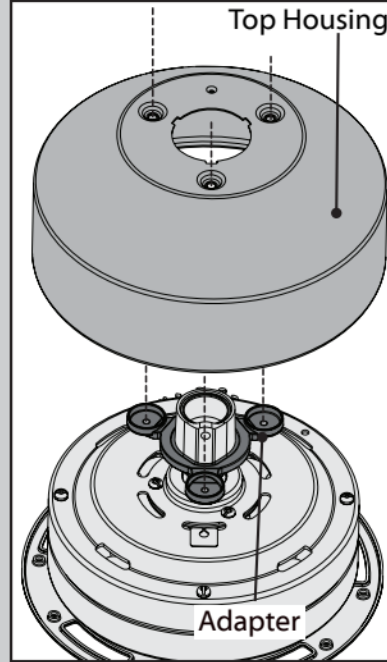


To avoid possible electrical shock, before installing your fan, disconnect the power by turning off the circuit breakers to the outlet box associated with the wall switch location.

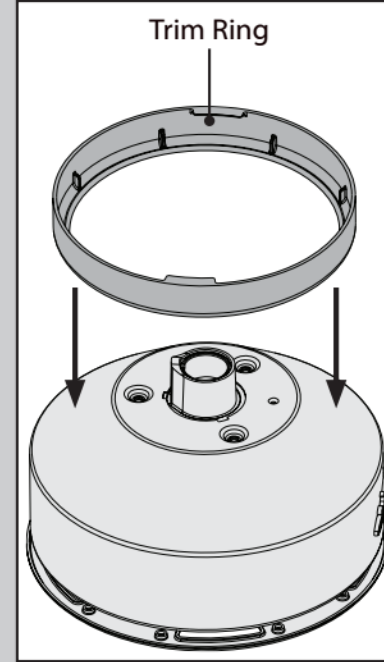
Refer to warning w.1 on pg. 2



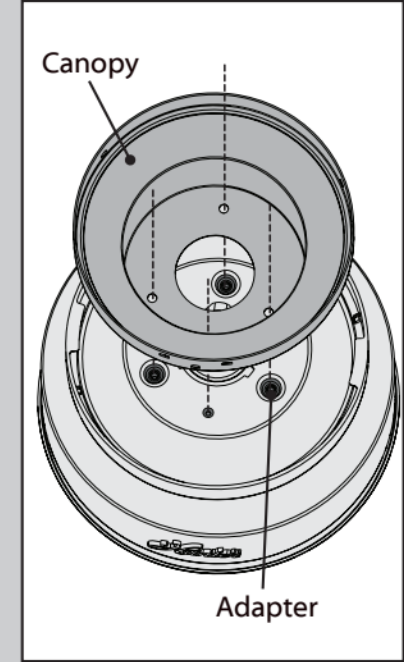
Thread the wires through the top housing.



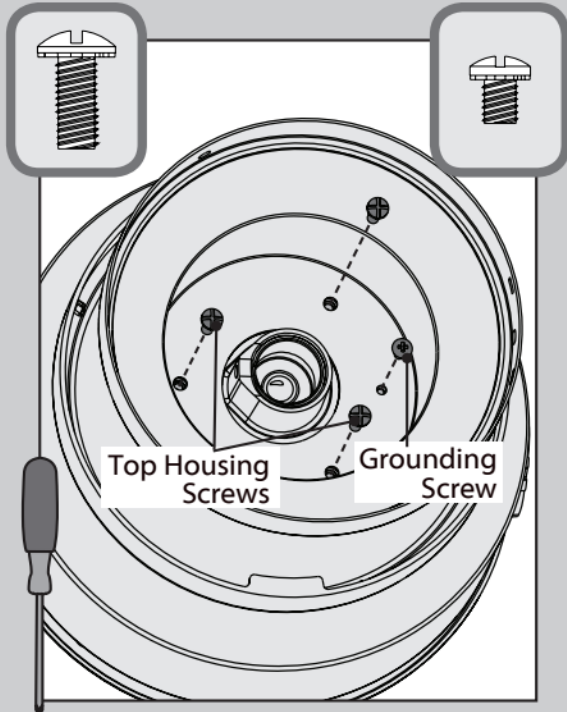
Place the top housing onto the adapter so that the holes in the top housing lineup with the holes in the motor housing and the adapter.



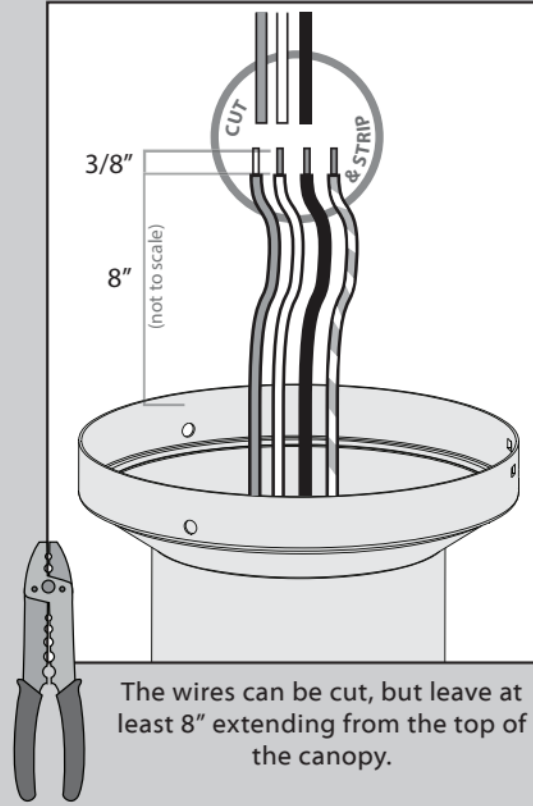
Rest the trim ring on the top housing.



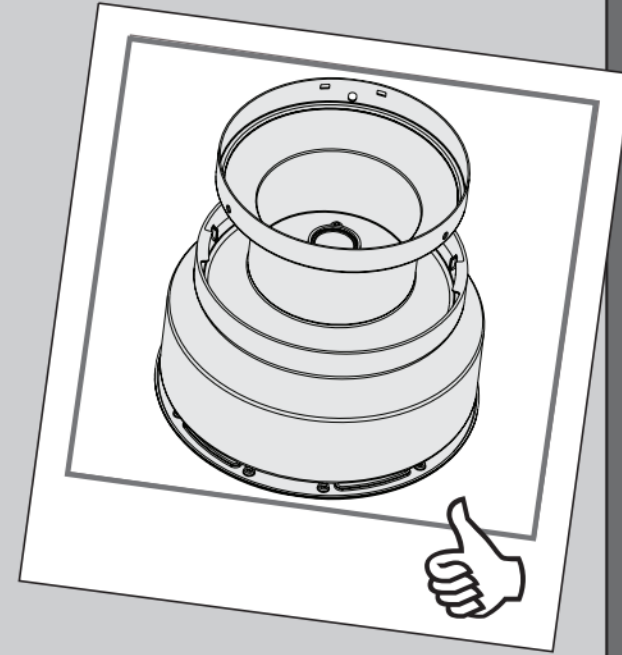
Place the canopy on the top housing. Ensure all four screw holes lineup with the screw holes in both the top housing and the adapter.

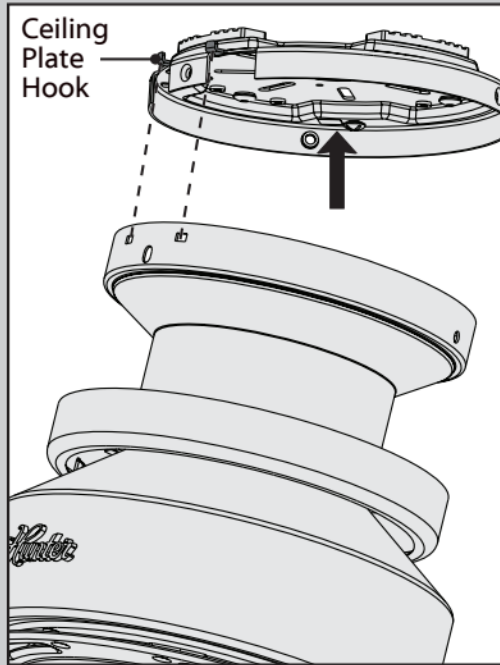


⊗ Install the top housing screws. Install the grounding screw in the smaller screw hole. These screws can be found in the ● hardware bag.



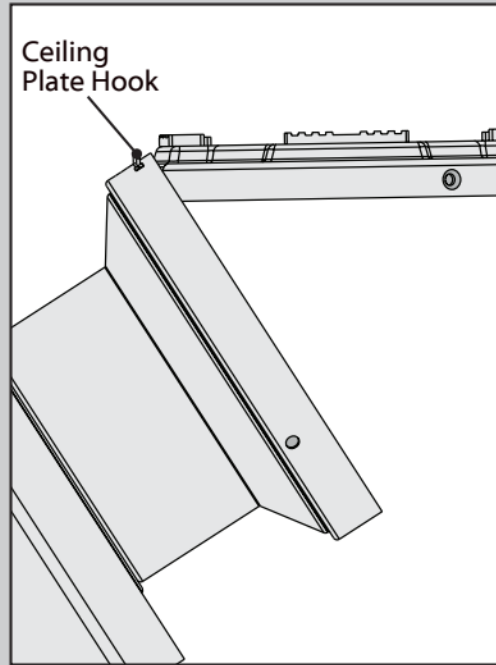
The wires can be cut, but leave at least 8" extending from the top of the canopy.



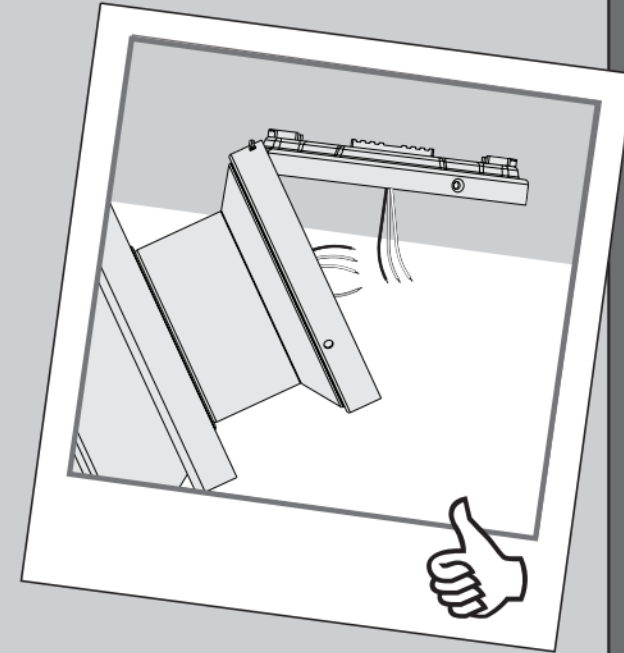


Raise the fan and align the slots in the canopy with the hooks on the ceiling plate.

Note: To hang the fan, you must tilt the canopy to an almost vertical position so that the canopy slots sit on the ceiling plate hooks.



Place the slots over the ceiling plate hooks to hang the fan.



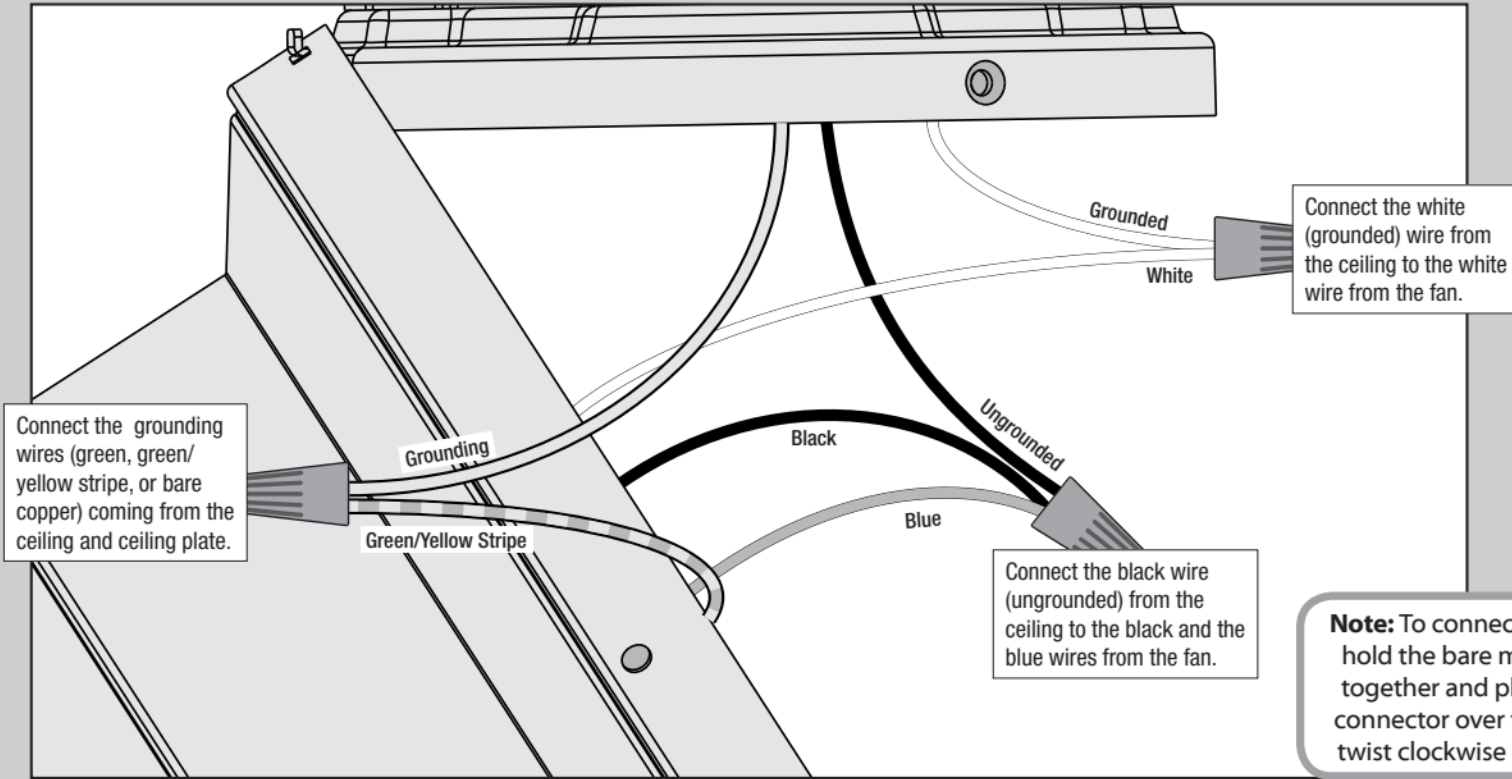
Note: Fan style may vary.



Have a single switch?
Follow these steps:

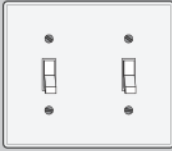


Dual Switch
Instructions

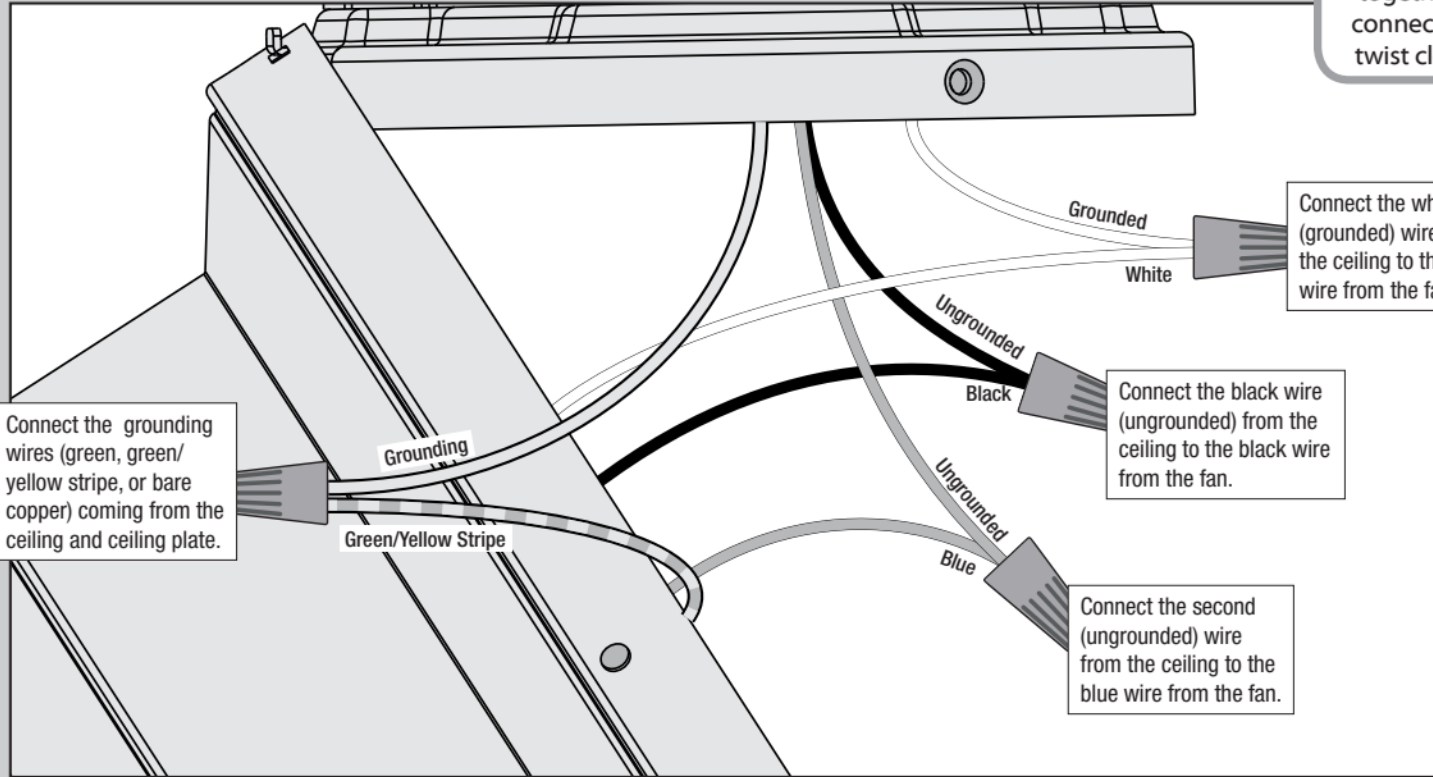


Refer to CAUTION c.1 on pg. 2

Turn the splices upward and push them carefully back through the hanger bracket into the outlet box. Spread the wires apart, with the grounded wires on one side of the outlet box and the ungrounded wires on the other side of the outlet box.



Have dual switches?
Follow these steps:



Connect the grounding wires (green, green/yellow stripe, or bare copper) coming from the ceiling and ceiling plate.

Connect the white (grounded) wire from the ceiling to the white wire from the fan.

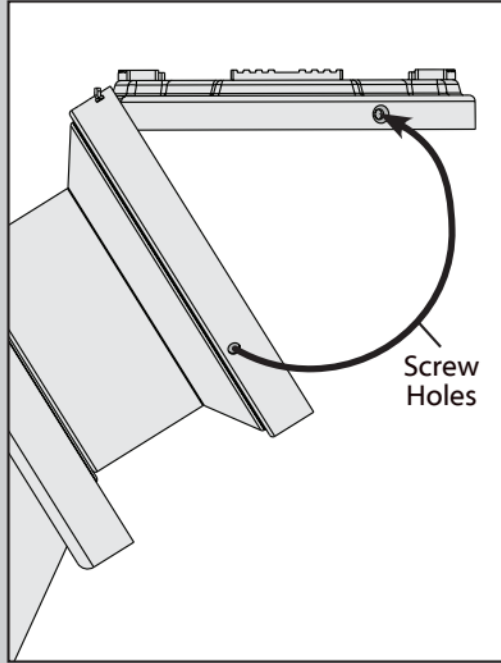
Connect the black wire (ungrounded) from the ceiling to the black wire from the fan.

Connect the second (ungrounded) wire from the ceiling to the blue wire from the fan.

Note: To connect the wires, hold the bare metal leads together and place a wire connector over them, then twist clockwise until tight.

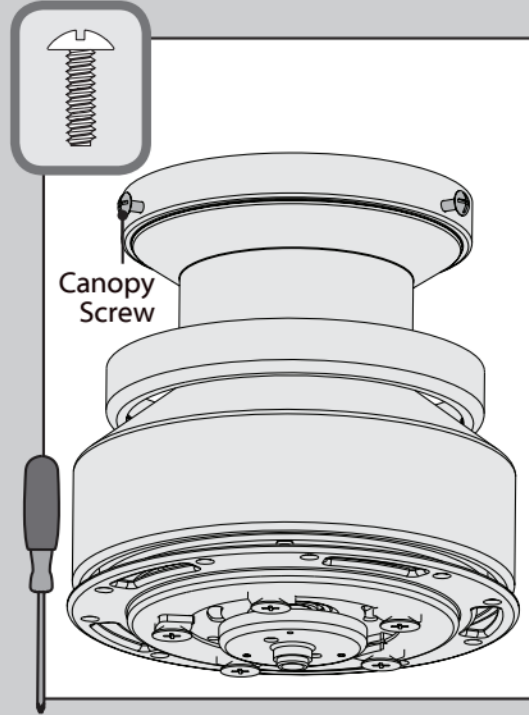
Refer to CAUTION c.1 on pg. 2

Turn the splices upward and push them carefully back through the hanger bracket into the outlet box. Spread the wires apart, with the grounded wires on one side of the outlet box and the ungrounded wires on the other side of the outlet box.

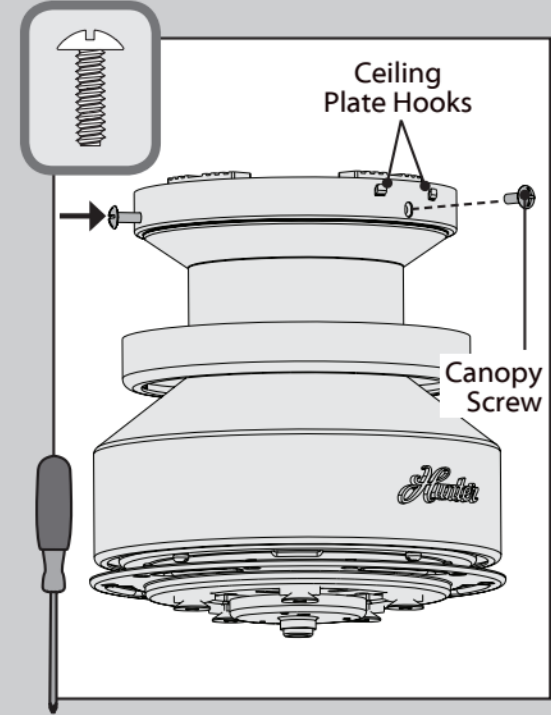


Swing the fan up to align the canopy screw holes with the mounting holes on the ceiling plate.

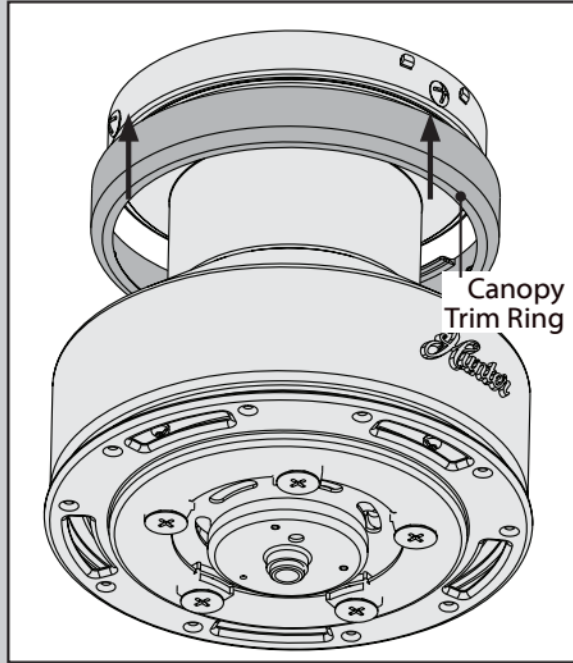
Note: The slots in the canopy must remain engaged while swinging the canopy for alignment.



⊗ Hold the canopy up with the screw holes aligned. Partially install two canopy screws, found in the ● hardware bag, into the holes opposite the ceiling plate hooks.

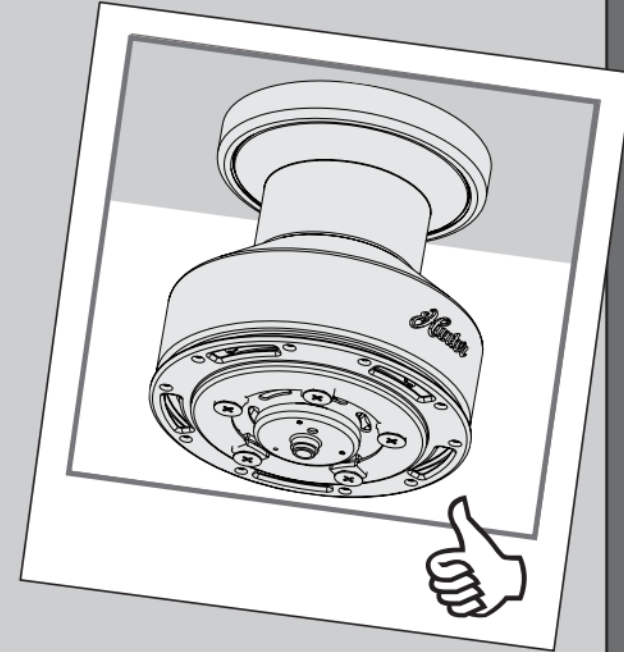


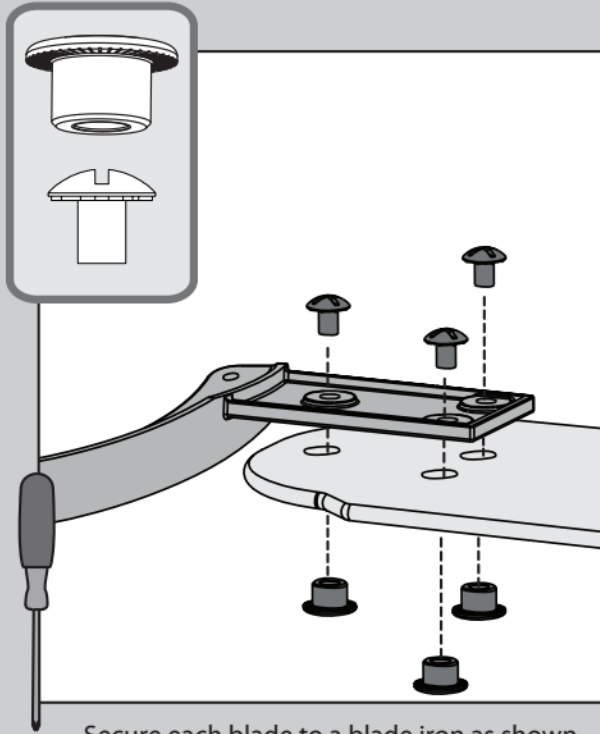
⊗ Partially install a canopy screw, found in the ● hardware bag, between the ceiling plate hooks. When all the holes are properly aligned, securely tighten all three canopy screws.



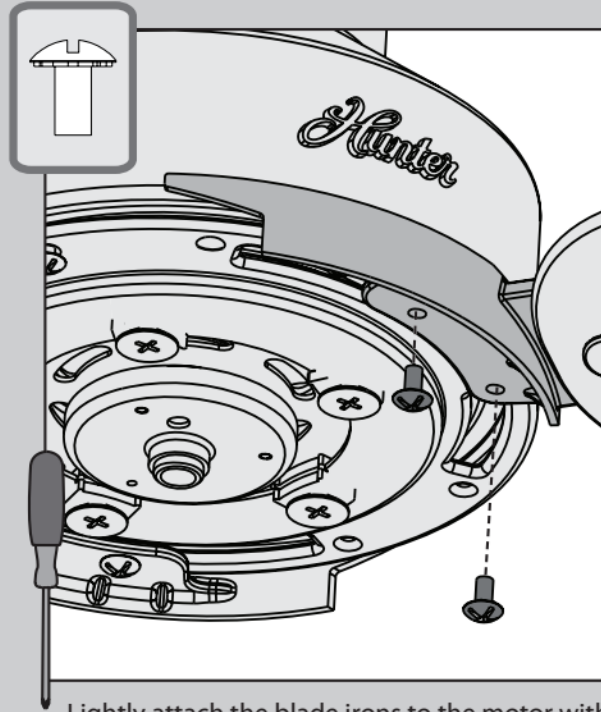
Using both hands, push the canopy trim ring up to the top of the canopy. The canopy trim ring will snap and lock into place.

Note: Should you need to remove the trim ring, press firmly on opposite sides of the trim ring. The tabs will flex out releasing the canopy trim ring.

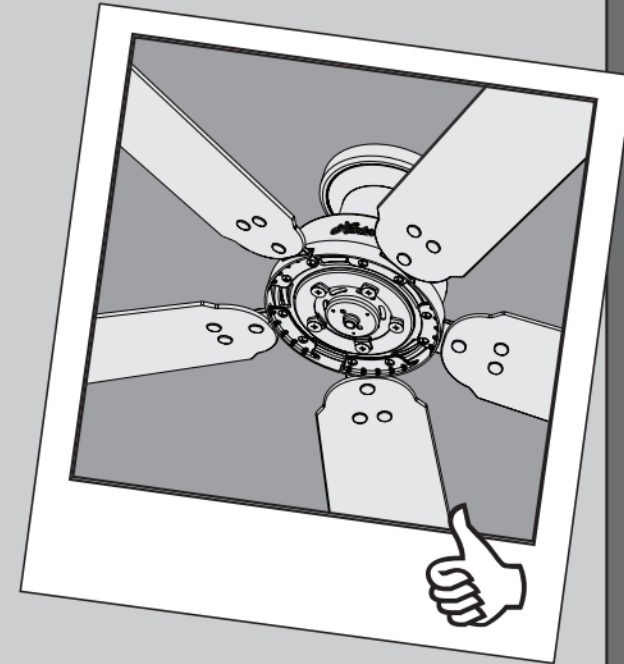


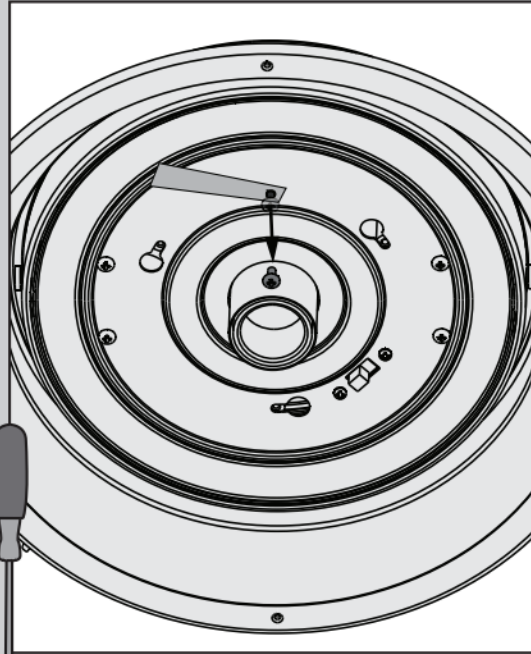


- ⊗ Secure each blade to a blade iron as shown using the blade nuts, found in the ■ hardware bag, and the blade assembly screws, found in the ▲ hardware bag.

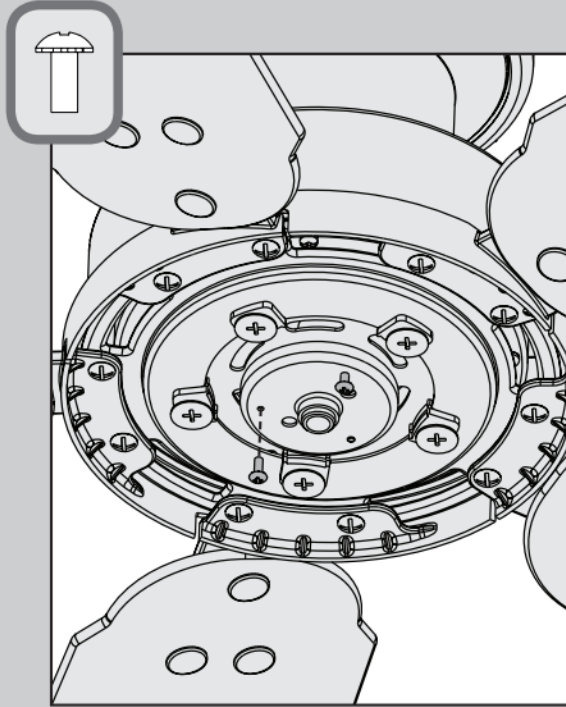


- ⊗ Lightly attach the blade irons to the motor with the blade iron armature screws, found in the ☒ hardware bag, then securely tighten after all screws are attached.

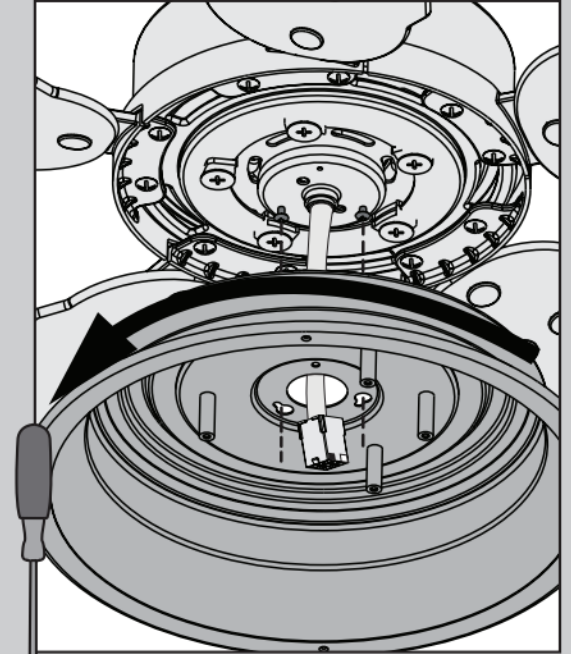




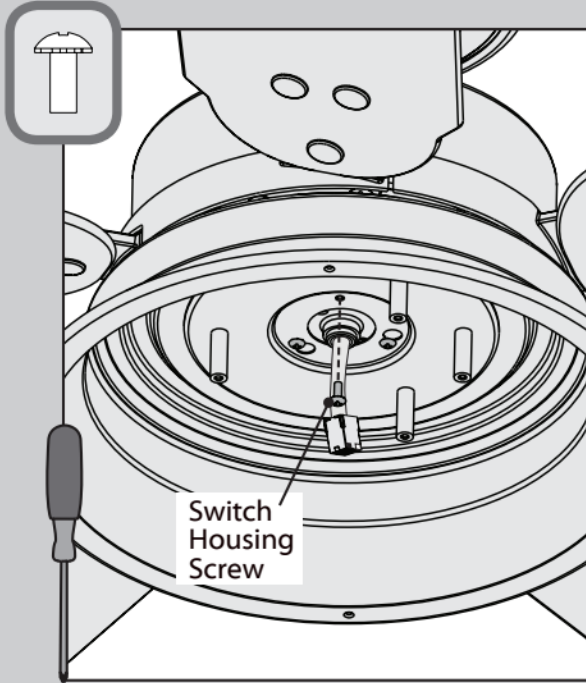
- ⊗ Remove the pre-installed screw and red label from the switch housing.
SAVE THE SCREW.
Note: The screw was installed for shipping purposes only.



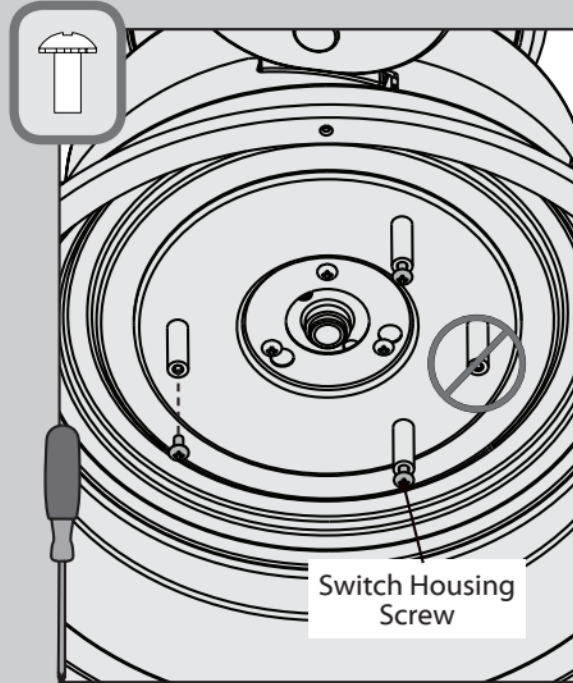
- Screw two (2) housing assembly screws from the hardware ≡ bag halfway into the motor housing. It does not matter which two screw holes you choose.



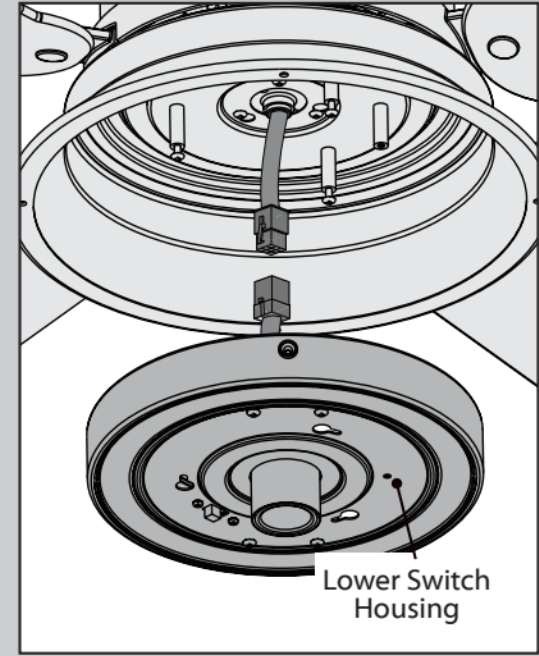
- ⊗ Feed the wire plug through the center hole of the upper switch housing, then wrap keyhole slots around the screws and twist counterclockwise.



- ⊗ Insert the third screw, found in the hardware bag, into place and then tighten all three (3) screws.

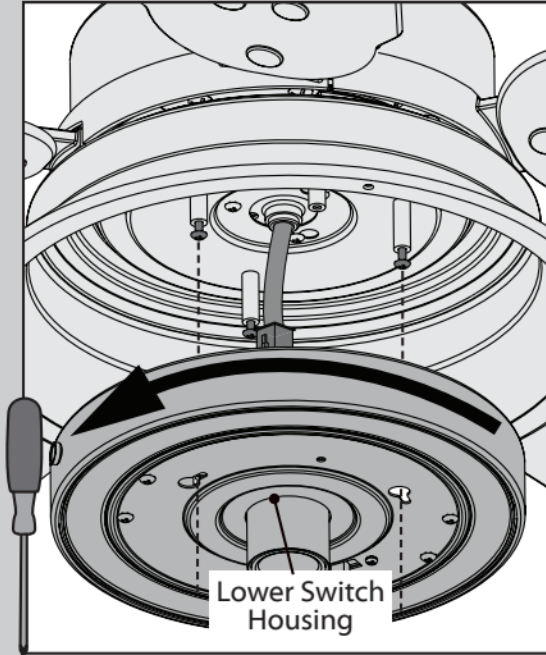


- ⊗ To attach the lower switch housing, partially install three switch housing screws into the standoffs as shown, leaving the circled standoff empty.

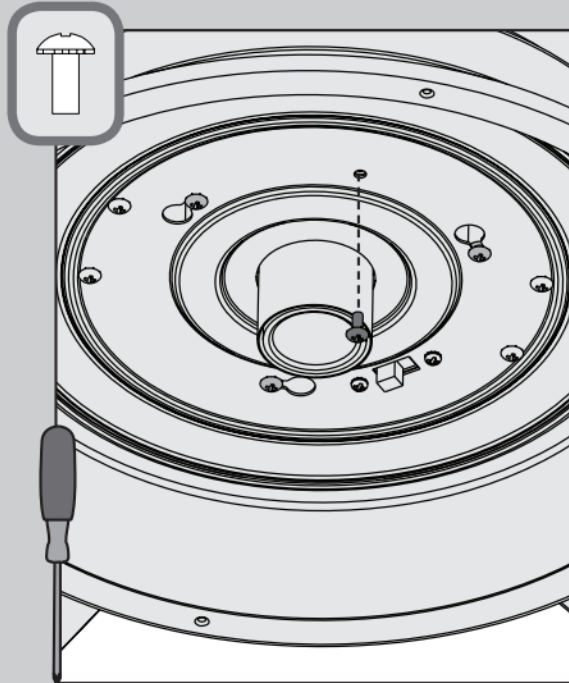


- Connect the plugs from the upper and lower switch housings. Make sure to line up the colored markings on the connectors.

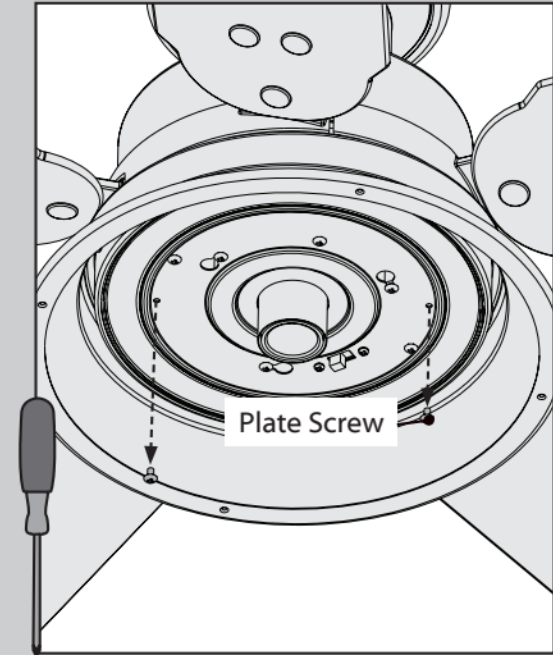
Make sure the upper switch housing is securely attached to the mounting plate. Failure to properly secure all 3 assembly screws could result in the switch housing fixture falling.



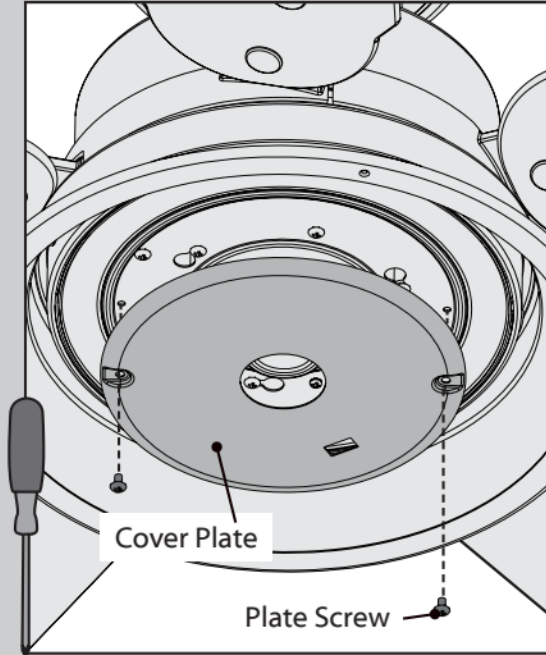
⊗ Align the keyhole slots in the lower switch housing with the stand off screws. Turn the housing counterclockwise until the stand off screws are firmly situated in the narrow end of the keyhole slots.



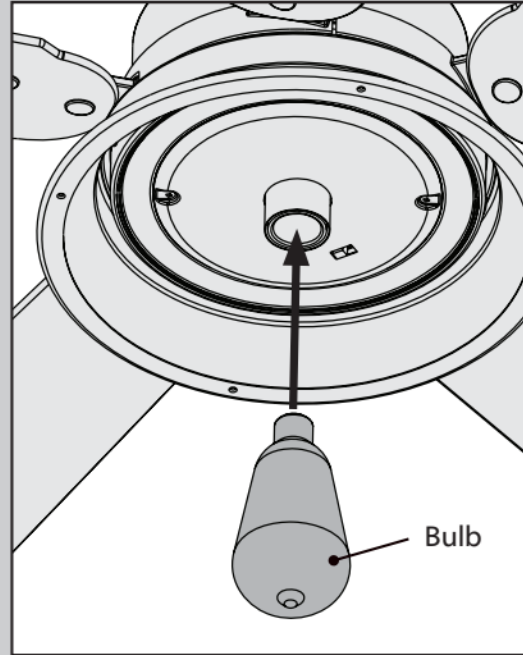
⊗ **Remember the screw you saved?** Install it back into the housing. Tighten all four screws firmly.



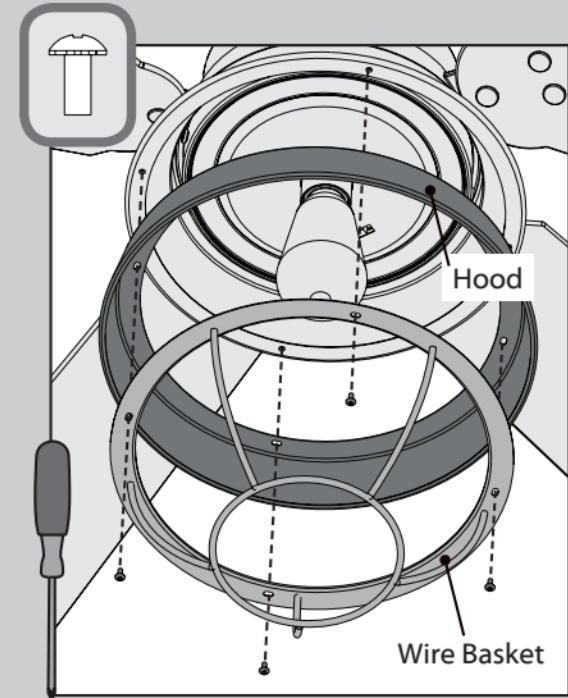
⊗ Remove the two pre-installed plate screws from the switch housing. **Save the screws**



- ⊗ Lift the cover plate, aligning the screw holes with the screw holes in the switch housing. Install the plate screws to secure the cover plate to the switch housing.

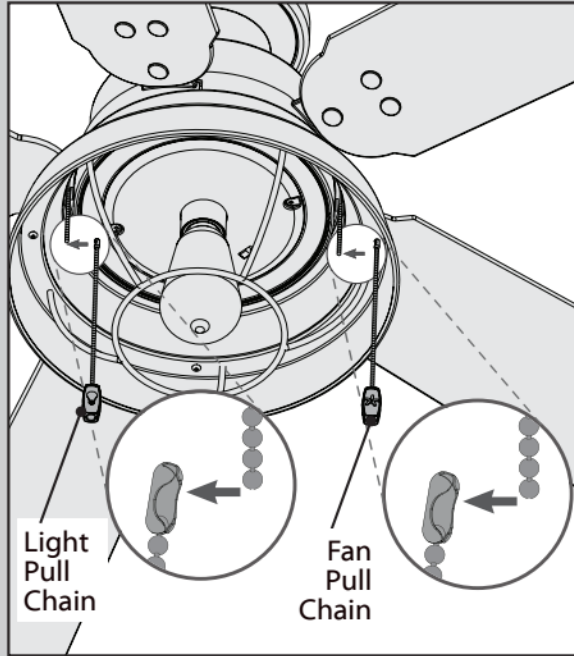


- Install one E-26 60-watt light bulb. When necessary, replace with bulb of the same wattage.



- ⊗ Align the holes in the wire basket and the hood with the holes on the rim of the upper switch housing. Install four switch housing screws, found in the ☰ hardware bag, through wire basket and hood into the upper switch housing.

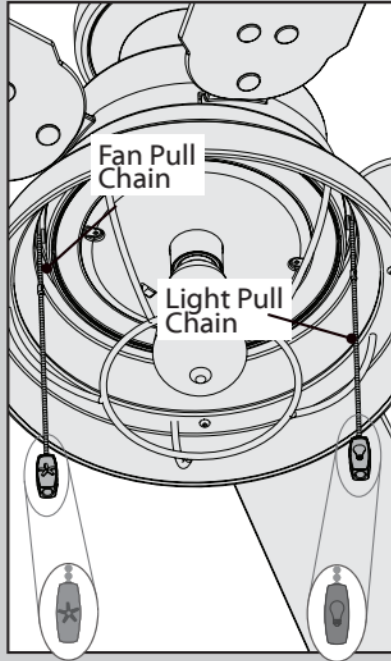
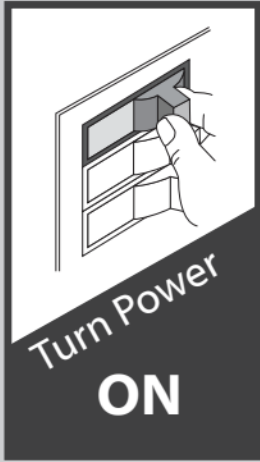
Make sure the light kit is securely attached to the upper switch housing. Failure to properly secure all three assembly screws could result in the light fixture falling.



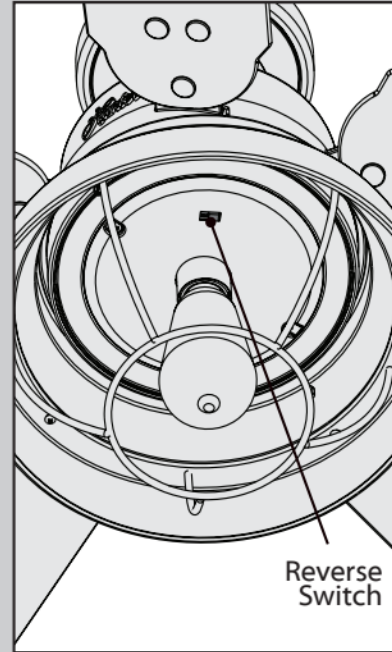
Connect the appropriate pull chain pendant to each of the short chains coming from the switch housing.



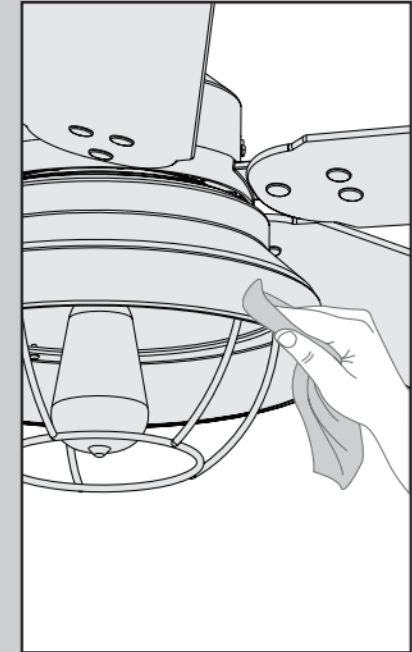
See next page for fan operation instructions. →



The fan pull chain controls the speed: from high to off.
The light pull chain controls the light fixture: on and off.



To switch the direction of air flow, move the reverse switch to the opposite position.



Cleaning the fan - Use soft brushes or cloths to prevent scratching. Cleaning products may damage the finishes.

Fan doesn't work

- Make sure power switch is on.
- Push the motor reversing switch firmly left or right to ensure that it is engaged.
- Check the circuit breaker to ensure the power is turned on.
- Make sure the blades spin freely.
- Turn off power from the circuit breaker, then loosen the canopy and check all the connections according to the wiring diagram on page 8-9.
- Check the plug connection in the switch housing.

Excessive wobbling

- Make sure the blades are securely attached to the blade irons according to the blade assembly instructions provided.
- Use the provided balancing kit and instructions to balance the fan.

Noisy operation

- Check to see if any of the blades are cracked. If so, replace all of the blades.

Lights dim when turned on or do not turn on at all.

- Make sure the wattage of the light bulbs installed matches the specifications on the light sockets.