

Experience powerful, focused cooling paired with bright, efficient LED lighting—all designed to keep you comfortable and productive in any environment. Whether you're tackling projects, creating your next masterpiece, or powering through a workout, this portable fan is built to elevate the way you use your garage, workshop, or studio every day.

Perfect for workshops, art studios, home gyms, and everyday garages.

# Garage Fan

## Owner's Manual

Model: 97319 Matte Black  
Fan weight  $\pm 2$  lbs: 14.8 lbs (6.7 kg)

### 3D INTERActive GUIDE

**Step 1:** Scan QR code with smart phone or tablet

**Step 2:** Follow on screen instructions

**Step 3:** Register your product



Our digital guided installation takes you seamlessly from unboxing to completion with clear instructions and visual aids. With the convenience of accessing the guide on your smartphone, tablet, or computer, you can take your installation experience wherever you go.

## WARNING

When using electrical appliances, basic precautions should always be followed to reduce the risk of fire, electric shock, and injury to persons, including the following:

- Read all instructions before using this fan.
- Improper installation may result in the risk of fire, electric shock or personal injury.
- To prevent the risk of fire and electric shock, DO NOT use the unit near windows. Rain or moisture may create an electrical hazard.
- The power plug must be removed from the power socket when not in use before cleaning, servicing, maintenance and before moving to another location.
- Use fan only for intended use, as described in this instruction manual.
- To protect against electric shock, DO NOT immerse unit, plug or cord in water or spray with liquids.
- Close supervision is necessary when appliance is used by or near children.
- NEVER insert fingers, pencils or any other objects through the grill when the fan is running.
- DO NOT operate any appliance with a damaged cord or plug, after the appliance malfunctions or has been dripped or damaged in any manner.
- To disconnect, grip plug and pull from wall outlet. NEVER yank on cord.
- ALWAYS use on a dry surface.
- This product is intended for household use only and not for commercial or industrial use.
- DO NOT operate fan in the presence of explosive and/or flammable fumes.
- DO NOT place fan or any parts near an open flame, cooking or any other heating appliances.
- DO NOT use near curtains, plants, window treatments etc.
- Do not run cord under carpeting. Do not cover cord with throw rugs, runners, or similar coverings. Do not route cord under furniture or appliances. Arrange cord away from traffic area and where it will not be tripped over.
- This product employs overload protection (fuse). A blown fuse indicates an overload or short-circuit situation. If the fuse blows, unplug the product from the outlet. Replace the fuse as per the user servicing instructions (follow product marking for proper fuse rating) and check the product. If the replacement fuse blows, a short-circuit may be present and the product should be discarded or returned to an authorized service facility for examination and/or repair.
- Do not operate any fan with a damaged cord or plug. Discard fan or return to an authorized service facility for examination and/or repair.
- This appliance can be used by children aged from 8 years and above and persons with reduced physical, sensory or mental capabilities or lack of experience and knowledge if they have been given supervision or instruction concerning use of the appliance in a safe way and understand the hazards involved. Children shall not play with the appliance. Cleaning and user maintenance shall not be made by children without supervision. It is recommended that children be supervised to ensure that they are not using the appliance improperly.
- To reduce the risk of fire or electric shock or injury to persons, do not use replacement parts that have not been recommended by the manufacturer (e.g. parts made at home using a 3D printer).

## CAUTION

c.1 - All wiring must be in accordance with national and local electrical codes ANSI/NFPA 70. If you are unfamiliar with wiring, use a qualified electrician.

c.2 - Use only Hunter replacement parts.

This equipment has been tested and found to comply with the limits for a Class B digital device, pursuant to part 15 of the FCC Rules. These limits are designed to provide reasonable protection against harmful interference in a residential installation. This equipment generates, uses and can radiate radio frequency energy and if not installed and used in accordance with the instructions may cause harmful interference to radio communications.

However, there is no guarantee that interference will not occur in a particular installation. If this equipment does cause harmful interference to radio or television reception, which can be determined by turning the equipment off and on, the user is encouraged to try to correct the interference by one or more of the following measures:

- Reorient or relocate the receiving antenna.
- Increase the separation between the equipment and receiver.
- Connect the equipment into an outlet on a circuit different from that to which the receiver is connected.
- Consult the dealer or an experienced radio/TV technician for help.

Caution: modifications not approved by the party responsible for compliance could void user's authority to operate the equipment.

This device complies with Part 15 of the FCC Rules. Operation is subject to the following two conditions: (1) This device may not cause harmful interference, and (2) this device must accept any interference received, including interference that may cause undesired operation.

## USER SERVICING INSTRUCTIONS

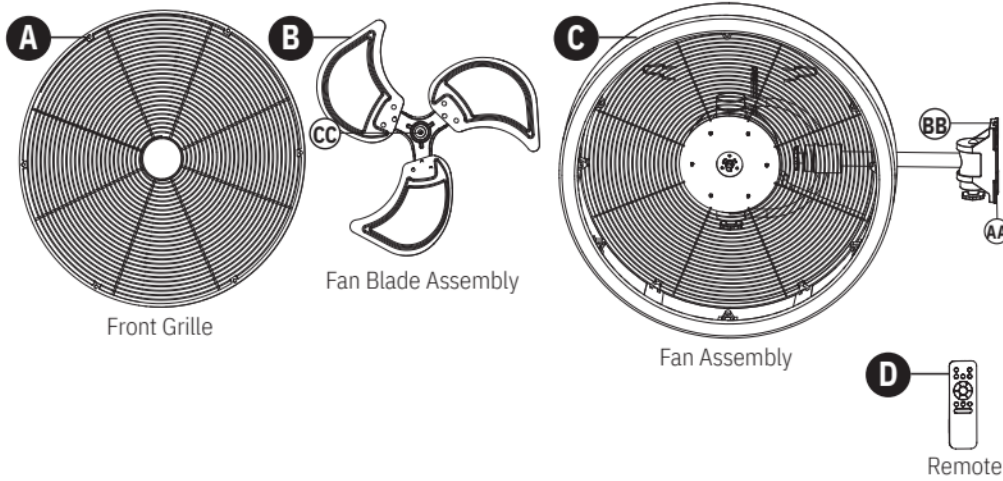
- Grasp plug and remove the receptacle or other outlet device. Do not unplug by pulling on cord.
- Open fuse cover. Slide open fuse access cover on top of attachment plug towards blades or Push on tabs located next to the blades.
- Turn fuse holder over to remove fuse. Remove fuse carefully.
- Risk of fire. Replace fuse only with 5 Amp, 125 Volt fuse.
- Close fuse cover. Slide closed the fuse access cover on top of attachment plug, or Push cover closed so that all tabs latch.
- Risk of fire. Do not replace attachment plug. Contains a safety device (fuse) that should not be removed. Discard product if the attachment plug is damaged.
- Product can only be used indoors or in a covered damp location.
- Please insert the power plug into the outlet when using it. Do Not use non-compliant extension cords for secondary connections if the power cord is not long enough.
- The recommended installation height is greater than 2.1 meters.
- Product is damp rated but is not intended for use in the bathroom, near the swimming pool, or in the kitchen.

## CLEANING AND MAINTENANCE

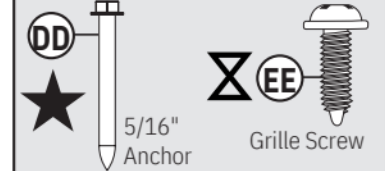
- Always unplug the fan before cleaning, disassembly or servicing.
- Use only a soft, damp cloth to gently wipe the outer surfaces of the fan clean.
- To clean between the grilles, we recommend using a pipe cleaner, flexible dustwand, vacuum cleaner or compressed air to gently remove the dust.
- DO NOT immerse the fan in water and never allow water to drip into the motor housing.
- DO NOT use gasoline, paint thinner or other chemicals to clean the fan.
- For storage, you may leave the fan assembled and covered to protect it from dust. Store the fan in a cool, dry place.

# Box Contents

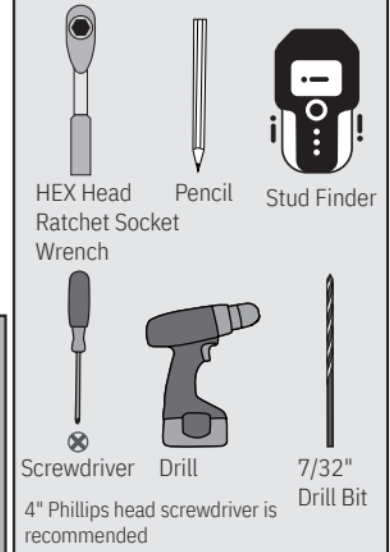
## Parts Included



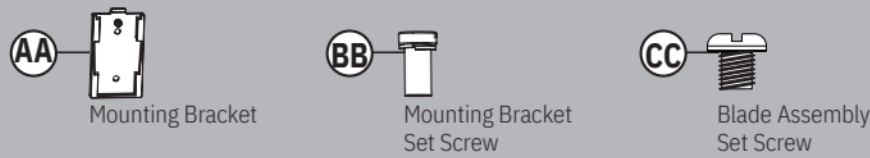
## Hardware Included



## Tools Needed for Installation



## Hardware & mounting bracket preinstalled for your convenience



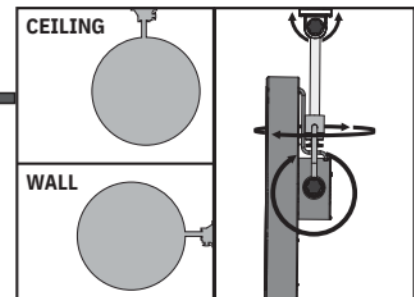
Parts not drawn to scale.

## Determine the Mounting Location

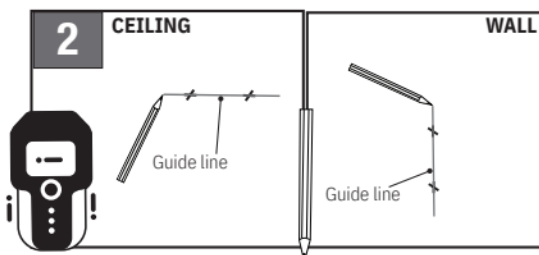
You can mount this fan on either the wall or the ceiling—now is the time to choose the option that best fits your space.

### 1 START HERE:

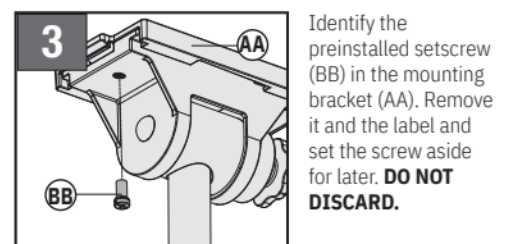
Choose a suitable installation location by ensuring the 10 ft power cord can reach an outlet safely, the mounting surface can support the fan, and the fan will have clear, unobstructed airflow once installed. Unpack the fan and all components to prepare for installation.



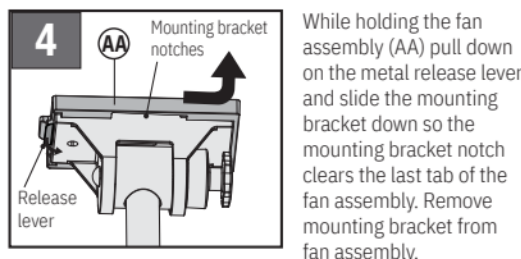
Your fan has three pivot points in which adjustments can be made.



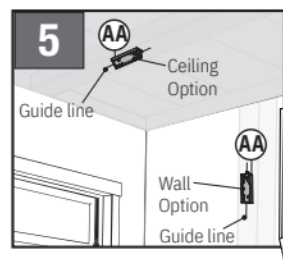
Use a stud finder to identify the building support structure. Use a pencil to mark the location of the center of the support structure at two points. Draw a line through these points along the center of the building support structure.



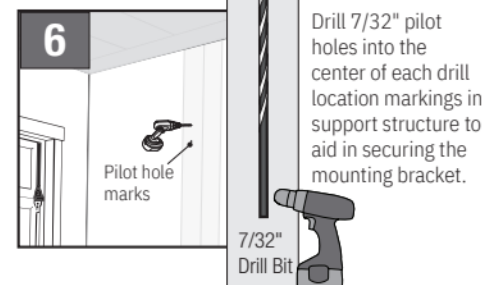
Identify the preinstalled setscrew (BB) in the mounting bracket (AA). Remove it and set the screw aside for later. **DO NOT DISCARD.**



While holding the fan assembly (AA) pull down on the metal release lever and slide the mounting bracket down so the mounting bracket notch clears the last tab of the fan assembly. Remove mounting bracket from fan assembly.

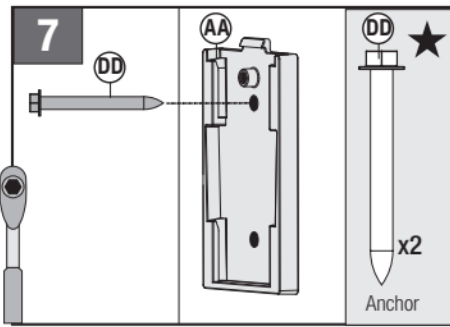


Place the mounting bracket (AA) over the guide line with equal distance on either side. Using the pencil mark each pilot hole location.

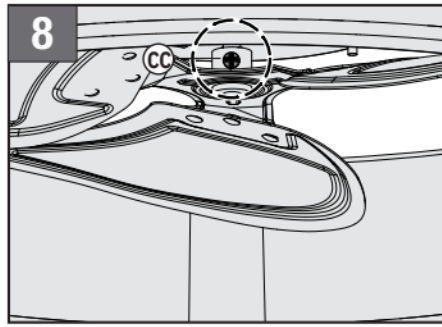


Drill 7/32" pilot holes into the center of each drill location markings in support structure to aid in securing the mounting bracket.

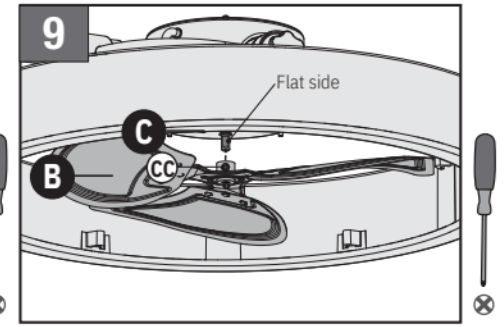
## Fan Assembly



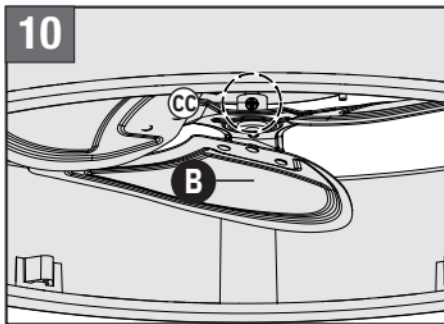
Orient the mounting bracket (AA) so that the fan's power cord can route directly to the desired outlet. Attach the mounting bracket with the 5/16" anchors (DD), found in the hardware bag ★.



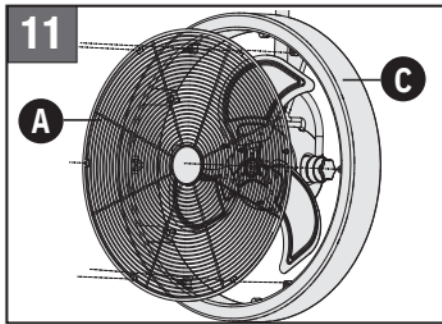
Back out the preinstalled blade assembly screw (CC) so that no threads are protruding.



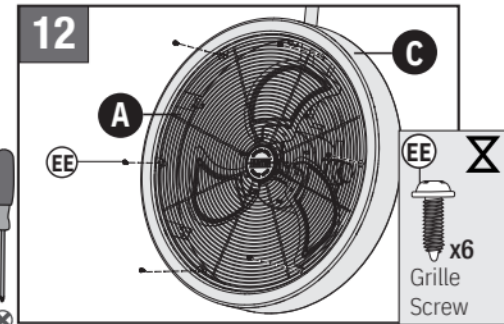
With the blade assembly screw (CC) closer to the fan head (C), slide the blade assembly (B) over the motor shaft of the fan head. Orient the blade assembly so that the blade assembly screw will make contact along the flat side of the shaft when engaged. You may need to wiggle the blade assembly while sliding to overcome the lip of the shaft.



Tighten the blade assembly screw (CC). Ensure the blade assembly (B) is secure.

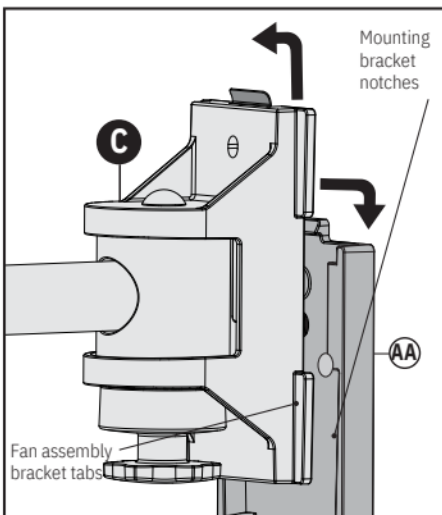


Place front grille (A) over top of fan head (C) while aligning the front grille screw holes with the fan head screw holes. Ensure the logo is in line with the adjustment knobs for proper orientation.

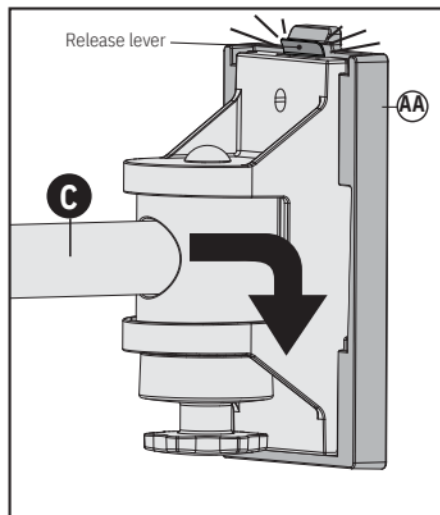


Using a screwdriver secure the front grille (A) to the fan head (C) using fan assembly screws (EE) found in the hardware bag ✕.

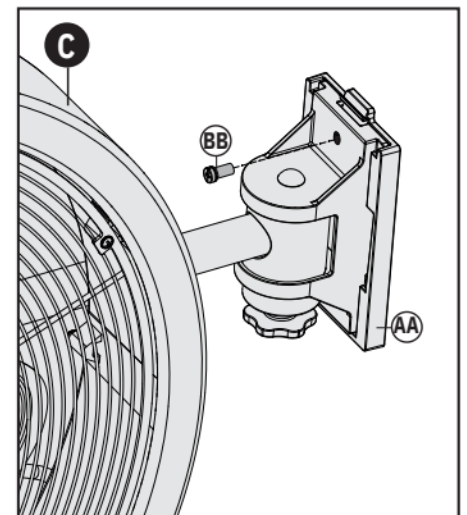
## Fan Mounting



Lift fan and align the fan's assembly bracket (C) with the installed mounting bracket (AA). The tabs of the assembly bracket (C) will fit into the notches of the mounting bracket (AA).

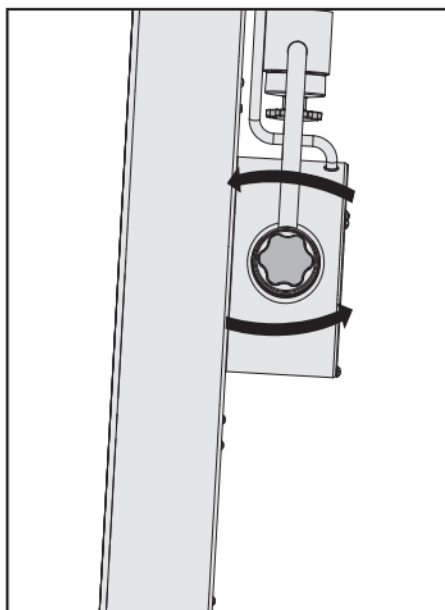


Insert the fan's assembly bracket (C) into the mounting bracket and slide towards the other end of the mounting bracket. There will be an audible click when secured.

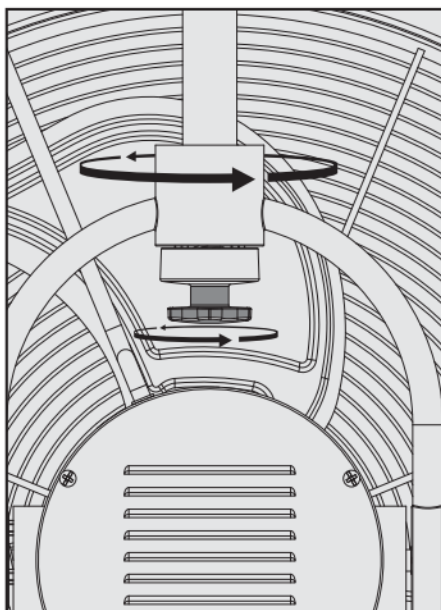


Take the mounting bracket setscrew (BB) that was set aside and reinsert now and tighten to secure the fan (C) to the bracket (AA).

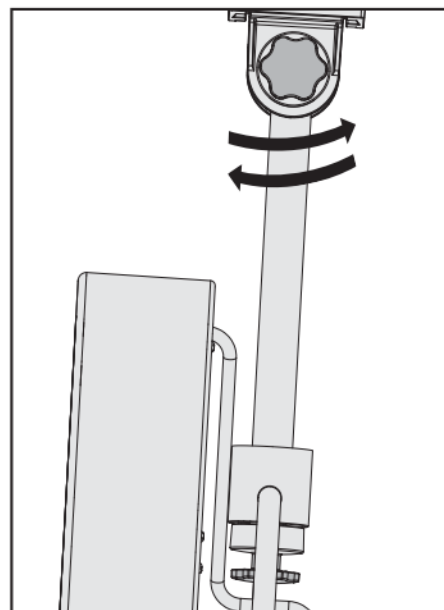
## Fan adjustment



Loosen knob at the side of the motor by twisting the knob counter clockwise. Rotate the fan head at this pivot point to the desired angle. Re-tighten knob by twisting the knob clockwise to secure position.

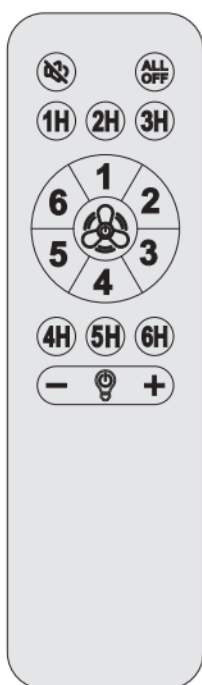


Loosen knob at the top of the extension rod by twisting the knob counter clockwise. Adjust the fan head rotation as needed. Re-tighten knob by twisting the knob clockwise to secure position.



Loosen knob just above the mounting bracket by twisting the knob counter clockwise. Adjust the fan assembly to the desired angle. Re-tighten knob by twisting the knob clockwise to secure position.

## Fan Remote Control Operation



### Remote Control Pairing

1. Turn the power OFF to the fan for at least 10 seconds.
2. Restore power and within 3 seconds, press the ALL OFF button on the remote.
3. When you hear two short beeps, pairing is complete.



### All Off

Press the ALL OFF button once to turn off all fan and light functions.



### Mute On / Off

Press the MUTE button to enable or disable sound feedback. A beep will confirm the setting.



### Timer (1H-6H)

Press 1H, 2H, 3H, 4H, 5H, or 6H to set the automatic shut-off timer. Press any non-timer button to cancel the timer.



### Fan On / Off

- Press the FAN ON/OFF button to turn the fan on or off.
- Press and hold the FAN ON/OFF button to reverse the fan's rotation direction.



### Fan Speeds

Press the appropriate number for the desired speed. Fan Speed 1 is the lowest speed, and Fan Speed 6 is the highest speed.



### Light Dimming

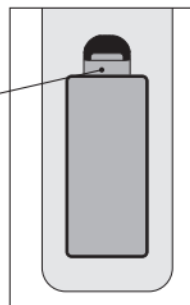
Press DIMMING DOWN to reduce light brightness.



### Light Brightening

Press BRIGHTEN UP to increase light brightness.

Battery compartment cover clip



Press and hold the clip on the battery compartment cover, then pull the cover off to remove it. Install two AAA 1.5V batteries, making sure the polarity (+/-) is correct.

## Cleaning and Maintenance/Fan Storage

- Always unplug fan for cleaning, disassembly or servicing.
- Use only a soft, damp cloth with a mild soap solution to wipe the surface of the fan.
- Use a pipe cleaner, flexible dust wand, vacuum cleaner or compressed air to clean between grilles.
- DO NOT immerse the fan in water. Never allow water to drip into motor housing.
- If trouble with remote, ensure the battery is installed with the correct polarity (+/-).

When storing fan, it is important to keep it in a safe dry location. It is important to protect the fan head from dust. Using the original box is strongly recommended.

## HUNTER LIMITED WARRANTY

Hunter Fan Company grants this limited warranty to the original purchaser of this Hunter product. This document can be found at [www.HunterFan.com](http://www.HunterFan.com).

Thank you for choosing Hunter!

### How Can Warranty Service Be Obtained?

**Proof of purchase is required** when requesting warranty service. The original purchaser must present a sales receipt or other document that establishes proof of purchase. Hunter, at its sole discretion, may accept a gift receipt. To obtain service, contact Hunter Fan Company online or by phone.

[www.HunterFan.com/Support/Contact-Us/](http://www.HunterFan.com/Support/Contact-Us/) 1.888.830.1326

Please do not ship your fan or any fan parts to Hunter. Delivery will be refused.

### What Does This Warranty Cover?

#### One-Year Limited Warranty

If any part of your Hunter product fails at any time within one year of the date of purchase due to a defect in material or workmanship, as determined solely by Hunter, Hunter will provide a replacement part or product free of charge. If no replacement product/part can be provided for your product, we will provide a comparable or superior replacement product/part at the sole discretion of Hunter.

### What Does This Warranty NOT Cover?

**Labor Excluded.** This warranty does not cover any costs or fees associated with the labor (including electrician's fees) required to install, remove, or replace a product or its parts.

Products purchased or installed outside the United States; products owned by someone other than the original purchaser; products for which proof of purchase has not been established; products purchased from an unauthorized dealer; ordinary wear and tear; minor cosmetic blemishes; refurbished products; and

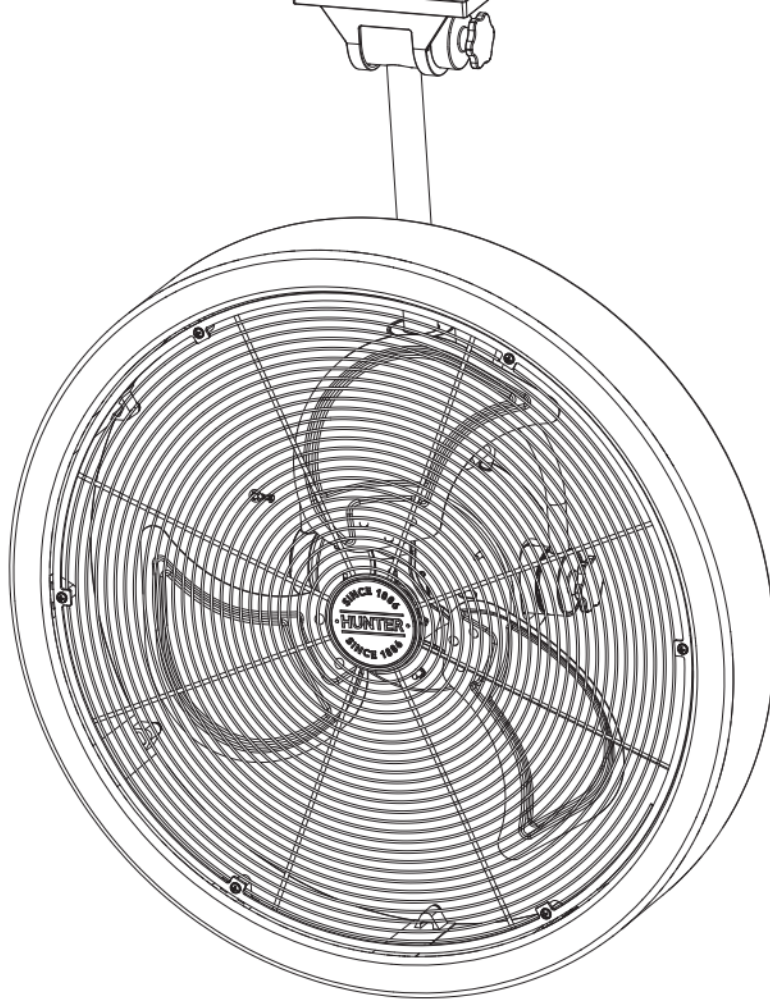
products that are damaged due to any of the following: improper installation, misuse, abuse, improper care, failure to follow Hunter instructions, accidental damage caused by the owner or related parties, modifications to the product, improper or incorrectly performed maintenance or repair, improper voltage supply or power surge, use of improper parts or accessories, failure to provide maintenance to the product, or acts of God (e.g. flood).

ORIGINAL PURCHASER'S SOLE AND EXCLUSIVE REMEDY FOR A CLAIM OF ANY KIND WITH RESPECT TO THIS PRODUCT SHALL BE THE REMEDIES SET FORTH HEREIN. HUNTER FAN COMPANY IS NOT RESPONSIBLE FOR CONSEQUENTIAL OR INCIDENTAL DAMAGES, DUE TO PRODUCT FAILURE, WHETHER ARISING OUT OF BREACH OF WARRANTY, BREACH OF CONTRACT, OR OTHERWISE. Some States do not allow the exclusion or limitation of incidental or consequential damages, so the above limitation or exclusion may not apply to you.

ANY IMPLIED WARRANTIES OF MERCHANTABILITY OR FITNESS FOR A PARTICULAR PURPOSE APPLICABLE TO THIS PRODUCT ARE LIMITED IN DURATION TO THE PERIOD OF COVERAGE OF THE APPLICABLE LIMITED WARRANTIES SET FORTH ABOVE. Some States do not allow limitations on how long an implied warranty lasts, so the above limitation may not apply to you.

### How Does State Law Affect Warranty Coverage?

This warranty gives you specific legal rights. You may also have other rights which vary from state to state.



Disfruta de un enfriamiento potente y dirigido, combinado con una iluminación LED brillante y eficiente, todo diseñado para mantenerte cómodo y productivo en cualquier entorno. Ya sea que estés realizando proyectos, creando tu próxima obra maestra o entrenando intensamente, este ventilador portátil está diseñado para mejorar la forma en que utilizas tu garaje, taller o estudio todos los días.

Perfecto para talleres, estudios de arte, gimnasios en casa y garajes de uso diario.

# Ventilador para garaje

## Manual del propietario

Modelo: 97319 Negro mate

Peso del ventilador  $\pm 2$  lb: 14.8 lb (6.7 kg)

Guía interactiva en 3D

**Paso 1:** Escanee el código QR con su teléfono celular o tableta

**Paso 2:** Siga las instrucciones que aparecen en pantalla

**Paso 3:** Registre su producto

*Hunter*



Nuestra guía digital de instalación lo lleva sin problemas desde el desembalaje hasta la finalización, mediante instrucciones claras y ayudas visuales. Con la comodidad de acceder a la guía en su teléfono inteligente, tableta o computadora, usted puede llevar su experiencia de instalación dondequiera que vaya.

## ⚠ ADVERTENCIA

Al utilizar aparatos eléctricos, siempre deben seguirse las precauciones básicas para reducir el riesgo de incendio, descarga eléctrica y lesiones a las personas, incluidas las siguientes:

- Lea todas las instrucciones antes de usar este ventilador.
- Una instalación incorrecta puede provocar riesgo de incendio, descarga eléctrica o lesiones personales.
- Para evitar el riesgo de incendio y descarga eléctrica, NO utilice la unidad cerca de ventanas. La lluvia o la humedad pueden crear un peligro eléctrico.
- El enchufe de alimentación debe desconectarse del tomacorriente cuando no esté en uso y antes de limpiar, dar servicio, realizar mantenimiento o mover la unidad a otro lugar.
- Use el ventilador únicamente para el uso previsto, como se describe en este manual de instrucciones.
- Para protegerse contra descargas eléctricas, NO sumerja la unidad, el enchufe ni el cable en agua ni los rocíe con líquidos.
- Es necesaria una supervisión cercana cuando el aparato es utilizado por niños o cerca de ellos.
- NUNCA introduzca los dedos, lápices u otros objetos a través de la rejilla cuando el ventilador esté en funcionamiento.
- NO opere ningún aparato con el cable o el enchufe dañados, después de que el aparato presente fallas o haya sido dejado caer o dañado de cualquier manera.
- Para desconectar, sujete el enchufe y retírelo del tomacorriente. NUNCA jale el cable.
- Utilice SIEMPRE el ventilador sobre una superficie seca.
- Este producto está diseñado únicamente para uso doméstico y no para uso comercial o industrial.
- NO opere el ventilador en presencia de vapores explosivos y/o inflamables.
- NO coloque el ventilador ni ninguna de sus partes cerca de una flama abierta, superficies de cocción u otros aparatos de calefacción.
- NO lo utilice cerca de cortinas, plantas, tratamientos para ventanas, etc.
- No pase el cable debajo de alfombras. No cubra el cable con tapetes, alfombrillas o cubiertas similares. No enrute el cable debajo de muebles o electrodomésticos. Coloque el cable lejos de áreas de tránsito donde no se pueda tropezar con él.
- Este producto cuenta con protección contra sobrecarga (fusible). Un fusible fundido indica una situación de sobrecarga o cortocircuito. Si el fusible se funde, desconecte el producto del tomacorriente. Reemplace el fusible de acuerdo con las instrucciones de servicio para el usuario (siga las indicaciones del producto para la clasificación correcta del fusible) y revise el producto. Si el fusible de reemplazo se vuelve a fundir, puede existir un cortocircuito y el producto debe desecharse o devolverse a un centro de servicio autorizado para su revisión y/o reparación.
- No opere ningún ventilador con el cable o el enchufe dañados. Deseche el ventilador o devuélvalo a un centro de servicio autorizado para su revisión y/o reparación.
- Este aparato puede ser utilizado por niños a partir de 8 años y por personas con capacidades físicas, sensoriales o mentales reducidas, o con falta de experiencia y conocimientos, siempre que hayan recibido supervisión o instrucciones sobre el uso seguro del aparato y comprendan los riesgos involucrados. Los niños no deben jugar con el aparato. La limpieza y el mantenimiento por parte del usuario no deben ser realizados por niños sin supervisión. Se recomienda supervisar a los niños para asegurar que no utilicen el aparato de manera incorrecta.
- Para reducir el riesgo de incendio, descarga eléctrica o lesiones a las personas, no utilice piezas de repuesto que no hayan sido recomendadas por el fabricante (por ejemplo, piezas fabricadas en casa mediante una impresora 3D).

## ⚠ ADVERTENCIA



Para reducir el riesgo de incendio o descarga eléctrica, no utilice este ventilador con ningún dispositivo de control de velocidad de estado sólido.

## PRECAUCIÓN

c.1 - Todo el cableado debe realizarse de acuerdo con los códigos eléctricos nacionales y locales ANSI/NFPA 70. Si no está familiarizado con el cableado, utilice un electricista calificado.

c.2 - Utilice únicamente piezas de repuesto Hunter.

Este equipo ha sido probado y se ha determinado que cumple con los límites para un dispositivo digital de Clase B, conforme a la parte 15 de las normas de la FCC. Estos límites están diseñados para proporcionar una protección razonable contra interferencias perjudiciales en una instalación residencial. Este equipo genera, utiliza y puede irradiar energía de radiofrecuencia y, si no se instala y utiliza de acuerdo con las instrucciones, puede causar interferencias perjudiciales a las comunicaciones por radio.

Sin embargo, no existe garantía de que no se produzcan interferencias en una instalación en particular. Si este equipo causa interferencias perjudiciales a la recepción de radio o televisión, lo cual puede determinarse apagando y encendiendo el equipo, se recomienda al usuario intentar corregir la interferencia mediante una o más de las siguientes medidas:

- Reorientar o reubicar la antena receptora.
- Aumentar la separación entre el equipo y el receptor.
- Conectar el equipo a un tomacorriente en un circuito diferente al que está conectado el receptor.
- Consultar al distribuidor o a un técnico experimentado en radio/TV para obtener ayuda.

Precaución: las modificaciones no aprobadas por la parte responsable del cumplimiento podrían anular la autoridad del usuario para operar el equipo.

Este dispositivo cumple con la parte 15 de las normas de la FCC. Su funcionamiento está sujeto a las siguientes dos condiciones: (1) este dispositivo no debe causar interferencias perjudiciales, y (2) este dispositivo debe aceptar cualquier interferencia recibida, incluida aquella que pueda causar un funcionamiento no deseado.

## INSTRUCCIONES DE SERVICIO PARA EL USUARIO

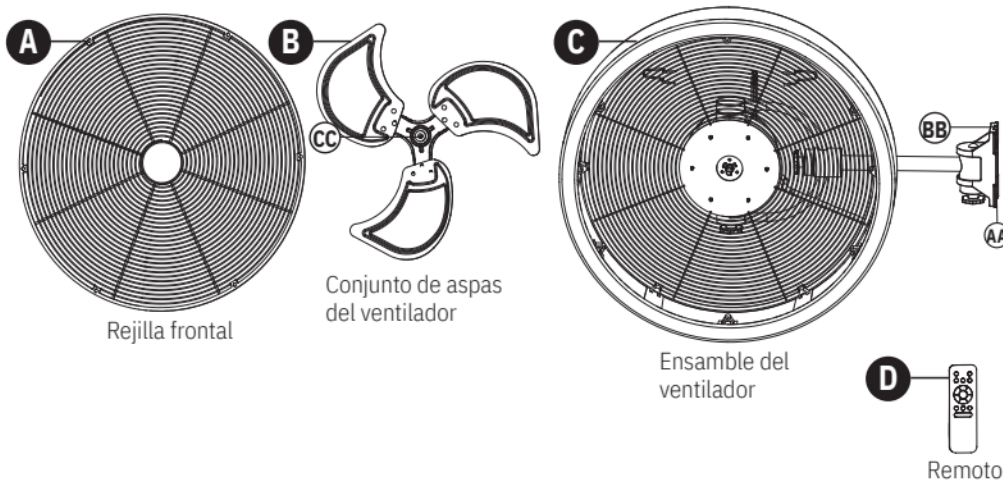
- Sujete el enchufe y retírelo del tomacorriente u otro dispositivo de salida. No desconecte jalando el cable.
- Abra la cubierta del fusible. Deslice la cubierta de acceso al fusible ubicada en la parte superior del enchufe hacia las clavijas o presione las pestañas ubicadas junto a las clavijas.
- Voltee el portafusible para retirar el fusible. Retire el fusible con cuidado.
- Riesgo de incendio. Reemplace el fusible únicamente por uno de 5 A, 125 V.
- Cierre la cubierta del fusible. Deslice la cubierta de acceso al fusible para cerrarla en la parte superior del enchufe o presiónela hasta que todas las pestañas queden aseguradas.
- Riesgo de incendio. No reemplace el enchufe. Contiene un dispositivo de seguridad (fusible) que no debe retirarse. Deseche el producto si el enchufe está dañado.
- El producto solo puede utilizarse en interiores o en un lugar húmedo cubierto.
- Inserte el enchufe de alimentación en el tomacorriente al usar el producto. No utilice extensiones que no cumplan con las normas para conexiones secundarias si el cable de alimentación no es lo suficientemente largo.
- La altura de instalación recomendada es superior a 2.1 metros.
- El producto es apto para lugares húmedos, pero no está diseñado para usarse en el baño, cerca de una alberca ni en la cocina.

## LIMPIEZA Y MANTENIMIENTO

- Desconecte siempre el ventilador antes de limpiarlo, desarmarlo o darle servicio.
- Utilice únicamente un paño suave y ligeramente húmedo para limpiar cuidadosamente las superficies exteriores del ventilador.
- Para limpiar entre las rejillas, se recomienda usar un limpiapipas, un plumero flexible, una aspiradora o aire comprimido para retirar el polvo con cuidado.
- NO sumerja el ventilador en agua ni permita que el agua gotee dentro de la carcasa del motor.
- NO utilice gasolina, thinner ni otros productos químicos para limpiar el ventilador.
- Para el almacenamiento, puede dejar el ventilador ensamblado y cubierto para protegerlo del polvo. Guárdelo en un lugar fresco y seco.

# Contenido de la caja

## Piezas incluidas



## Herrajes incluidos



## Herramientas necesarias para la instalación



## Herrajes y soporte de montaje preinstalados para su comodidad



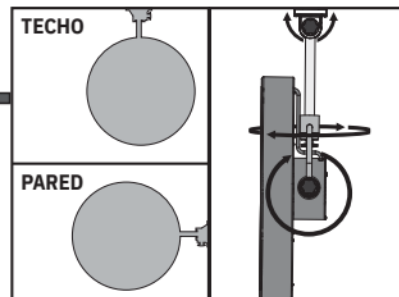
Las piezas no están dibujadas a escala.

## Determine la ubicación de montaje

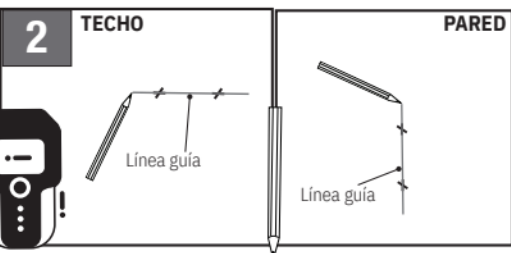
Puede montar este ventilador en la pared o en el techo; ahora es el momento de elegir la opción que mejor se adapte a su espacio.

### 1 Comience aquí:

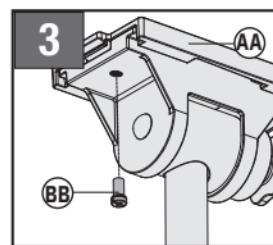
Elija una ubicación de instalación adecuada asegurándose de que el cable de alimentación de 10 pies pueda llegar de manera segura a un tomacorriente, que la superficie de montaje pueda soportar el ventilador y que, una vez instalado, el ventilador tenga un flujo de aire claro y sin obstrucciones. Desempaque el ventilador y todos los componentes para prepararse para la instalación.



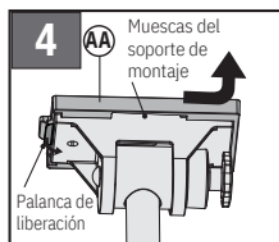
Su ventilador cuenta con tres puntos de pivote en los que se pueden realizar ajustes.



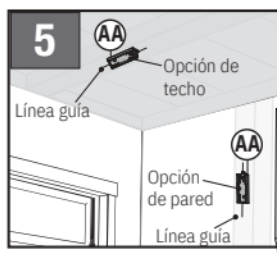
Utilice un detector de vigas para identificar la estructura de soporte del edificio. Con un lápiz, marque la ubicación del centro de la estructura de soporte en dos puntos. Trace una línea que pase por estos puntos a lo largo del centro de la estructura de soporte del edificio.



Identifique el tornillo de fijación preinstalado (BB) en el soporte de montaje (AA). Retírelo junto con la etiqueta y reserve el tornillo para usarlo más adelante. **NO LO DESECHE.**



Mientras sostiene el conjunto del ventilador (AA), tire hacia abajo de la palanca metálica de liberación y deslice el soporte de montaje hacia abajo hasta que la muesca del soporte de montaje pase la última pestaña del conjunto del ventilador. Retire el soporte de montaje del conjunto del ventilador.

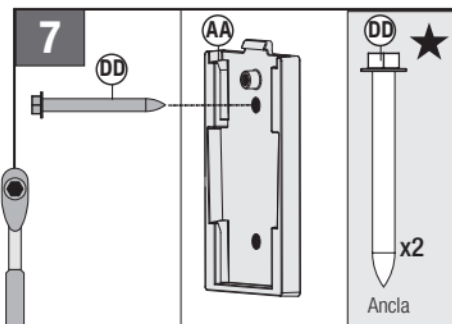


Coloque el soporte de montaje (AA) sobre la línea guía, dejando la misma distancia a cada lado. Con el lápiz, marque la ubicación de cada orificio guía.

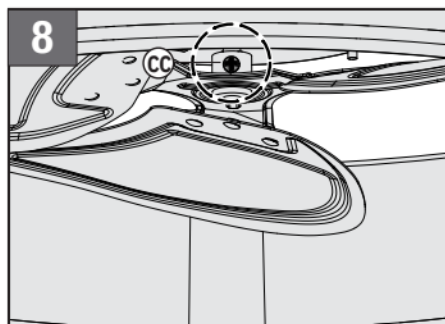


Taladre orificios guía de 7/32" en el centro de cada marca de perforación en la estructura de soporte para facilitar la fijación del soporte de montaje. **Broca de 7/32" (5.6 mm)**

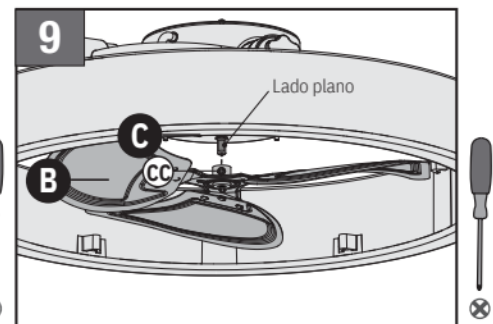
## Ensamble del ventilador



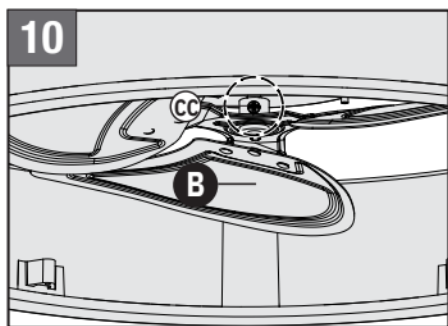
Oriente el soporte de montaje (AA) de manera que el cable de alimentación del ventilador pueda dirigirse directamente al tomacorriente deseado. Fije el soporte de montaje con las anclas de 5/16" (DD) que se incluyen en la bolsa de herramientas ★



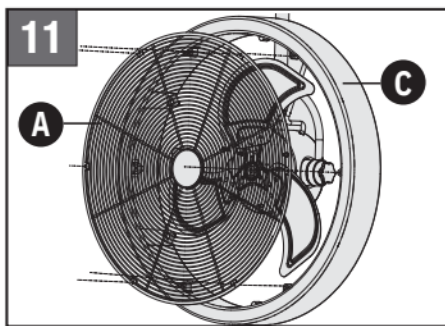
Afloje el tornillo del conjunto de aspas preinstalado (CC) hasta que no sobresalga ninguna rosca.



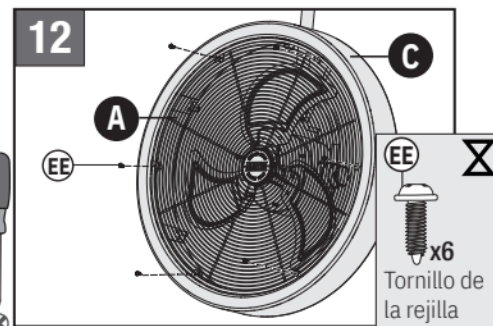
Con el tornillo del conjunto de aspas (CC) más cerca de la cabeza del ventilador (C), deslice el conjunto de aspas (B) sobre el eje del motor de la cabeza del ventilador. Oriente el conjunto de aspas de manera que el tornillo del conjunto de aspas haga contacto con el lado plano del eje al apretarse. Es posible que deba mover ligeramente el conjunto de aspas mientras lo desliza para superar el reborde del eje.



Apriete el tornillo del conjunto de aspas (CC). Asegúrese de que el conjunto de aspas (B) quede bien asegurado.

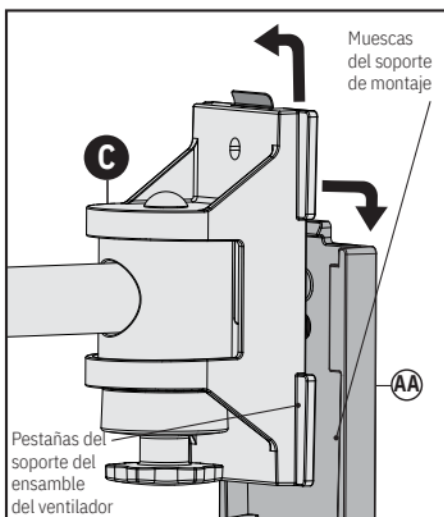


Coloque la rejilla frontal (A) sobre la parte superior de la cabeza del ventilador (C), alineando los orificios de los tornillos de la rejilla frontal con los orificios de los tornillos de la cabeza del ventilador. Asegúrese de que el logotipo esté alineado con las perillas de ajuste para una orientación correcta.

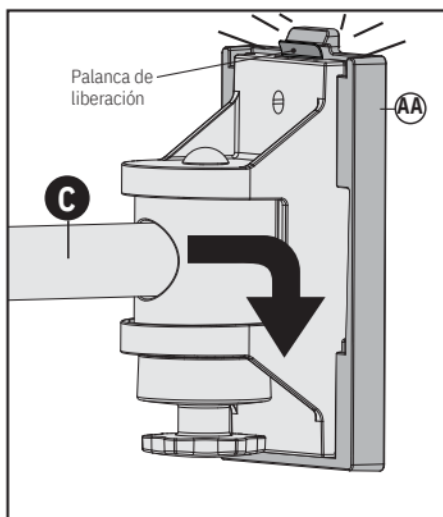


Con un destornillador, asegure la rejilla frontal (A) a la cabeza del ventilador (C) utilizando los tornillos del ensamble del ventilador (EE) incluidos en la bolsa de herramientas X

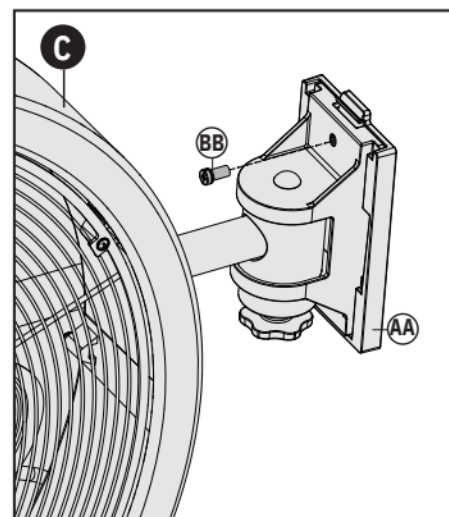
## Montaje del ventilador



Levante el ventilador y alinee el soporte del ensamble del ventilador (C) con el soporte de montaje instalado (AA). Las pestañas del soporte del ensamble (C) encajarán en las muescas del soporte de montaje (AA).

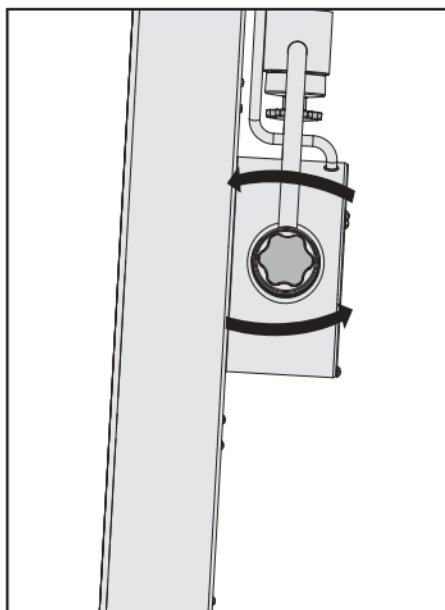


Inserte el soporte del conjunto del ventilador (C) en el soporte de montaje y deslícelo hacia el otro extremo del soporte de montaje. Se escuchará un clic audible cuando quede asegurado.

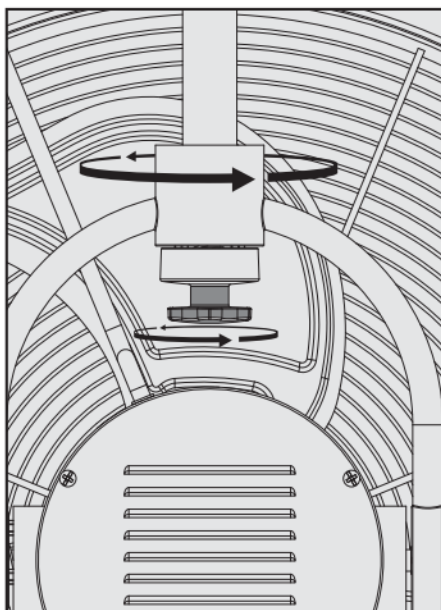


Tome el tornillo de fijación del soporte de montaje (BB) que se reservó previamente, vuelva a colocarlo y apriételo para asegurar el ventilador (C) al soporte (AA).

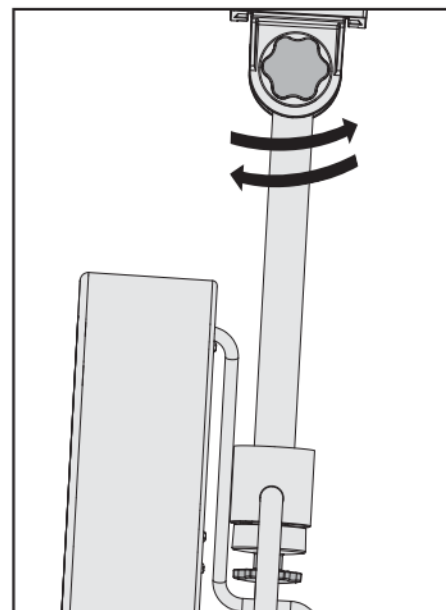
## Ajuste del ventilador



Afloje la perilla ubicada en el costado del motor girándola en sentido contrario a las manecillas del reloj. Gire la cabeza del ventilador en este punto de pivote hasta el ángulo deseado. Vuelva a apretar la perilla girándola en sentido de las manecillas del reloj para asegurar la posición.

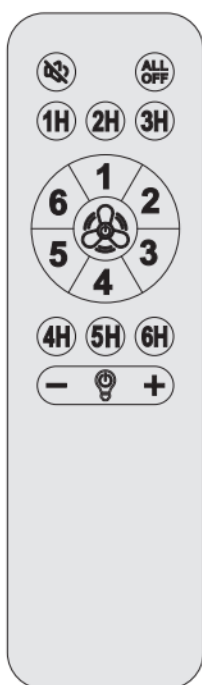


Afloje la perilla ubicada en la parte superior de la varilla de extensión girándola en sentido contrario a las manecillas del reloj. Ajuste la rotación de la cabeza del ventilador según sea necesario. Vuelva a apretar la perilla girándola en sentido de las manecillas del reloj para asegurar la posición.



Afloje la perilla ubicada justo encima del soporte de montaje girándola en sentido contrario a las manecillas del reloj. Ajuste el ensamble del ventilador al ángulo deseado. Vuelva a apretar la perilla girándola en sentido de las manecillas del reloj para asegurar la posición.

## Funcionamiento del control remoto del ventilador



### Emparejamiento del control remoto

1. Apague la alimentación del ventilador durante al menos 10 segundos.
2. Restablezca la alimentación y, dentro de los 3 segundos, presione el botón TODO APAGADO del control remoto.
3. Cuando escuche dos pitidos cortos, el emparejamiento estará completo.



### Todo apagado

Presione una vez el botón TODO APAGADO para apagar todas las funciones del ventilador y de la luz.



### Silencio activado / desactivado

Presione el botón SILENCIO para activar o desactivar la retroalimentación sonora. Un pitido confirmará la configuración.



### Temporizador (1H-6H)

Presione 1H, 2H, 3H, 4H, 5H o 6H para configurar el temporizador de apagado automático. Presione cualquier botón que no sea del temporizador para cancelar el temporizador.



### Encendido / apagado del ventilador

- Presione el botón ENCENDIDO / APAGADO DEL VENTILADOR para encender o apagar el ventilador.
- Mantenga presionado el botón ENCENDIDO / APAGADO DEL VENTILADOR para invertir la dirección de giro del ventilador.



### Velocidades del ventilador

Presione el número correspondiente a la velocidad deseada. La velocidad 1 del ventilador es la más baja y la velocidad 6 es la más alta.



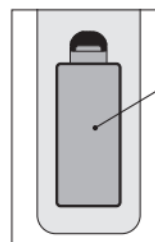
### Atenuación de la luz

Presione ATENUAR para reducir el brillo de la luz.



### Aumento del brillo de la luz

Presione AUMENTAR BRILLO para aumentar el brillo de la luz.



Clip de la tapa del compartimento de la batería

Mantenga presionado el clip de la tapa del compartimento de la batería y luego jale la tapa para retirarla. Instale dos baterías AAA de 1.5 V, asegurándose de que la polaridad (+/-) sea correcta.

## Limpeza y mantenimiento / Almacenamiento del ventilador

- Desconecte siempre el ventilador antes de limpiarlo, desarmarlo o darle servicio.
- Utilice únicamente un paño suave y húmedo con una solución de jabón suave para limpiar la superficie del ventilador.
- Use un limpiapipas, un plumero flexible, una aspiradora o aire comprimido para limpiar entre las rejillas.
- NO sumerja el ventilador en agua. Nunca permita que el agua gotee dentro de la carcasa del motor.
- Si hay problemas con el control remoto, asegúrese de que la batería esté instalada con la polaridad correcta (+/-).

Al guardar el ventilador, es importante mantenerlo en un lugar seguro y seco. Es importante proteger la cabeza del ventilador del polvo. Se recomienda encarecidamente utilizar la caja original.

## GARANTÍA LIMITADA DE HUNTER

Hunter Fan Company otorga esta garantía limitada al comprador original de este producto Hunter. Este documento puede consultarse en [www.HunterFan.com](http://www.HunterFan.com).

¡Gracias por elegir Hunter!

### ¿Cómo se puede obtener el servicio de garantía?

**Se requiere comprobante de compra al solicitar** el servicio de garantía. El comprador original debe presentar un recibo de venta u otro documento que establezca el comprobante de compra. Hunter, a su entera discreción, puede aceptar un recibo de regalo. Para obtener servicio, comuníquese con Hunter Fan Company en línea o por teléfono.

[www.HunterFan.com/Support/Contact-Us/](http://www.HunterFan.com/Support/Contact-Us/) 1.888.830.1326

Por favor, no envíe su ventilador ni ninguna de sus piezas a Hunter. El envío será rechazado.

### ¿Qué cubre esta garantía?

#### Garantía limitada de un año

Si alguna parte de su producto Hunter falla en cualquier momento dentro de un (1) año a partir de la fecha de compra debido a un defecto en materiales o mano de obra, según lo determine únicamente Hunter, Hunter proporcionará una pieza o producto de reemplazo sin costo alguno. Si no se puede proporcionar un producto o pieza de reemplazo para su producto, Hunter ofrecerá un producto o pieza de reemplazo comparable o superior, a su entera discreción.

### ¿Qué NO cubre esta garantía?

**Mano de obra excluida.** Esta garantía no cubre ningún costo o cargo asociado con la mano de obra (incluidos los honorarios de electricistas) requerida para instalar, retirar o reemplazar un producto o cualquiera de sus piezas.

Productos comprados o instalados fuera de los Estados Unidos; productos que sean propiedad de alguien distinto al comprador original; productos para los cuales no se haya establecido un comprobante de compra; productos

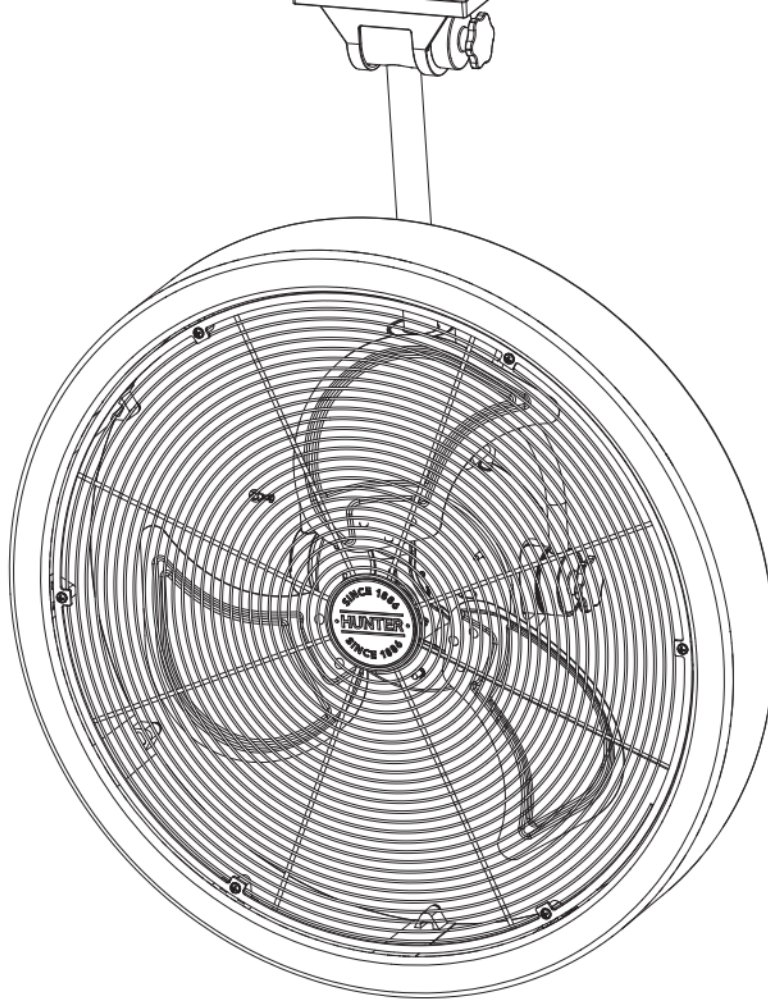
comprados a un distribuidor no autorizado; desgaste normal; defectos cosméticos menores; productos reacondicionados; y productos que se dañen debido a cualquiera de las siguientes causas: instalación incorrecta, uso indebido, abuso, cuidado inadecuado, incumplimiento de las instrucciones de Hunter, daños accidentales causados por el propietario o partes relacionadas, modificaciones al producto, mantenimiento o reparación inadecuados o realizados incorrectamente, suministro de voltaje incorrecto o sobrecargas eléctricas, uso de piezas o accesorios inadecuados, falta de mantenimiento del producto o casos fortuitos (por ejemplo, inundaciones).

EL ÚNICO Y EXCLUSIVO RECURSO DEL COMPRADOR ORIGINAL PARA CUALQUIER RECLAMACIÓN RELACIONADA CON ESTE PRODUCTO SERÁ EL ESTABLECIDO EN EL PRESENTE DOCUMENTO. HUNTER FAN COMPANY NO SE HACE RESPONSABLE DE DAÑOS CONSECUENCIALES O INCIDENTALES DERIVADOS DE LA FALLA DEL PRODUCTO, YA SEA QUE SURJAN POR INCUMPLIMIENTO DE GARANTÍA, INCUMPLIMIENTO DE CONTRATO O DE OTRO TIPO. Algunos estados no permiten la exclusión o limitación de daños incidentales o consecuenciales, por lo que la limitación o exclusión anterior puede no aplicarse en su caso.

CUALQUIER GARANTÍA IMPLÍCITA DE COMERCIABILIDAD O IDONEIDAD PARA UN PROPÓSITO PARTICULAR APLICABLE A ESTE PRODUCTO SE LIMITA EN SU DURACIÓN AL PERÍODO DE COBERTURA DE LAS GARANTÍAS LIMITADAS APLICABLES ESTABLECIDAS ANTERIORMENTE. Algunos estados no permiten limitaciones sobre la duración de una garantía implícita, por lo que la limitación anterior puede no aplicarse en su caso.

### ¿Cómo afecta la ley estatal la cobertura de la garantía?

Esta garantía le otorga derechos legales específicos. Usted también puede tener otros derechos que varían de un estado a otro.



Profitez d'un refroidissement puissant et ciblé, combiné à un éclairage DEL lumineux et écoénergétique — le tout conçu pour vous garder confortable et productif dans tous les environnements. Que vous réalisiez des projets, créez votre prochaine œuvre ou relevez un défi d'entraînement, ce ventilateur portable est conçu pour améliorer votre façon d'utiliser votre garage, votre atelier ou votre studio au quotidien.

Idéal pour les ateliers, les studios d'art, les gyms à domicile et les garages de tous les jours.

# Ventilateur de garage

## Manuel du propriétaire

Modèle: 97319 Noir mat  
Poids du ventilateur  $\pm 2$  lb : 14,8 lb (6,7 kg)

### Guide interactif 3D

**Étape 1 :** Balayez le code QR avec un téléphone intelligent ou une tablette

**Étape 2 :** Suivez les instructions à l'écran

**Étape 3 :** Enregistrez votre produit



Notre guide d'installation numérique vous accompagne en toute simplicité, du déballage à la fin de l'installation, grâce à des instructions claires et des aides visuelles. Grâce à la commodité d'un accès sur votre téléphone intelligent, votre tablette ou votre ordinateur, vous pouvez suivre votre installation où que vous soyez.

*Hunter*

## ⚠ AVERTISSEMENT

Lors de l'utilisation d'appareils électriques, des précautions de base doivent toujours être respectées afin de réduire les risques d'incendie, de choc électrique et de blessures, notamment les suivantes :

- Lisez toutes les instructions avant d'utiliser ce ventilateur.
- Une installation inadéquate peut entraîner un risque d'incendie, de choc électrique ou de blessures.
- Pour éviter les risques d'incendie et de choc électrique, NE PAS utiliser l'appareil près des fenêtres. La pluie ou l'humidité peuvent créer un danger électrique.
- La fiche d'alimentation doit être débranchée de la prise de courant lorsqu'elle n'est pas utilisée, avant le nettoyage, l'entretien, la maintenance et avant de déplacer l'appareil vers un autre endroit.
- Utilisez le ventilateur uniquement pour l'usage prévu, tel que décrit dans ce manuel d'instructions.
- Pour vous protéger contre les chocs électriques, NE PAS immerger l'appareil, la fiche ou le cordon dans l'eau ni les vaporiser de liquides.
- Une surveillance étroite est nécessaire lorsque l'appareil est utilisé par des enfants ou à proximité de ceux-ci.
- NE JAMAIS insérer les doigts, des crayons ou tout autre objet à travers la grille lorsque le ventilateur est en marche.
- NE PAS faire fonctionner un appareil dont le cordon ou la fiche est endommagé, après un mauvais fonctionnement, ou s'il a été échappé ou endommagé de quelque manière que ce soit.
- Pour débrancher, saisissez la fiche et tirez-la de la prise murale. NE JAMAIS tirer sur le cordon.
- Utilisez TOUJOURS l'appareil sur une surface sèche.
- Ce produit est destiné uniquement à un usage domestique et non à un usage commercial ou industriel.
- NE PAS utiliser le ventilateur en présence de vapeurs explosives et/ou inflammables.
- NE PAS placer le ventilateur ou ses pièces près d'une flamme nue, d'une surface de cuisson ou de tout autre appareil de chauffage.

## ATTENTION

c.1 - Tout le câblage doit être conforme aux codes électriques nationaux et locaux ANSI/NFPA 70. Si vous n'êtes pas familier avec le câblage, faites appel à un électricien qualifié.

c.2 - Utilisez uniquement des pièces de rechange Hunter.

Cet équipement a été testé et jugé conforme aux limites applicables aux appareils numériques de classe B, conformément à la partie 15 des règles de la FCC. Ces limites sont conçues pour offrir une protection raisonnable contre les interférences nuisibles dans une installation résidentielle. Cet équipement génère, utilise et peut émettre de l'énergie radiofréquence et, s'il n'est pas installé et utilisé conformément aux instructions, peut provoquer des interférences nuisibles aux communications radio.

Cependant, il n'existe aucune garantie que des interférences ne se produiront pas dans une installation particulière. Si cet équipement provoque des interférences nuisibles à la réception radio ou télévisuelle, ce qui peut être déterminé en mettant l'équipement hors tension puis sous tension, l'utilisateur est encouragé à tenter de corriger l'interférence en appliquant une ou plusieurs des mesures suivantes :

- Réorienter ou déplacer l'antenne de réception.
- Augmenter la distance entre l'équipement et le récepteur.
- Brancher l'équipement sur une prise reliée à un circuit différent de celui auquel le récepteur est connecté.
- Consulter le détaillant ou un technicien radio/télévision expérimenté pour obtenir de l'aide.

Attention : les modifications non approuvées par la partie responsable de la conformité pourraient annuler l'autorisation de l'utilisateur à faire fonctionner l'équipement.

Cet appareil est conforme à la partie 15 des règles de la FCC. Son fonctionnement est soumis aux deux conditions suivantes : (1) cet appareil ne doit pas causer d'interférences nuisibles, et (2) cet appareil doit accepter toute interférence reçue, y compris les interférences pouvant entraîner un fonctionnement indésirable.

## ⚠ AVERTISSEMENT



Afin de réduire les risques d'incendie ou de choc électrique, n'utilisez pas ce ventilateur avec un dispositif de contrôle de vitesse à semi-conducteurs.

- NE PAS utiliser à proximité de rideaux, de plantes, de traitements de fenêtres, etc.
- Ne faites pas passer le cordon sous les tapis. Ne couvrez pas le cordon avec des carpettes, des tapis de passage ou des revêtements similaires. Ne faites pas passer le cordon sous des meubles ou des appareils. Disposez le cordon à l'écart des zones de passage afin d'éviter les risques de trébuchement.
- Ce produit est muni d'une protection contre les surcharges (fusible). Un fusible grillé indique une surcharge ou un court-circuit. Si le fusible saute, débranchez le produit de la prise. Remplacez le fusible conformément aux instructions d'entretien destinées à l'utilisateur (suivez les indications sur le produit pour le calibre approprié du fusible) et vérifiez le produit. Si le fusible de remplacement saute de nouveau, un court-circuit peut être présent et le produit doit être jeté ou retourné à un centre de service autorisé pour inspection et/ou réparation.
- Ne faites pas fonctionner un ventilateur dont le cordon ou la fiche est endommagé. Jetez le ventilateur ou retournez-le à un centre de service autorisé pour inspection et/ou réparation.
- Cet appareil peut être utilisé par des enfants âgés de 8 ans et plus, ainsi que par des personnes ayant des capacités physiques, sensorielles ou mentales réduites, ou un manque d'expérience et de connaissances, s'ils ont reçu une supervision ou des instructions concernant l'utilisation sécuritaire de l'appareil et comprennent les risques encourus. Les enfants ne doivent pas jouer avec l'appareil. Le nettoyage et l'entretien par l'utilisateur ne doivent pas être effectués par des enfants sans supervision. Il est recommandé de superviser les enfants afin de s'assurer qu'ils n'utilisent pas l'appareil de manière inappropriée.
- Afin de réduire les risques d'incendie, de choc électrique ou de blessures, n'utilisez pas de pièces de rechange qui n'ont pas été recommandées par le fabricant (par exemple, des pièces fabriquées à domicile à l'aide d'une imprimante 3D).

## INSTRUCTIONS D'ENTRETIEN DESTINÉES À L'UTILISATEUR

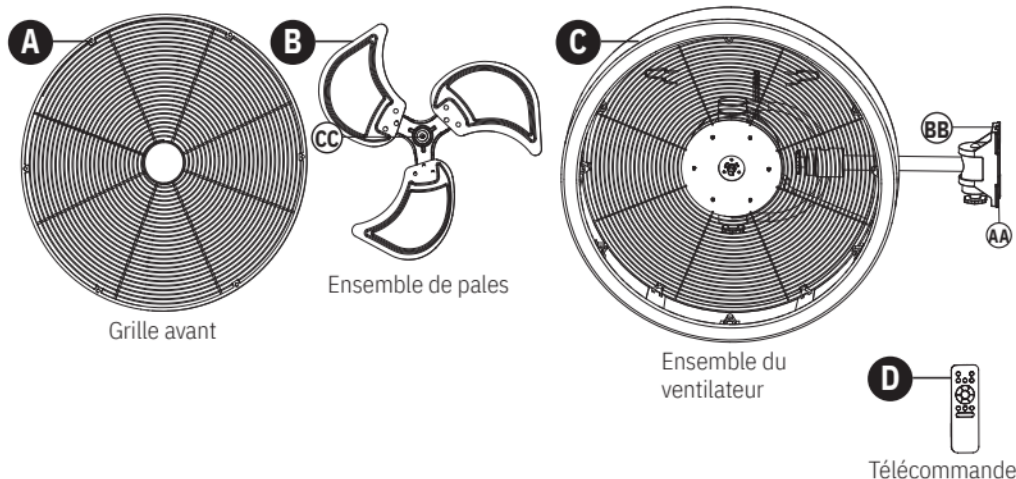
- Saisissez la fiche et retirez-la de la prise ou de tout autre dispositif de sortie. Ne débranchez pas en tirant sur le cordon.
- Ouvrez le couvercle du fusible. Faites glisser le couvercle d'accès au fusible situé sur le dessus de la fiche vers les broches ou appuyez sur les languettes situées près des broches.
- Retournez le porte-fusible pour retirer le fusible. Retirez le fusible avec précaution.
- Risque d'incendie. Remplacez le fusible uniquement par un fusible de 5 A, 125 V.
- Fermez le couvercle du fusible. Faites glisser le couvercle d'accès au fusible pour le refermer sur le dessus de la fiche ou appuyez sur le couvercle jusqu'à ce que toutes les languettes s'enclenchent.
- Risque d'incendie. Ne remplacez pas la fiche. Elle contient un dispositif de sécurité (fusible) qui ne doit pas être retiré. Jetez le produit si la fiche est endommagée.
- Le produit peut uniquement être utilisé à l'intérieur ou dans un endroit humide couvert.
- Veuillez insérer la fiche d'alimentation dans la prise lors de l'utilisation. N'utilisez pas de rallonges non conformes pour des connexions secondaires si le cordon d'alimentation n'est pas assez long.
- La hauteur d'installation recommandée est supérieure à 2,1 mètres.
- Le produit est homologué pour les endroits humides, mais n'est pas destiné à être utilisé dans la salle de bain, près d'une piscine ou dans la cuisine.

## NETTOYAGE ET ENTRETIEN

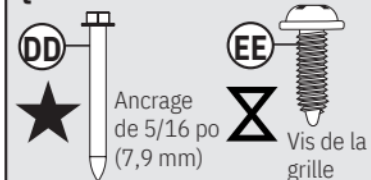
- Débranchez toujours le ventilateur avant le nettoyage, le démontage ou l'entretien.
- Utilisez uniquement un chiffon doux et humide pour nettoyer délicatement les surfaces extérieures du ventilateur.
- Pour nettoyer entre les grilles, nous recommandons d'utiliser un nettoie-pipe, un plumeau flexible, un aspirateur ou de l'air comprimé afin d'enlever délicatement la poussière.
- NE PAS immerger le ventilateur dans l'eau et ne jamais laisser l'eau s'écouler dans le boîtier du moteur.
- NE PAS utiliser d'essence, de diluant à peinture ou d'autres produits chimiques pour nettoyer le ventilateur.
- Pour l'entreposage, vous pouvez laisser le ventilateur assemblé et le couvrir afin de le protéger de la poussière. Entrez le ventilateur dans un endroit frais et sec.

# Contenu de la boîte

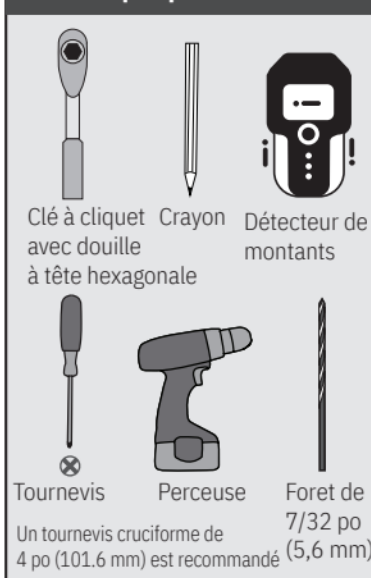
## Pièces incluses



## Quincaillerie incluse



## Outils requis pour l'installation



## Quincaillerie et support de montage préinstallés pour votre commodité



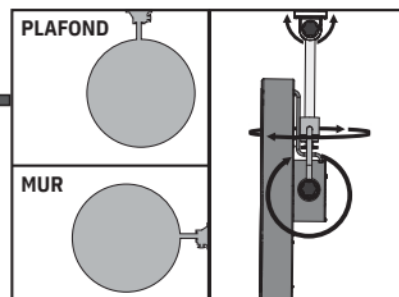
Les pièces ne sont pas à l'échelle

## Déterminez l'emplacement de montage

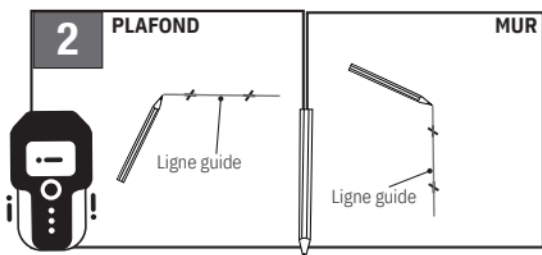
Vous pouvez installer ce ventilateur au mur ou au plafond — c'est le moment de choisir l'option qui convient le mieux à votre espace.

### 1 Commencez ici :

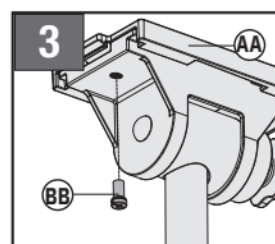
Choisissez un emplacement d'installation approprié en vous assurant que le cordon d'alimentation de 10 pi peut atteindre une prise en toute sécurité, que la surface de montage peut supporter le ventilateur et que le ventilateur disposera d'une circulation d'air dégagée et sans obstruction une fois installé. Déballez le ventilateur et tous les composants afin de préparer l'installation.



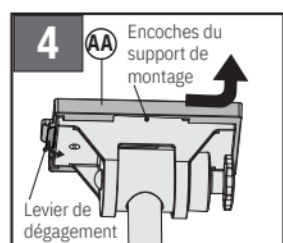
Votre ventilateur comporte trois points de pivot permettant d'effectuer des réglages.



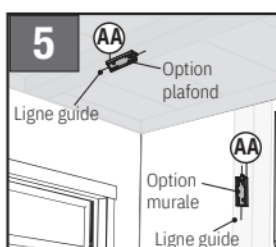
Utilisez un détecteur de montants pour repérer la structure de support du bâtiment. À l'aide d'un crayon, marquez l'emplacement du centre de la structure de support à deux points espacés de 4 3/4 po. Tracez une ligne passant par ces points le long du centre de la structure de support du bâtiment.



Identifiez la vis de fixation préinstallée (BB) dans le support de montage (AA). Retirez-la ainsi que l'étiquette, puis mettez la vis de côté pour une utilisation ultérieure. **NE PAS JETER.**



Tout en soutenant l'ensemble du ventilateur (AA), tirez vers le bas le levier de dégagement métallique et faites glisser le support de montage vers le bas jusqu'à ce que l'encoche du support de montage dépasse la dernière languette de l'ensemble du ventilateur. Retirez le support de montage de l'ensemble du ventilateur.

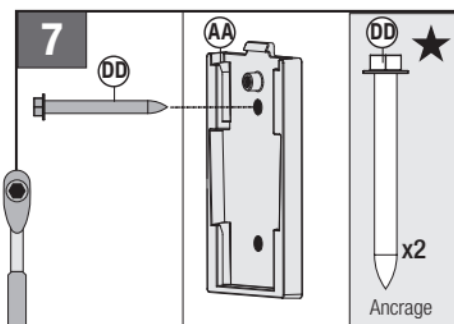


Placez le support de montage (AA) sur la ligne guide en laissant une distance égale de chaque côté. À l'aide d'un crayon, marquez l'emplacement de chaque trou de guidage.

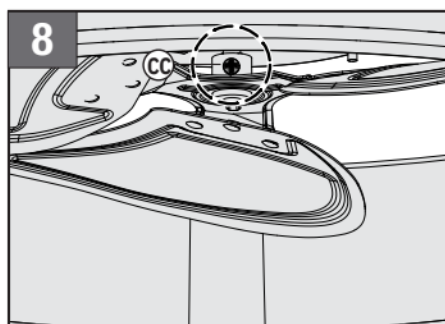


Percez des trous de guidage de 7/32 po au centre de chaque marque de perçage dans la structure de support afin de faciliter la fixation du support de montage.

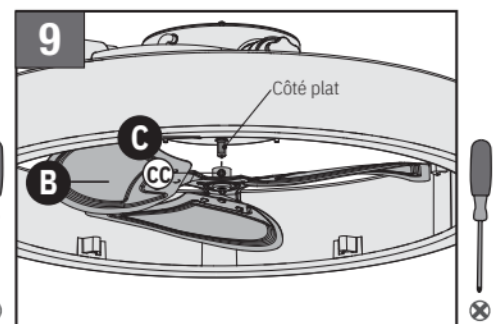
## Ensemble du ventilateur



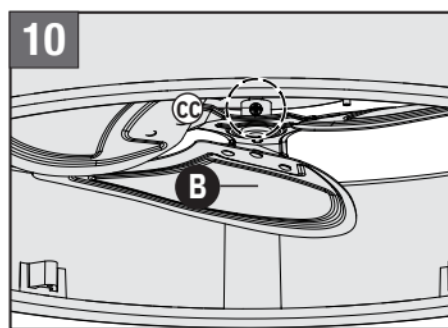
Orientez le support de montage (AA) de façon à ce que le cordon d'alimentation du ventilateur puisse être acheminé directement vers la prise désirée. Fixez le support de montage à l'aide des ancrages de 5/16 po (DD) fournis dans le sac de quincaillerie ★



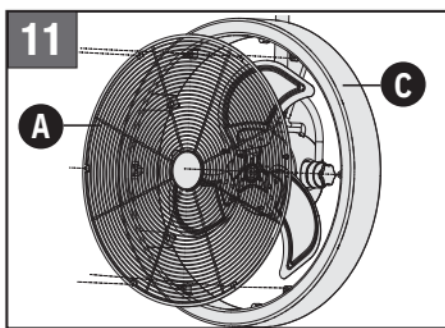
Dévissez la vis de l'ensemble de pales préinstallée (CC) jusqu'à ce qu'aucun filet ne dépasse.



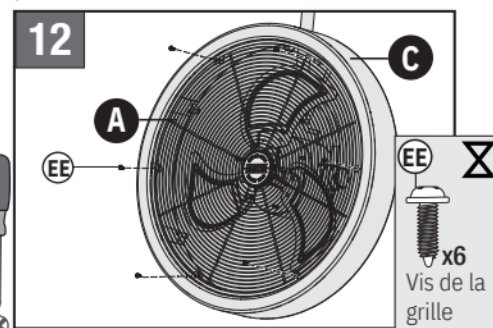
Avec la vis de l'ensemble de pales (CC) orientée vers la tête du ventilateur (C), faites glisser l'ensemble de pales (B) sur l'arbre du moteur de la tête du ventilateur. Orientez l'ensemble de pales de manière à ce que la vis de l'ensemble de pales entre en contact avec le côté plat de l'arbre lors du serrage. Il peut être nécessaire de bouger légèrement l'ensemble de pales pendant l'insertion afin de franchir le rebord de l'arbre.



Serrez la vis de l'ensemble de pales (CC). Assurez-vous que l'ensemble de pales (B) est bien fixé.

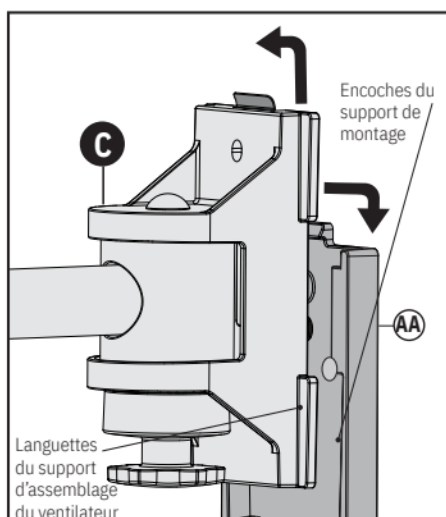


Placez la grille avant (A) sur le dessus de la tête du ventilateur (C) en alignant les trous de vis de la grille avant avec ceux de la tête du ventilateur. Assurez-vous que le logo est aligné avec les boutons de réglage pour une orientation correcte.

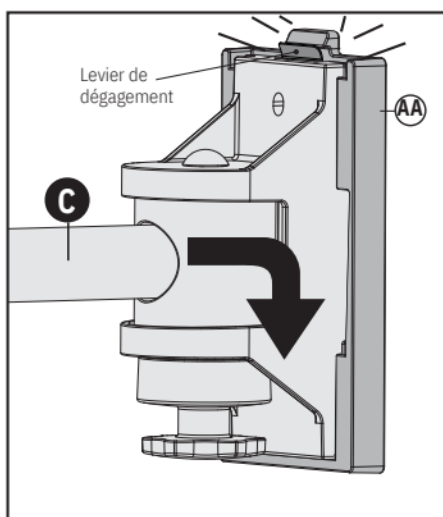


À l'aide d'un tournevis, fixez la grille avant (A) à la tête du ventilateur (C) à l'aide des vis de l'ensemble du ventilateur (EE) fournies dans le sac de quincaillerie. ✗

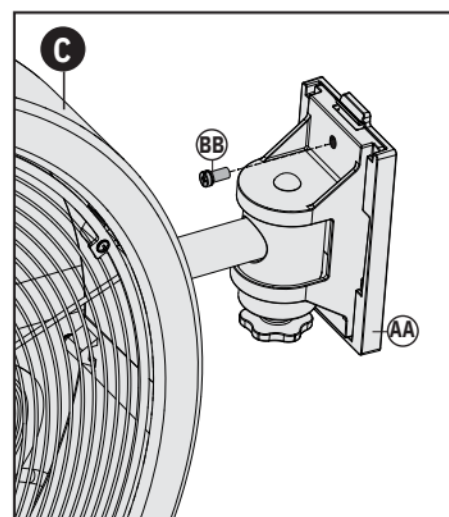
## Montage du ventilateur



Soulevez le ventilateur et alignez le support d'assemblage du ventilateur (C) avec le support de montage installé (AA). Les languettes du support d'assemblage (C) s'insèrent dans les encoches du support de montage (AA).

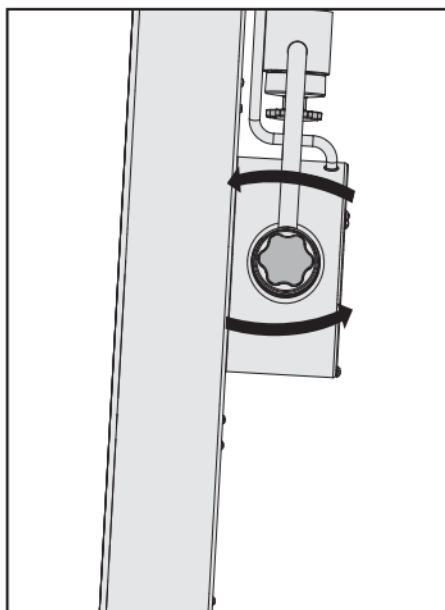


Insérez le support de l'ensemble du ventilateur (C) dans le support de montage et faites-le glisser vers l'autre extrémité du support de montage. Un clic audible se fera entendre lorsque le ventilateur sera bien fixé.

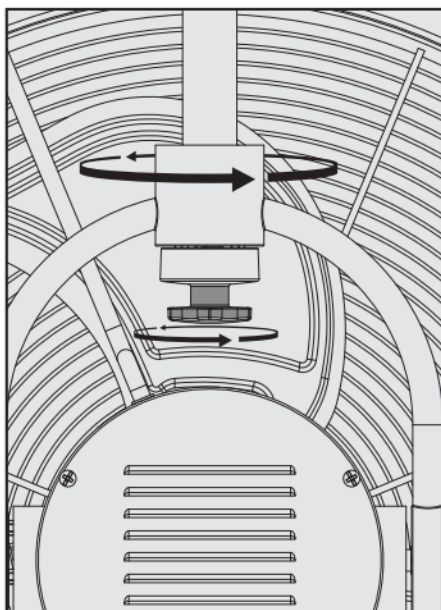


Prenez la vis de fixation du support de montage (BB) mise de côté précédemment, réinsérez-la maintenant et serrez-la afin de fixer le ventilateur (C) au support (AA).

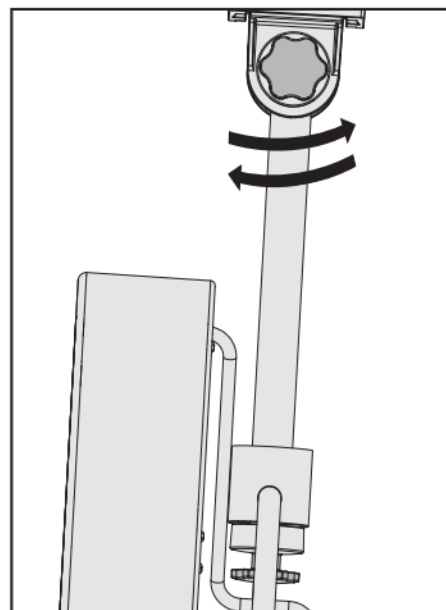
## Réglage du ventilateur



Desserrez le bouton situé sur le côté du moteur en le tournant dans le sens antihoraire. Faites pivoter la tête du ventilateur à ce point de pivot jusqu'à l'angle désiré. Resserrez le bouton en le tournant dans le sens horaire afin de verrouiller la position.

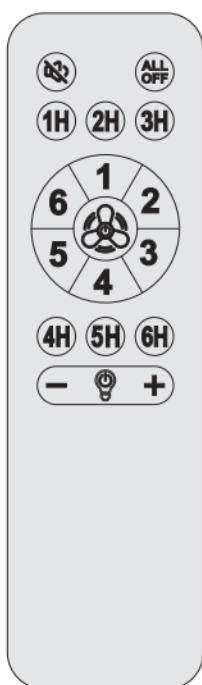


Desserrez le bouton situé au sommet de la tige d'extension en le tournant dans le sens antihoraire. Ajustez la rotation de la tête du ventilateur au besoin. Resserrez le bouton en le tournant dans le sens horaire afin de verrouiller la position.



Desserrez le bouton situé juste au-dessus du support de montage en le tournant dans le sens antihoraire. Ajustez l'ensemble du ventilateur à l'angle désiré. Resserrez le bouton en le tournant dans le sens horaire afin de verrouiller la position.

## Fonctionnement de la télécommande du ventilateur



### Appairage de la télécommande

1. Coupez l'alimentation du ventilateur pendant au moins 10 secondes.
2. Rétablissez l'alimentation et, dans les 3 secondes, appuyez sur le bouton TOUT ÉTEINT de la télécommande.
3. Lorsque vous entendez deux bips courts, l'appairage est terminé.



### Tout éteint

Appuyez une fois sur le bouton TOUT ÉTEINT pour éteindre toutes les fonctions du ventilateur et de l'éclairage.



### Sourdine activée / désactivée

Appuyez sur le bouton SOURDINE pour activer ou désactiver le retour sonore. Un bip confirmera le réglage.



### Minuterie (1H-6H)

Appuyez sur 1H, 2H, 3H, 4H, 5H ou 6H pour régler la minuterie d'arrêt automatique. Appuyez sur n'importe quel bouton autre que celui de la minuterie pour annuler la minuterie.



### Ventilateur marche / arrêt

- Appuyez sur le bouton VENTILATEUR MARCHÉ / ARRÊT pour allumer ou éteindre le ventilateur.
- Maintenez enfoncé le bouton VENTILATEUR MARCHÉ / ARRÊT pour inverser le sens de rotation du ventilateur.



### Vitesses du ventilateur

Appuyez sur le numéro correspondant à la vitesse désirée. La vitesse 1 du ventilateur est la plus basse et la vitesse 6 est la plus élevée.



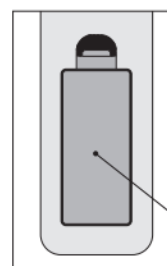
### Atténuation de la lumière

Appuyez sur DIMINUTION pour réduire la luminosité de la lumière.



### Augmentation de la luminosité de la lumière

Appuyez sur AUGMENTER LA LUMINOSITÉ pour augmenter la luminosité de la lumière.



Clip du couvercle du compartiment à piles

Maintenez enfoncé le clip du couvercle du compartiment à piles, puis tirez sur le couvercle pour le retirer. Installez deux piles AAA de 1,5 V en vous assurant que la polarité (+/-) est correcte.

## Nettoyage et entretien / Entreposage du ventilateur

- Débranchez toujours le ventilateur avant le nettoyage, le démontage ou l'entretien.
- Utilisez uniquement un chiffon doux et humide avec une solution de savon doux pour nettoyer la surface du ventilateur.
- Utilisez un nettoie-pipe, un plumeau flexible, un aspirateur ou de l'air comprimé pour nettoyer entre les grilles.
- NE PAS immerger le ventilateur dans l'eau. Ne laissez jamais l'eau s'écouler dans le boîtier du moteur.
- En cas de problème avec la télécommande, assurez-vous que la pile est installée avec la polarité correcte (+/-).

Lors de l'entreposage du ventilateur, il est important de le conserver dans un endroit sûr et sec. Il est important de protéger la tête du ventilateur contre la poussière. L'utilisation de la boîte d'origine est fortement recommandée.

## GARANTIE LIMITÉE DE HUNTER

Hunter Fan Company accorde cette garantie limitée à l'acheteur original de ce produit Hunter. Ce document peut être consulté à l'adresse [www.HunterFan.com](http://www.HunterFan.com).  
Merci d'avoir choisi Hunter !

### Comment obtenir un service au titre de la garantie ?

Une preuve d'achat est requise pour toute demande de service sous garantie. L'acheteur original doit présenter un reçu de vente ou tout autre document établissant la preuve d'achat. Hunter peut, à sa seule discrétion, accepter un reçu de cadeau. Pour obtenir du service, communiquez avec Hunter Fan Company en ligne ou par téléphone.

[www.HunterFan.com/Support/Contact-Us/](http://www.HunterFan.com/Support/Contact-Us/) 1.888.830.1326

Veuillez ne pas expédier votre ventilateur ni aucune pièce de celui-ci à Hunter. Toute livraison sera refusée.

### Que couvre cette garantie ?

#### Garantie limitée d'un an

Si une pièce quelconque de votre produit Hunter tombe en panne à tout moment dans l'année suivant la date d'achat en raison d'un défaut de matériau ou de fabrication, tel que déterminé uniquement par Hunter, Hunter fournira gratuitement une pièce ou un produit de remplacement. Si aucun produit ou pièce de remplacement ne peut être fourni pour votre produit, Hunter fournira, à sa seule discrétion, un produit ou une pièce de remplacement comparable ou de qualité supérieure.

### Que ne couvre PAS cette garantie ?

**Main-d'œuvre exclue.** Cette garantie ne couvre aucun coût ni frais associés à la main-d'œuvre (y compris les honoraires d'électricien) requis pour l'installation, le retrait ou le remplacement d'un produit ou de ses pièces.

Les produits achetés ou installés à l'extérieur des États-Unis ; les produits appartenant à une personne autre que l'acheteur original ; les produits pour

lesquels aucune preuve d'achat n'a été établie ; les produits achetés auprès d'un détaillant non autorisé ; l'usure normale ; les défauts esthétiques mineurs ; les produits remis à neuf ; ainsi que les produits endommagés en raison de l'une ou l'autre des situations suivantes : installation inadéquate, mauvaise utilisation, abus, entretien inadéquat, non-respect des instructions de Hunter, dommages accidentels causés par le propriétaire ou des parties liées, modifications apportées au produit, entretien ou réparation inadéquats ou mal effectués, alimentation électrique inadéquate ou surtension, utilisation de pièces ou d'accessoires inappropriés, défaut d'entretien du produit ou cas de force majeure (par exemple, une inondation).

LE SEUL ET UNIQUE RECOURS DE L'ACHETEUR ORIGINAL POUR TOUTE RÉCLAMATION DE QUELQUE NATURE QUE CE SOIT À L'ÉGARD DE CE PRODUIT EST CELUI ÉNONCÉ DANS LES PRÉSENTES. HUNTER FAN COMPANY N'EST PAS RESPONSABLE DES DOMMAGES INDIRECTS OU ACCESSOIRES DÉCOULANT D'UNE DÉFAILLANCE DU PRODUIT, QUE CES DOMMAGES RÉSULTENT D'UNE VIOLATION DE GARANTIE, D'UNE VIOLATION DE CONTRAT OU AUTREMENT. Certains États ne permettent pas l'exclusion ou la limitation des dommages accessoires ou indirects ; il est donc possible que la limitation ou l'exclusion ci-dessus ne s'applique pas à votre situation.

TOUTE GARANTIE IMPLICITE DE QUALITÉ MARCHANDE OU D'ADAPTATION À UN USAGE PARTICULIER APPLICABLE À CE PRODUIT EST LIMITÉE, QUANT À SA DURÉE, À LA PÉRIODE DE COUVERTURE DES GARANTIES LIMITÉES APPLICABLES ÉNONCÉES CI-DESSUS. Certains États ne permettent pas de limiter la durée d'une garantie implicite ; il est donc possible que la limitation ci-dessus ne s'applique pas à votre situation.

### Comment la loi de l'État affecte-t-elle la couverture de la garantie ?

Cette garantie vous confère des droits légaux précis. Vous pouvez également bénéficier d'autres droits qui varient d'un État à l'autre.