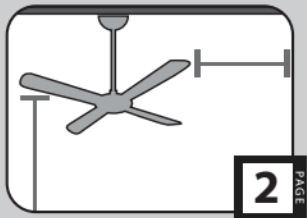
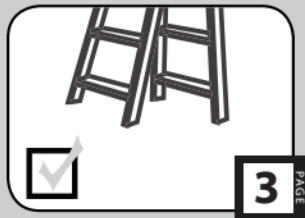


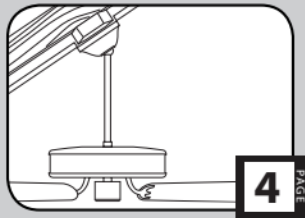
**What to Expect with Your Installation**



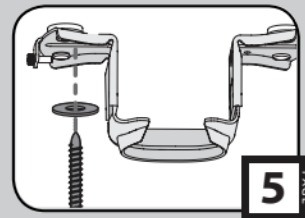
**Preparation**



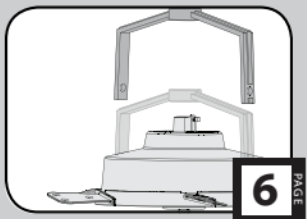
**Mounting Options**



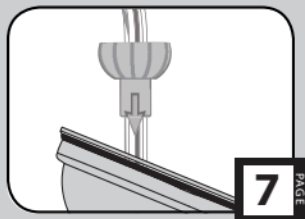
**Ceiling Bracket**



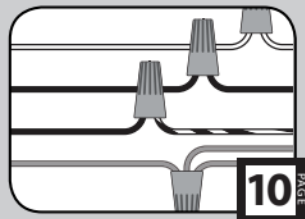
**Decorative Arms**



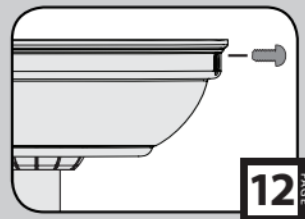
**Downrod**



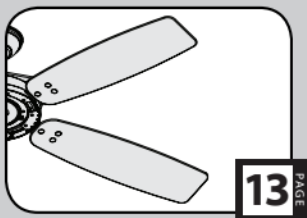
**Wiring**



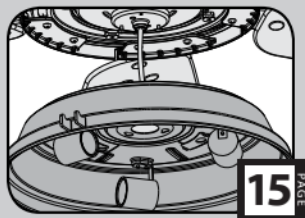
**Canopy**



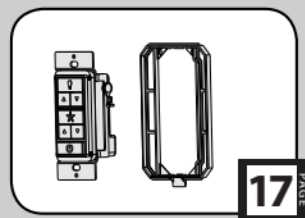
**Blades**



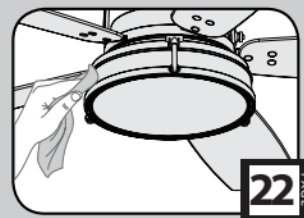
**Light Kit**



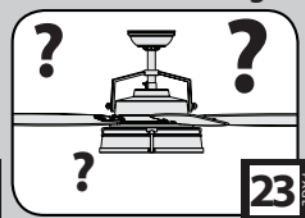
**Wall Control**

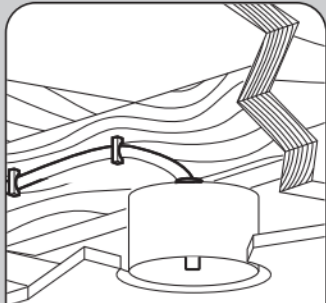


**Maintenance & Cleaning**



**Troubleshooting**

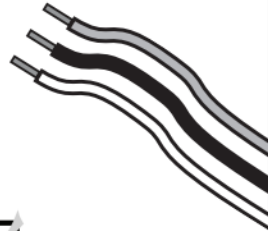




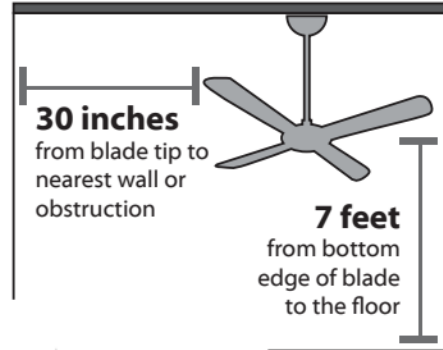
Must be able to secure the fan to building structure or fan-rated outlet box



If you are unfamiliar with wiring, use a qualified electrician.



Know your wiring



Assess location

You may need a friend to help you.



Check box to see fan weight



Ceiling angles greater than 34° will require an Angled Mounting Kit. See page 4 for details.



Assess ceiling angle

**1 Standard Downrod** for ceilings 8-10 feet high

**2 Longer Downrod** for ceilings 10 feet or higher



Select a downrod length

## Read and Save These Instructions

This product conforms to UL Standard 507.

### ⚠ WARNINGS

- w.1 - To reduce the risk of fire, electrical shock, or personal injury, mount fan directly from building structure and/or an outlet box marked acceptable for fan support of 70 lbs (31.8 kg) and use the mounting screws provided with the outlet box.
- w.2 - To avoid possible electrical shock, before installing or servicing your fan, disconnect the power by turning off the circuit breakers to the outlet box and associated wall switch location. If you cannot lock the circuit breakers in the off position, securely fasten a prominent warning device, such as a tag, to the service panel.
- w.3 - To reduce the risk of fire, electrical shock, or motor damage, use only Hunter Solid State Speed Controls.
- w.4 - To reduce the risk of personal injury, do not bend the blade brackets when installing the blade brackets, balancing the blades, or cleaning the fan. Do not insert foreign objects in between rotating fan blades.

### ⚠ CAUTIONS

- c.1 - All wiring must be in accordance with national and local electrical codes ANSI/NFPA 70. If you are unfamiliar with wiring, use a qualified electrician.
- c.2 - Use only Casablanca replacement parts.

*This equipment has been tested and found to comply with the limits for a Class B digital device, pursuant to part 15 of the FCC Rules. These limits are designed to provide reasonable protection against harmful interference in a residential installation. This equipment generates, uses and can radiate radio frequency energy and if not installed and used in accordance with the instructions may cause harmful interference to radio communications.*

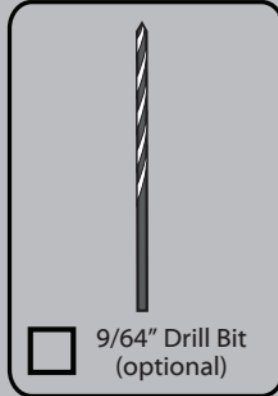
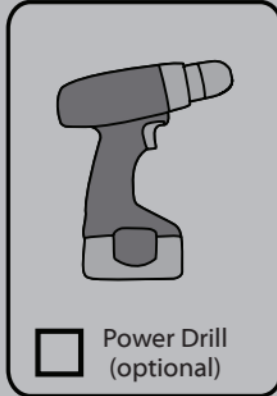
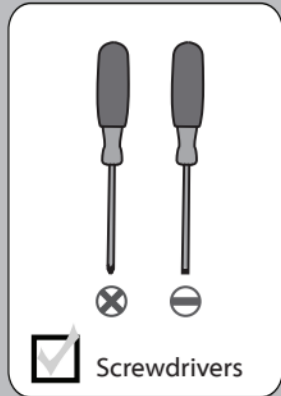
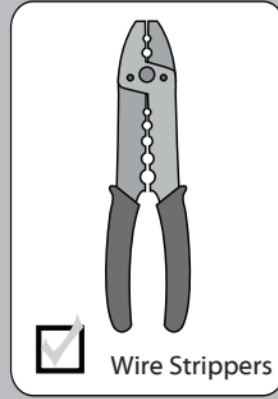
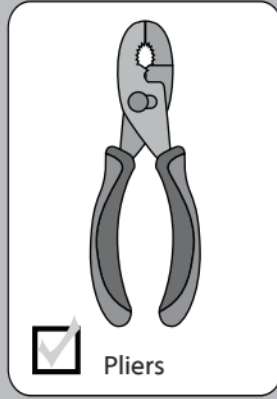
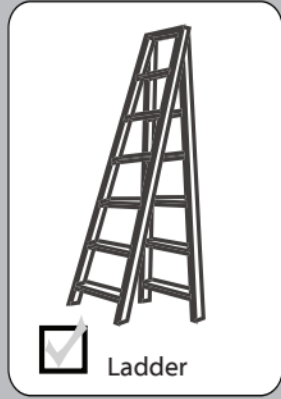
*However, there is no guarantee that interference will not occur in a particular installation. If this equipment does cause harmful interference to radio or television reception, which can be determined by turning the equipment off and on, the user is encouraged to try to correct the interference by one or more of the following measures:*

- Reorient or relocate the receiving antenna.
- Increase the separation between the equipment and receiver.
- Connect the equipment into an outlet on a circuit different from that to which the receiver is connected.
- Consult the dealer or an experienced radio/TV technician for help.

*Caution: modifications not approved by the party responsible for compliance could void user's authority to operate the equipment.*

*This device complies with Part 15 of the FCC Rules. Operation is subject to the following two conditions: (1) This device may not cause harmful interference, and (2) this device must accept any interference received, including interference that may cause undesired operation.*

**Tools Needed**



**If mounting to a support structure, you will also need these tools.**



Do not discard the hardware bags or mix parts from different bags. Make note of the symbol printed on each hardware bag. The symbols can be used to identify the appropriate hardware for each step.

34°

CEILING ▲

**If you have a flat ceiling:**

Hang your fan by a standard downrod (included).

Standard  
Mounting**OPTION 1****If you have an angled ceiling:**

1. You will need a longer downrod (sold separately).
2. If your ceiling angle is greater than 34°, you will also need an Angled Mounting Kit (sold separately).

Angled  
Mounting**OPTION 2**

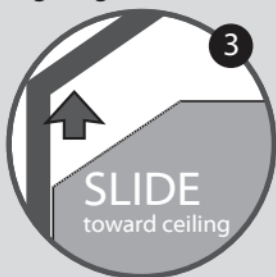
Use the three steps below to determine if your ceiling angle is greater than 34°



1

**FOLD**  
on dotted line

2

**PLACE**  
against wall

3

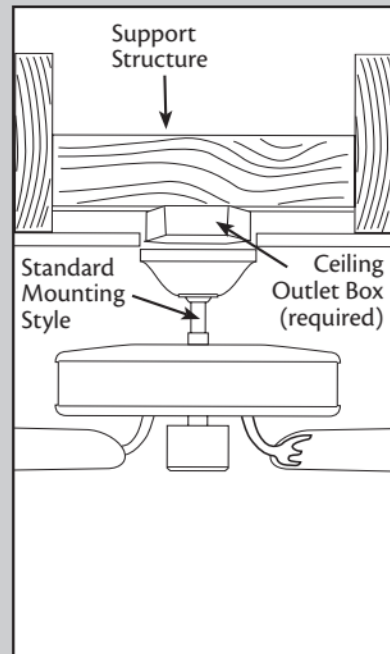
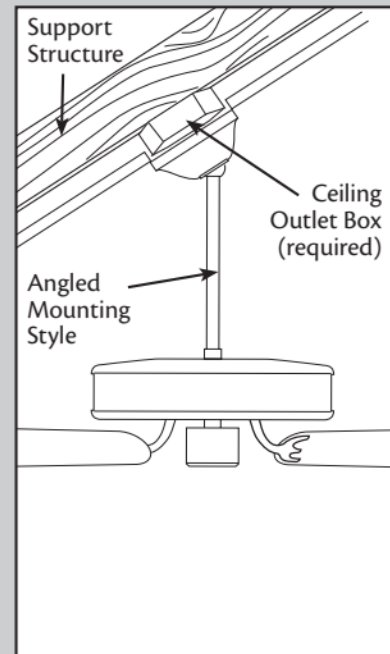
**SLIDE**  
toward ceilingGuide Touches  
**BOTH** Ceiling & WallYou need **ONLY**  
a Longer  
Downrod

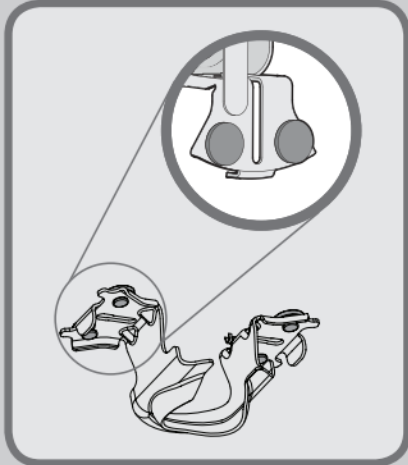
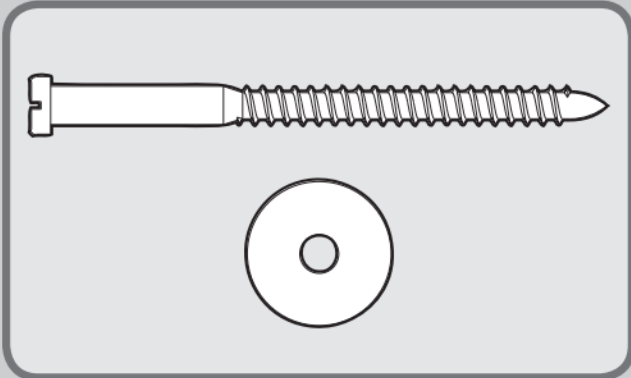
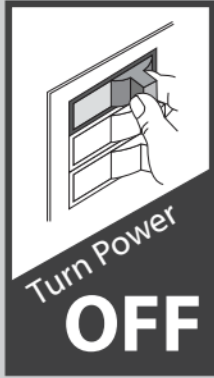
\*most common

**SITUATION 1**Guide Touches Wall  
but **NOT** CeilingYou need **BOTH**  
a Longer  
Downrod &  
an Angled  
Mounting Kit**SITUATION 2****Mounting Options**

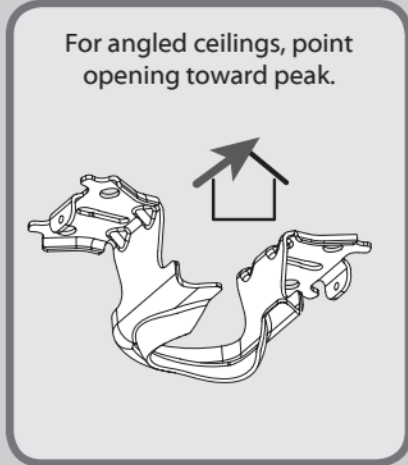
www.CasablancaFanCo.com

1.888.227.2178

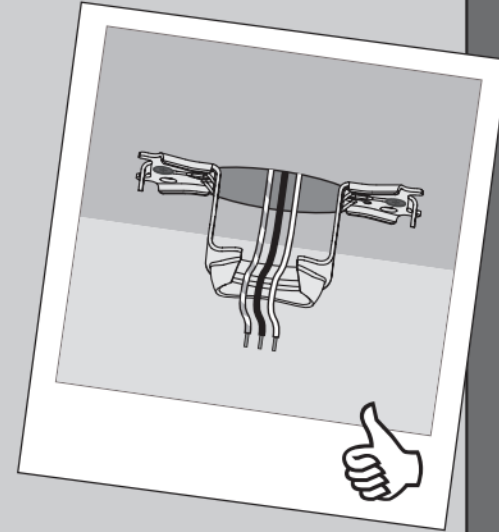
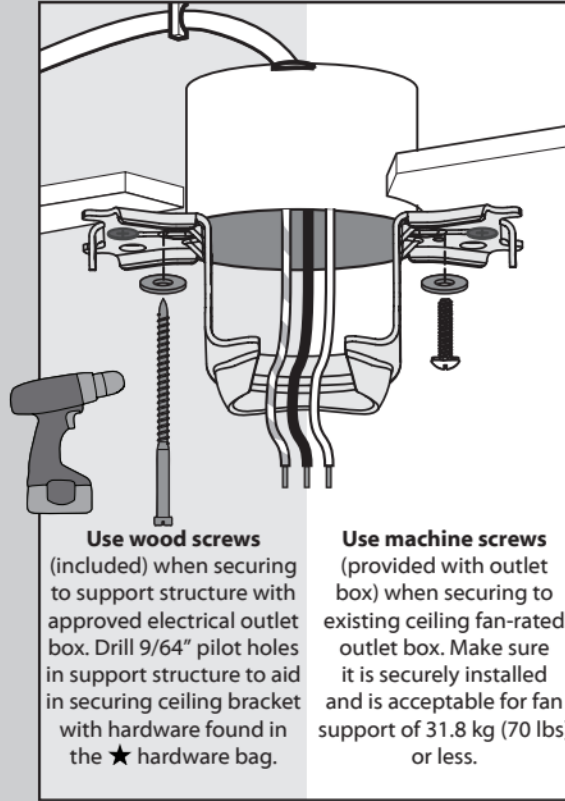
Use **Standard Mounting**  
to hang the fan from a flat ceiling.Use **Angled Mounting**  
to hang the fan from a  
vaulted or angled ceiling.



Make sure all four bumpers are still attached.

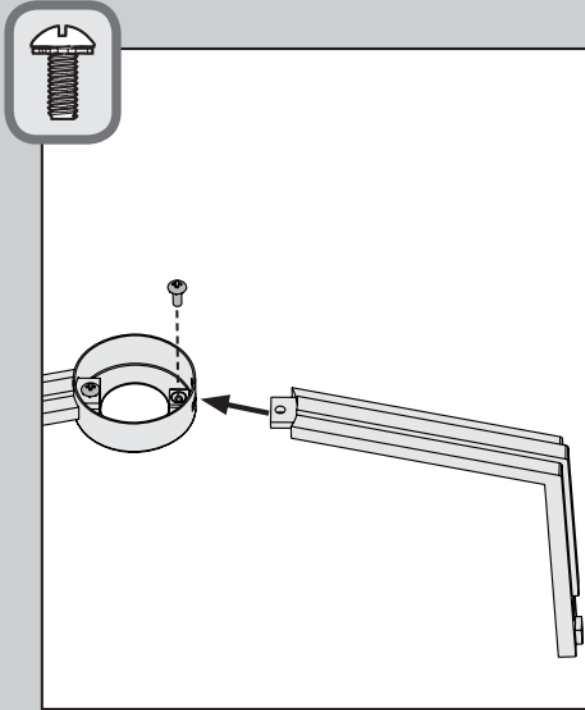


If you are unable to do this, call Technical Support at 1-888-227-2178.

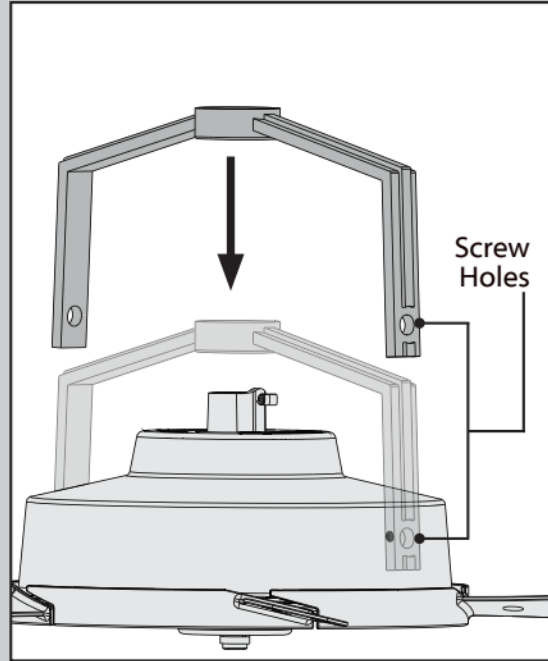


Refer to warning w.1 on pg. 2

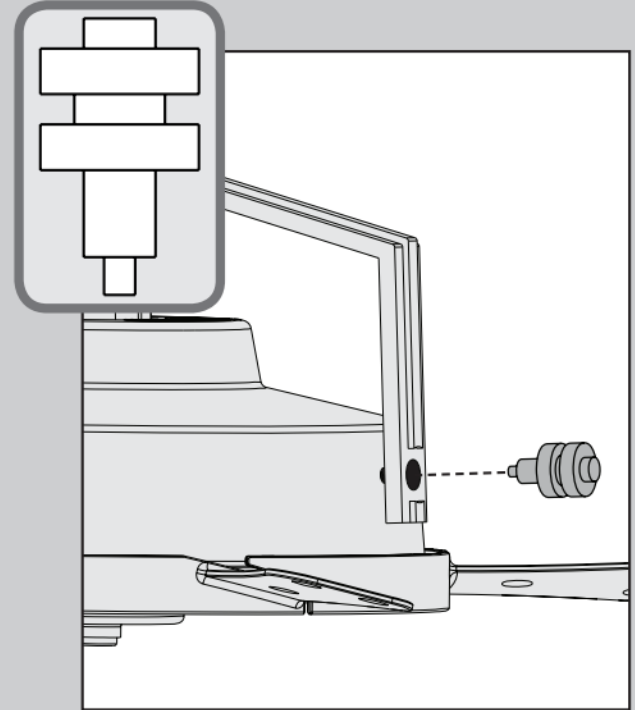
To avoid possible electrical shock, before installing your fan, disconnect the power by turning off the circuit breakers to the outlet box associated with the wall switch location.



Install both decorative arms to the decorative cup using decorative arm screws found in the ● hardware bag.



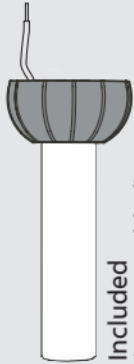
Align the screw holes on the decorative arms with the screw holes on the side of the fan.



Install the decorative screws through the holes in the decorative arms into the fan. **HAND TIGHTEN** to avoid damaging the finish.

Option 1

Standard Downrod for ceilings 8-10' high



Included (pre-assembled)

skip to next page

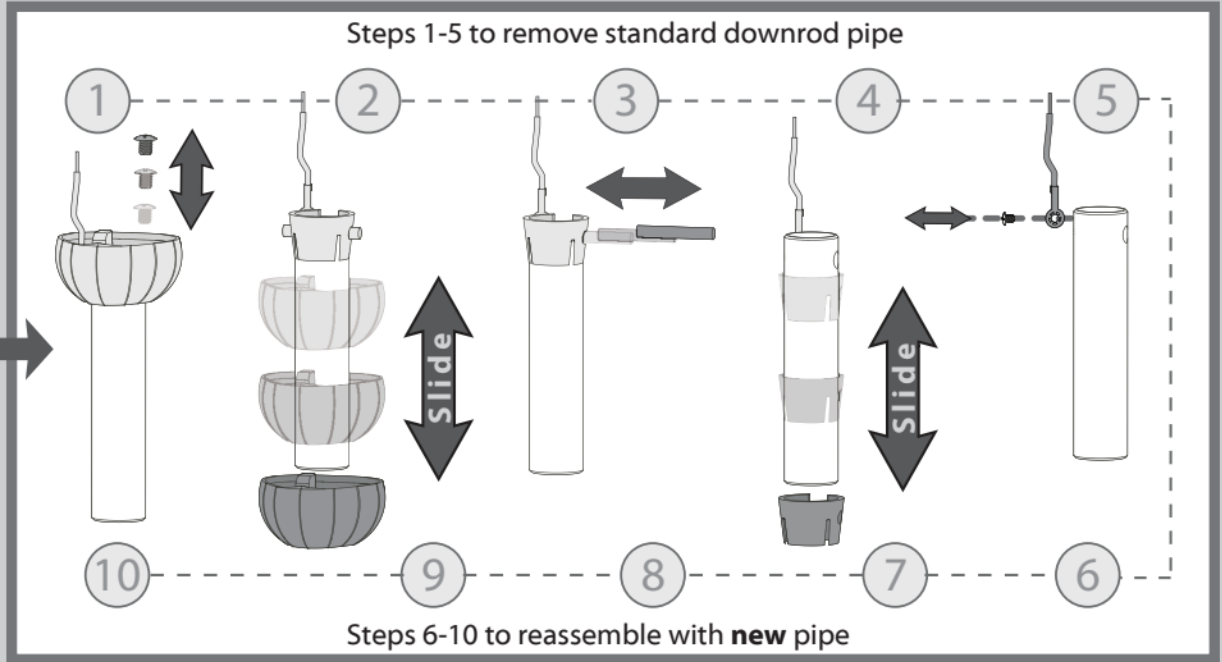
Option 2

Longer Downrod for angled ceilings or ceilings 10' or higher

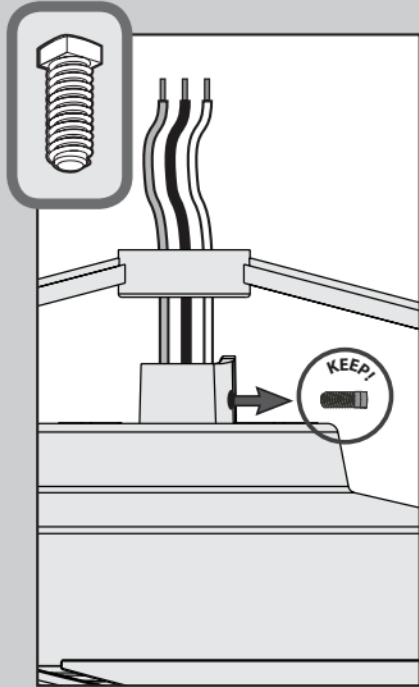


Sold Separately

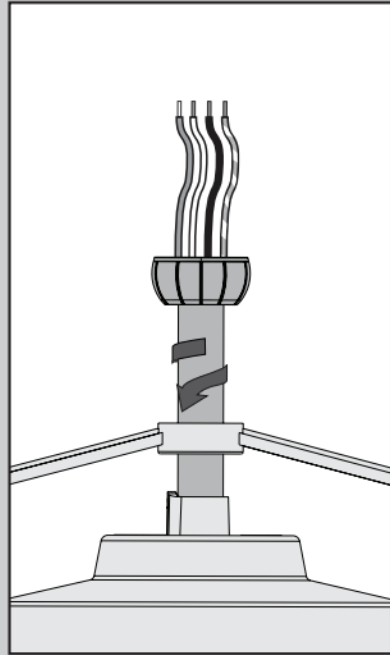
If you need a different downrod length follow these steps:



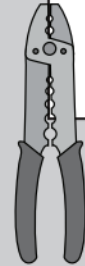
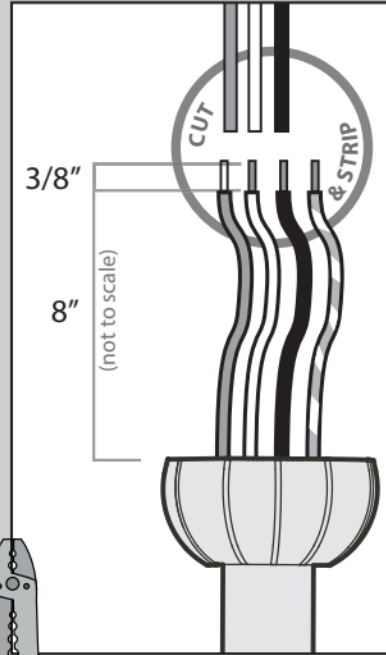




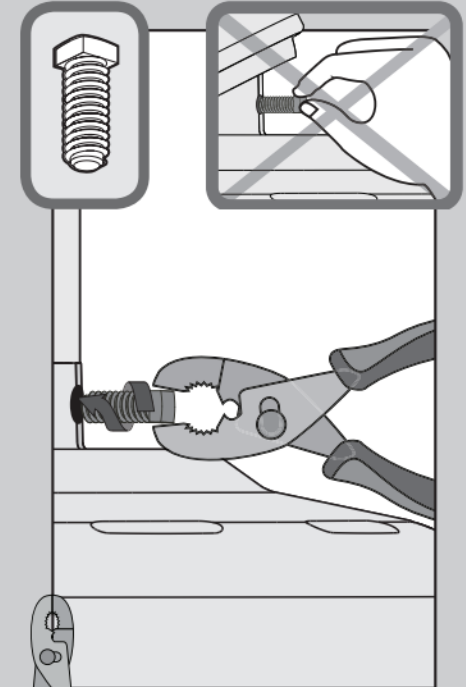
Remove the pre-installed setscrew so that the downrod can be inserted.



Thread the downrod through the decorative arm cup and into the fan. Hand tighten the downrod (at least 4-5 full turns) until it stops.



The wires can be cut, but leave at least 8" extending from the top of the downrod.



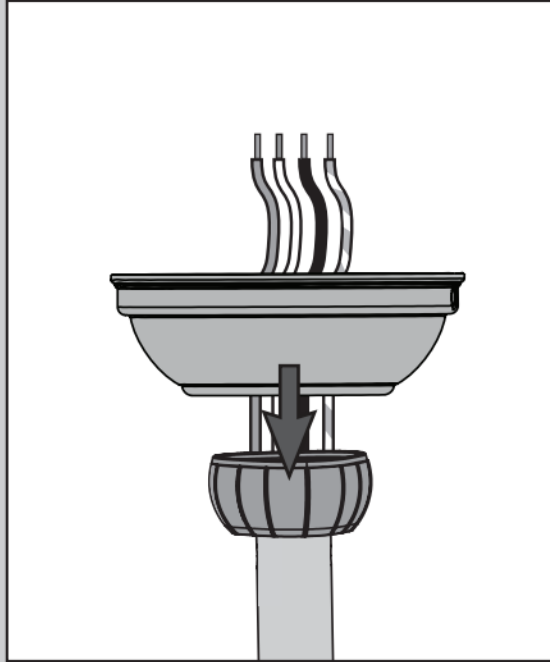
Tighten the setscrew with pliers. **DO NOT HAND TIGHTEN.**



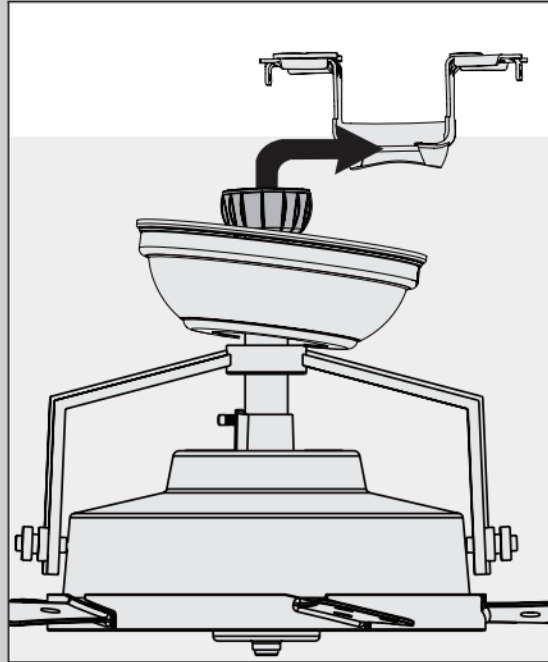
If the setscrew is not tightened securely, the fan may fall.



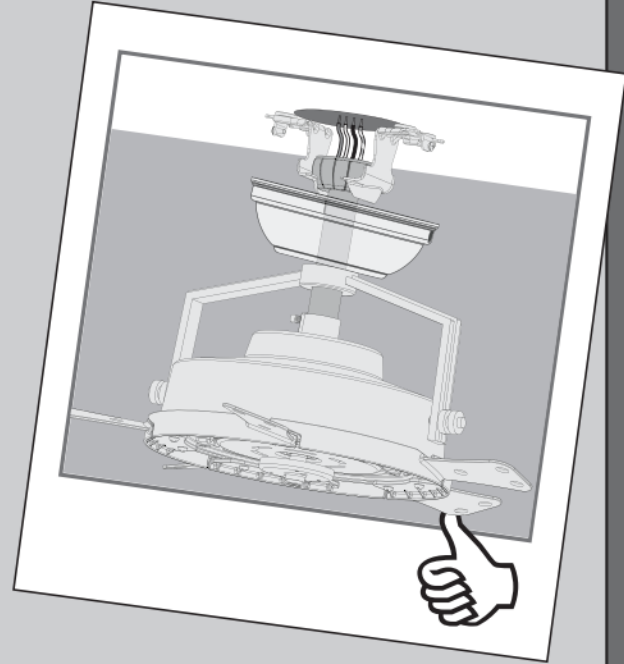




Put the wires and downrod through the canopy.  
Let the canopy sit loosely on top of the fan.



**DO NOT PICK THE FAN UP BY THE CANOPY OR WIRES.** Place the downrod ball into the slot in the ceiling bracket.





Have a single switch?  
Follow these steps:



Dual Switch  
Instructions

Connect the white (grounded) wire from the ceiling to the white wire from the fan.

Connect the black wire (ungrounded) from the ceiling to the black wire from the fan.

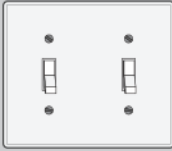
Cap the blue wire from the fan. You will not need it for single switch wiring.

Connect the three grounding wires (green, green/yellow stripe, or bare copper) coming from the ceiling, downrod, and hanging bracket.

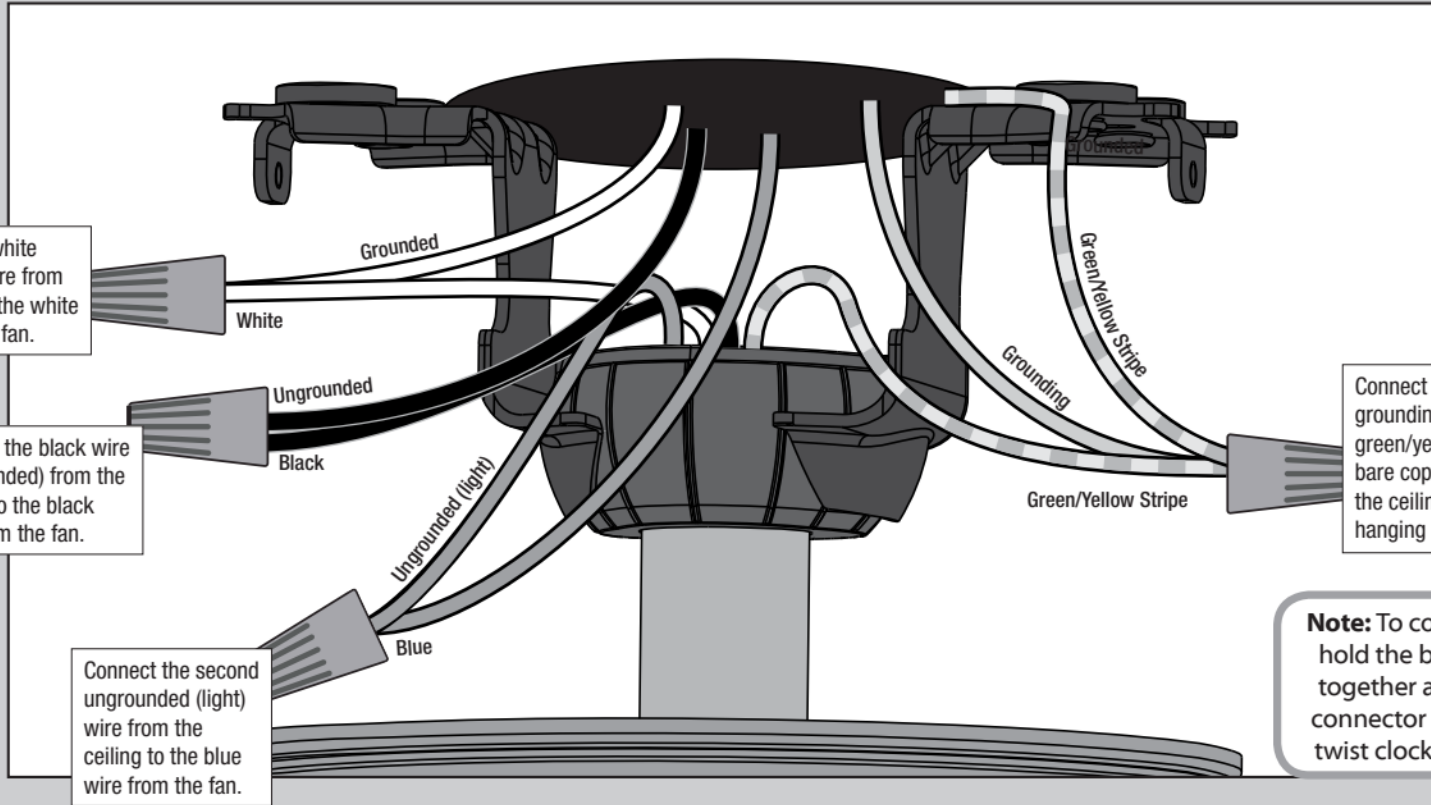
**Note:** To connect the wires, hold the bare metal leads together and place a wire connector over them, then twist clockwise until tight.

Turn the splices upward and push them carefully back through the hanger bracket into the outlet box. Spread the wires apart, with the grounded wires on one side of the outlet box and the ungrounded wires on the other side of the outlet box.

Refer to CAUTION c.1 on pg. 2



Have dual switches?  
Follow these steps:



Connect the white (grounded) wire from the ceiling to the white wire from the fan.

Connect the black wire (ungrounded) from the ceiling to the black wire from the fan.

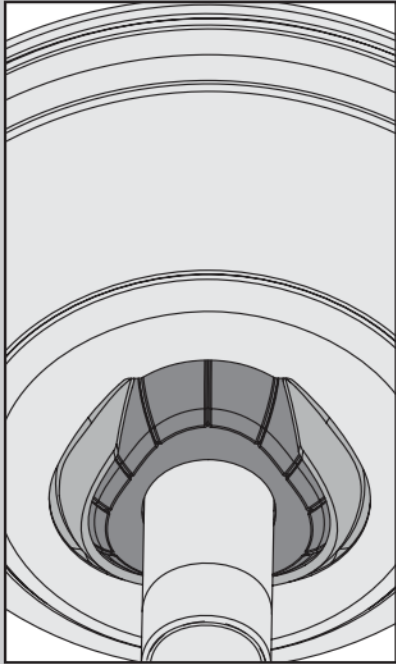
Connect the second ungrounded (light) wire from the ceiling to the blue wire from the fan.

Connect the three grounding wires (green, green/yellow stripe, or bare copper) coming from the ceiling, downrod, and hanging bracket.

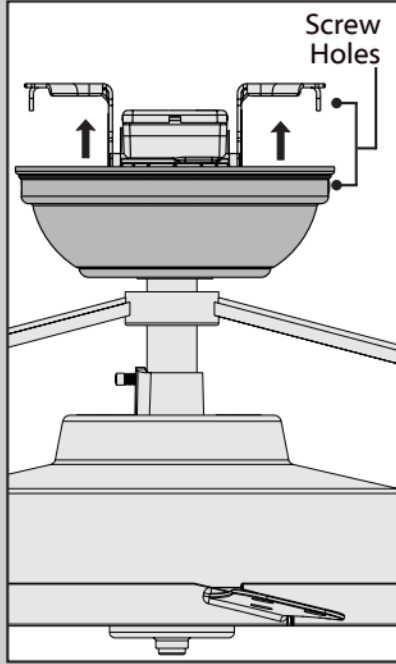
**Note:** To connect the wires, hold the bare metal leads together and place a wire connector over them, then twist clockwise until tight.

Turn the splices upward and push them carefully back through the hanger bracket into the outlet box. Spread the wires apart, with the grounded wires on one side of the outlet box and the ungrounded wires on the other side of the outlet box.

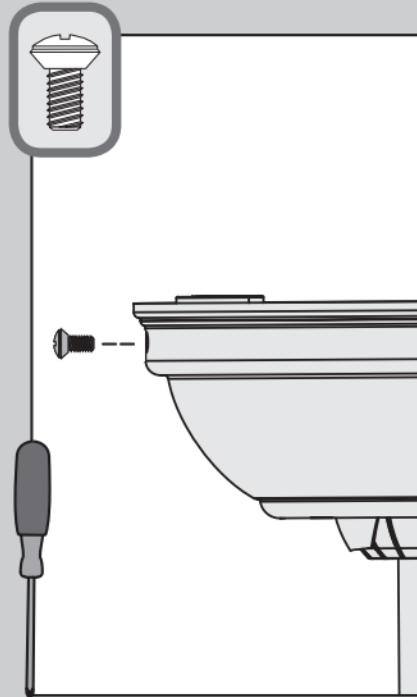
Refer to CAUTION c.1 on pg. 2



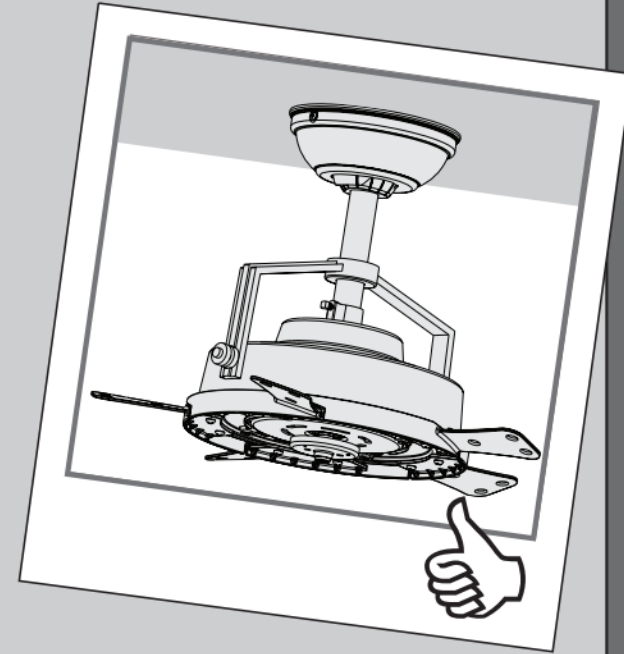
Position the canopy so that, when lifted into place, the canopy fits into the hanging bracket as shown.

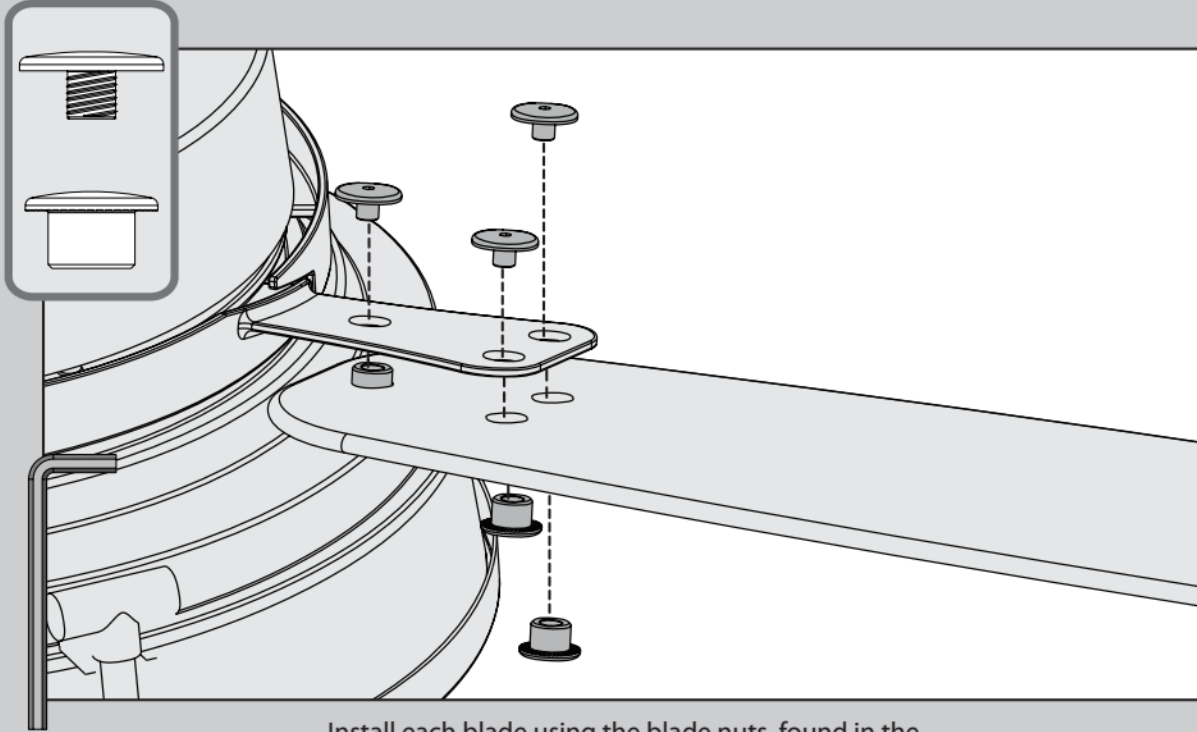


Lift the canopy into place so that the screw holes are aligned.

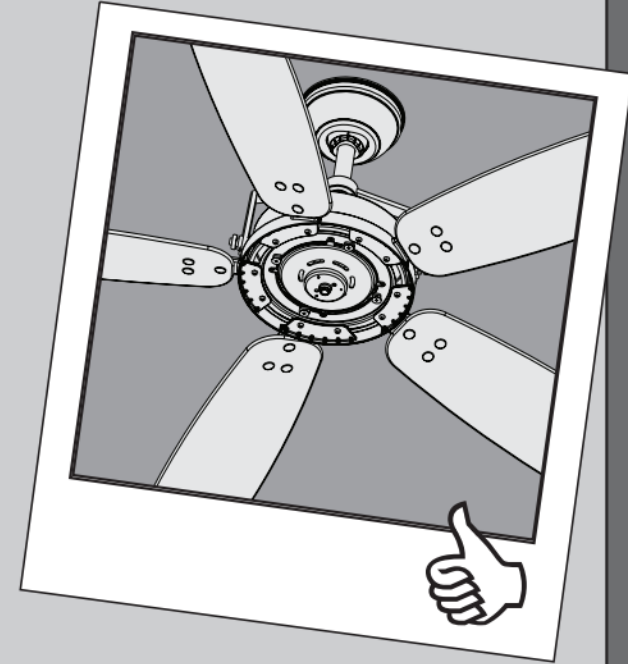


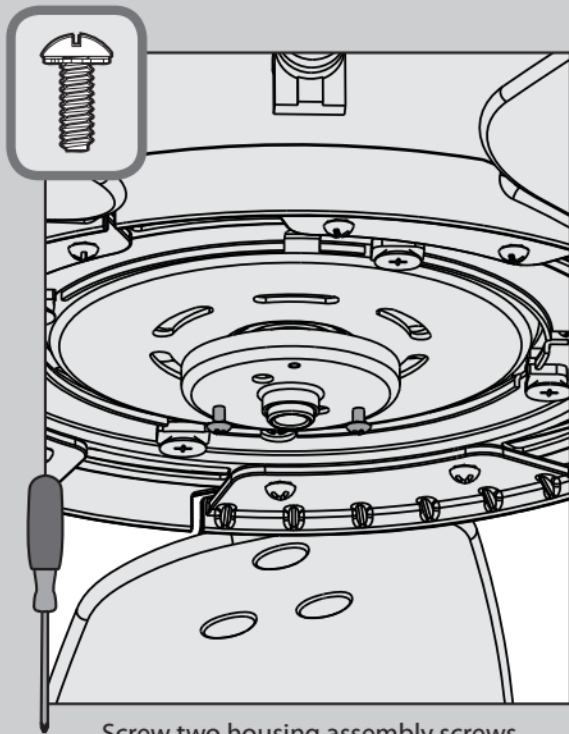
⊗ Install the two canopy screws found in the ● hardware bag.



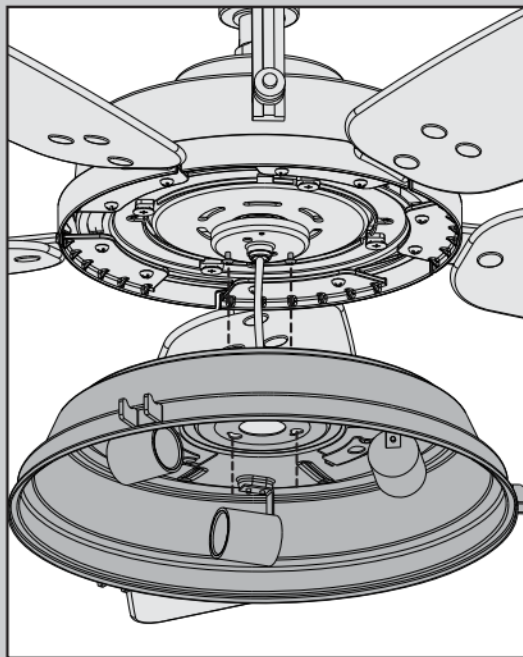


Install each blade using the blade nuts, found in the ■ hardware bag, and the blade assembly screws, found in the ▲ hardware bag. Secure the blade to a blade iron using the included Allen wrench.

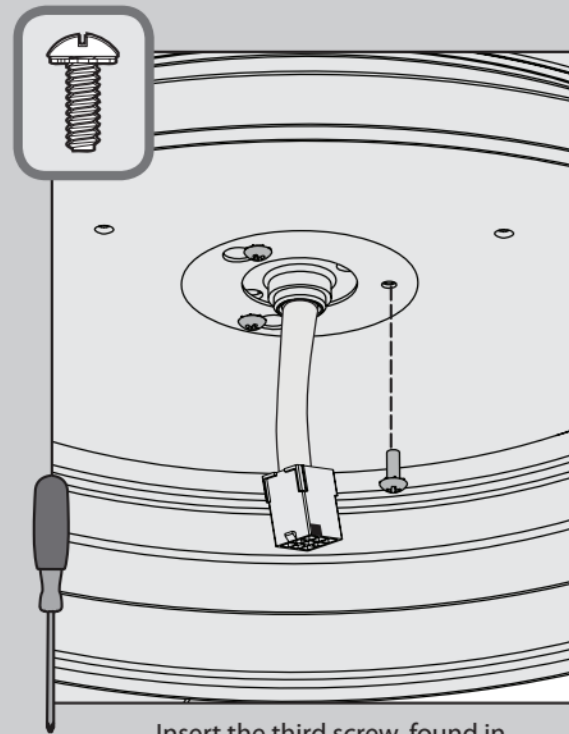




⊗ Screw two housing assembly screws from the ≡ hardware bag halfway into the motor housing. It does not matter which two screw holes you choose.



Feed the wire plug through the center hole of the upper switch housing, then wrap keyhole slots around the screws and twist counterclockwise.

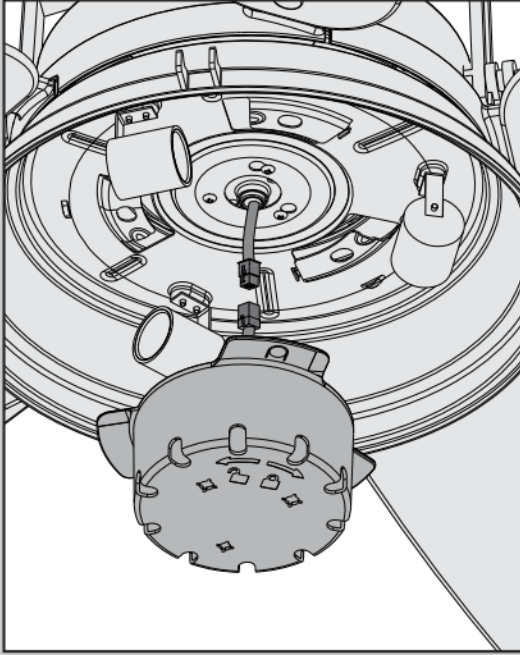


⊗ Insert the third screw, found in the ≡ hardware bag, into place and then tighten all three screws.

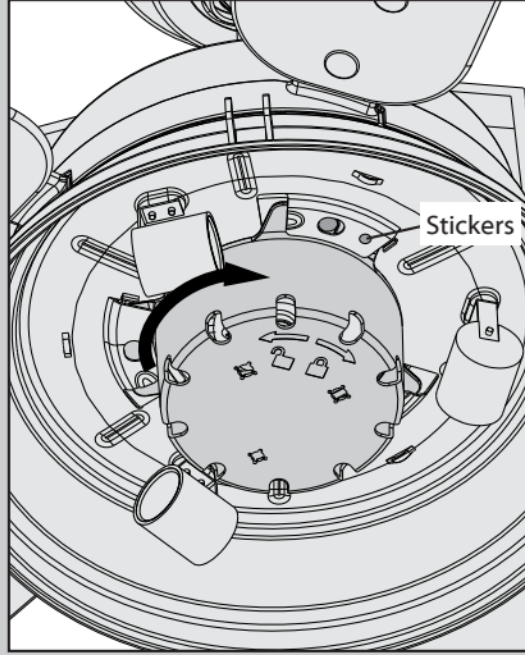
Make sure the upper switch housing is securely attached to the mounting plate. Failure to properly secure all 3 assembly screws could result in the switch housing fixture falling.



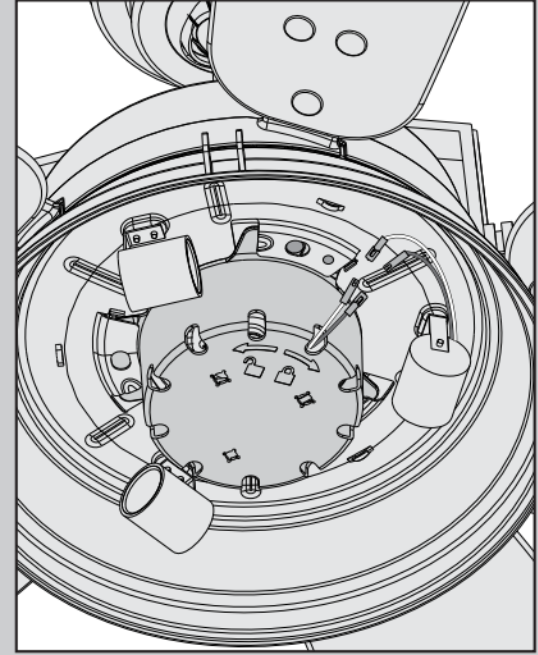




Connect the plugs from the upper and lower switch housings. Make sure to line up the colored markings on the connectors.



Align the colored sticker on the switch housing tab with the colored sticker on the corresponding tab on the light kit. Rotate the switch housing into place.

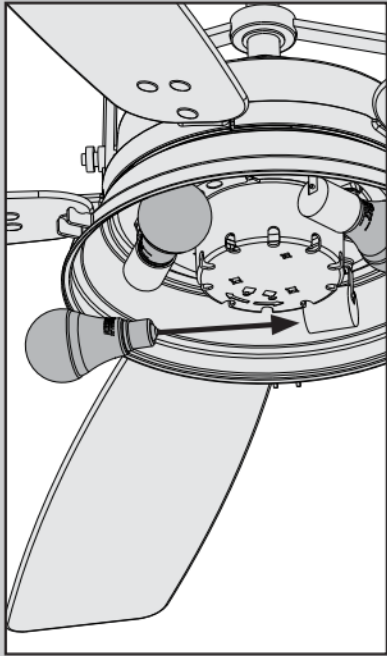


Connect the white wire from the switch housing to the white wire from the light kit. Connect the blue wire from the switch housing to the black wire from the light kit.

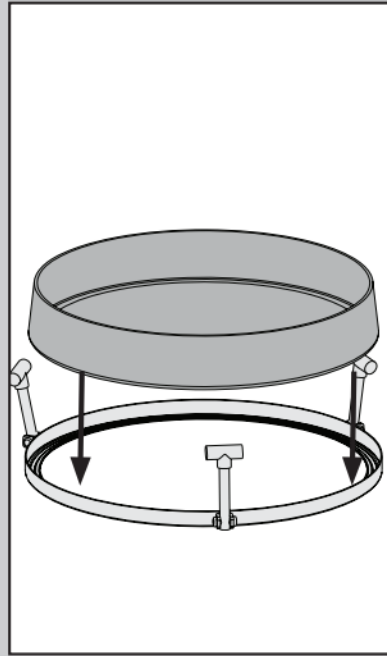
Make sure the lower switch housing is securely attached to the upper switch housing. Failure to properly secure all three tabs could result in the light fixture falling.



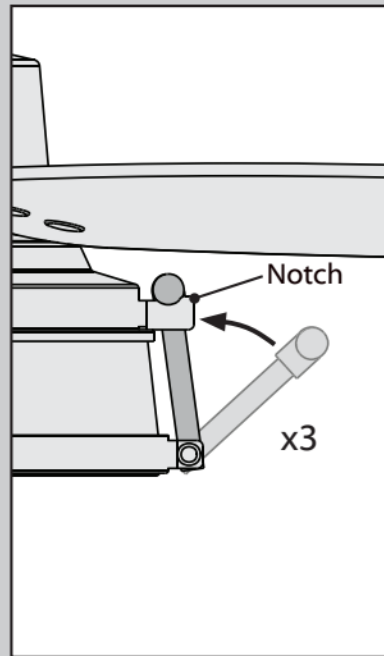




Install a bulb in each socket. When necessary, replace with bulbs of the same type and wattage.



Carefully place the globe into the globe ring. Support both the globe and the globe ring during installation.



Carefully raise the globe assembly and align the hammers on the globe ring with the notches on the fan. Press all three hammers into their respective notches.



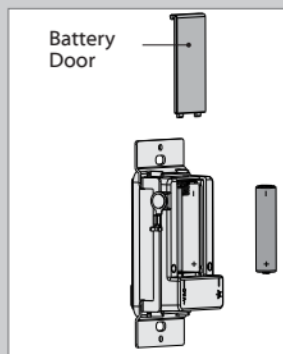
See next page for fan operation instructions. →

**!** If you have a dual switch setup, go to page 18 for dual switch installation instructions.

- 1** **Turning off the power**  
Ensure the power is OFF at the outlet box and wall switch location before proceeding with installation.

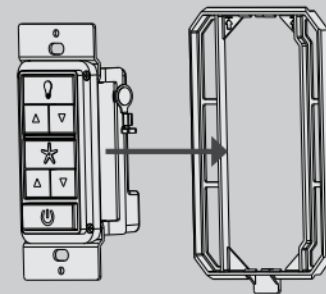


- 2** **Installing the battery**  
To access the battery compartment, slide the battery door up.  
Replace the used battery with two AAA batteries when needed.

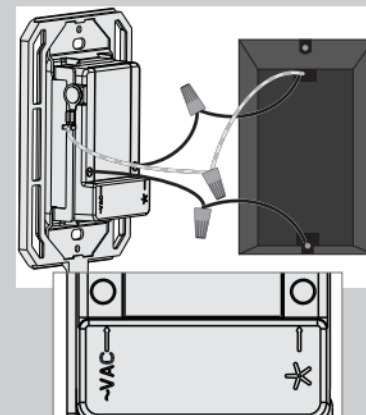


This device complies with Part 15 of the FCC Rules. Operation is subject to the following conditions: (1) this device may not cause harmful interference, and (2) this device must accept any interference received, including interference that may cause undesired operation.

- 3** **Installing the Wall Plate Bracket**  
Snap the Wall Control into the Wall Plate Bracket.

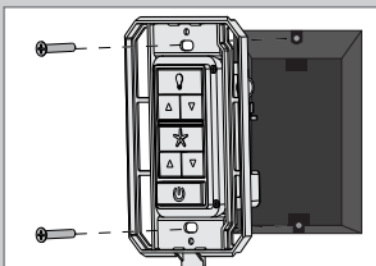


- 4** **Wiring the Wall Control**
1. Connect the grounding wire from the wall control to the ground control from the switch box using the provided wire nuts.
  2. Connect the "LIVE IN" from the switch box to the "~VAC" from the wall control using the provided wire nuts.
  3. Connect the "LIVE OUT" from the switch box to the "FAN" out from the wall control using the provided wire nuts.
  4. Push all wires into the switch box.



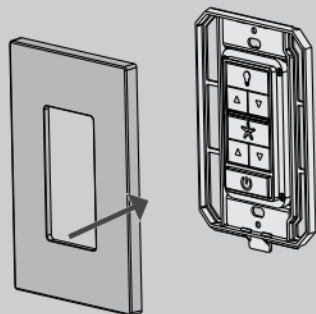
## 5 Installing the Wall Control

Install the longer screws through the slots in the wall control into the switch box screw holes.



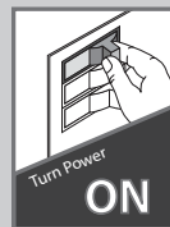
## 6 Installing the Wall Plate

Push the wall plate onto the Wall Plate Bracket. It should snap into place.



## 7 Turning on the power

**⚠ IMPORTANT**

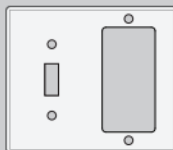


8 Reference the included remote function card for information on how to use your wall control!



To install the Casablanca Wall Control into a dual switch location, you will need a wall plate with both a standard switch and rocker switch cut-out (sold separately).

*If you are unfamiliar or uncomfortable with wiring, please contact a qualified electrician.*

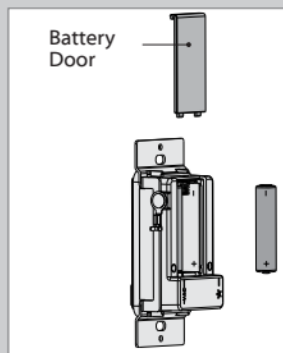


(Sold Separately)

## 1 Installing the battery

To access the battery compartment, slide the battery door up.

Replace the used battery with two AAA batteries when needed.



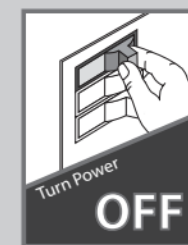
## 2 Verify which switch controls the fan light.

1. Turn on power for the fan.
2. Push both existing wall switches to the on position.
3. Press the Fan and Light button on the Casablanca Wall Control.
4. Your fan's light and fan should be on.
5. Push each of your existing wall switches into the off position one at a time to determine which switch controls the Light.
6. The Light switch will not be replaced when installing the Casablanca Wall Control. You may find it helpful to mark the Light switch with a pencil or some other non-permanent mark.



### ▲ IMPORTANT

- ## 3 Turn off the power
- Ensure the power is OFF at the outlet box and wall switch location before proceeding with installation.





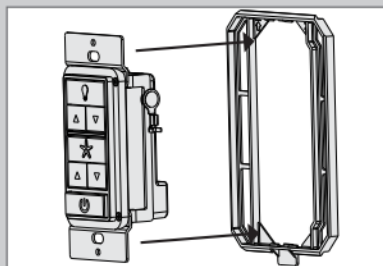
## 4 Remove the existing wall plate

Remove the existing wall plate. **Save the screws.** You will need them for the existing, marked light switch.



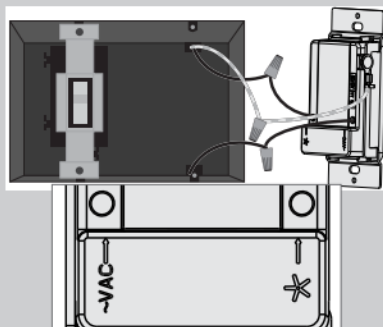
## 5 Remove the Casablanca Wall Control frame.

Remove the frame from the Casablanca Wall Control. You will not need it for the dual switch installation process.



## 6 Wiring the Casablanca Wall Control

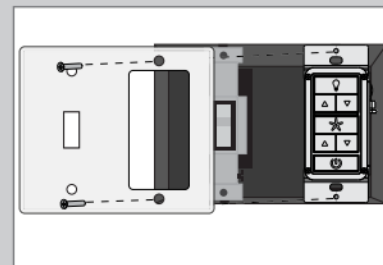
1. Connect the grounding wire from the wall control to the ground control from the switch box using the provided wire nuts.
2. Connect the "LIVE IN" from the switch box to the "-VAC" from the wall control using the provided wire nuts.
3. Connect the "LIVE OUT" from the switch box to the "FAN" out from the wall control using the provided wire nuts.
4. Push all wires into the switch box.



## 7 Install the Wall Plate

Install the wall plate that fits your setup (sold separately).

1. Use the screws you saved to reinstall into the light switch.
2. Use the screws included



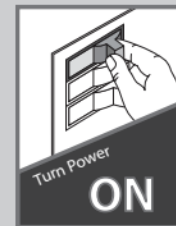
## 8 Installation complete

The existing light switch still controls the light on/off.


















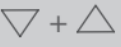
## 9 Turn on the power

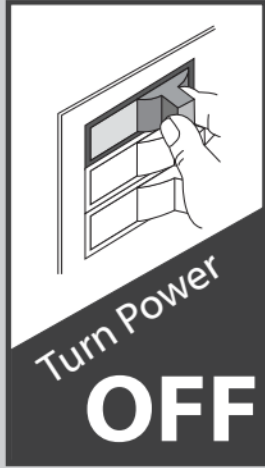
**⚠ IMPORTANT**



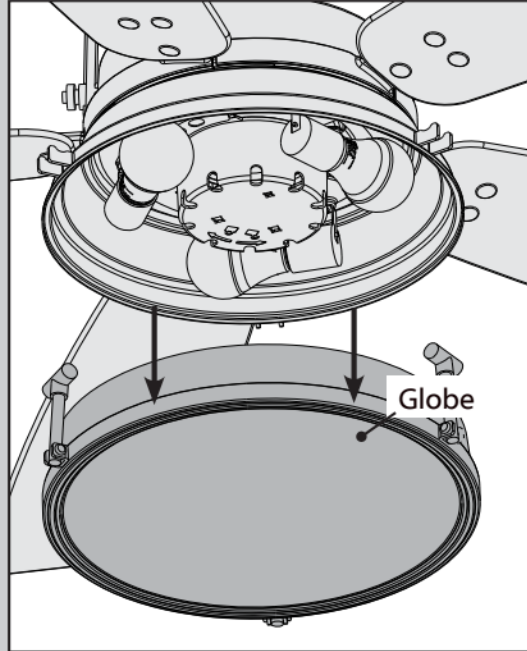
- 10 Reference the included remote function card for information on how to use your wall control!

KEY PRESS	FUNCTION
<b>LIGHT FUNCTIONS</b>	
	Light On/Off
	Light Dimming Control
Long Press 	Light High
Long Press 	Light Low
Long Press 	Dimming Mode On/Off

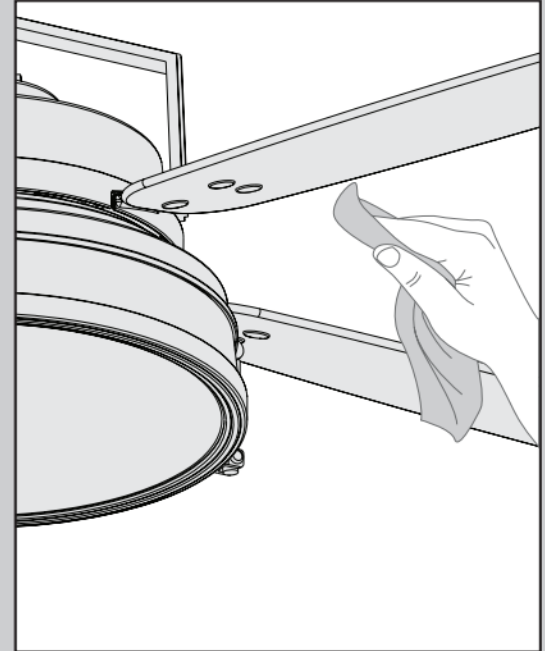
KEY PRESS	FUNCTION
<b>FAN FUNCTIONS</b>	
	Fan On/Off
	Fan Speed Control
Long Press 	Fan High
Long Press 	Fan Low
Long Press 	Fan Reverse
Long Press  + 	Fan Updraft
Long Press  + 	Fan Downdraft
	Power On/Off
Long Press  + 	Pair Function
Long Press 	Reset (For WiFi enabled fans ONLY)



Be sure to turn off power to the fan before performing any maintenance or relamping.



**Changing the bulbs** - carefully release the hammers holding the the globe to the fan. Remove the bulbs and replace them with bulbs of the same type and wattage. Reinstall the globe.



**Cleaning the fan** - use soft brushes or cloths to prevent scratching. Cleaning products may damage the finishes.



## Fan doesn't work

- Press a fan speed button UP button.
- Check the circuit breaker to ensure the power is turned on.
- Check the wall control battery.
- Make sure the blades spin freely.
- Turn off power from the circuit breaker, then loosen the canopy and check all the connections according to the wiring diagram.
- Check the plug connection in the switch housing.

## Noisy Operation

- Tighten the blade screws until they are snug.
- Check to see if any of the blades are cracked. If so, replace all of the blades.

## Excessive wobbling

- Tighten all of the blade screws until they are snug.
- Turn the power off, support the fan carefully, and check that the hanger ball is properly seated.
- Use the provided balancing kit and instructions to balance the fan.

## Lights dim when turned on or do not turn on at all.

- Make sure the wattage of the light bulbs installed matches the specifications on the light sockets (see page 20 for instructions on changing the bulbs).

## Remote does not work

- Make sure the battery is installed correctly.
- Install a new battery.
- If the remote still does not work, you may need to pair your remote. **To prevent faulty operation, please disconnect power (at the wall switch, breaker, or fan) from all other ceiling fans within range while pairing.** To pair: cycle power to the fan by turning power off and back on at the wall switch (or circuit breaker if necessary). Within three minutes, press and hold both the Fan and Light button for four seconds to pair the remote. If applicable, the fan will turn on and the lights will flash and stay on to indicate successful pairing.

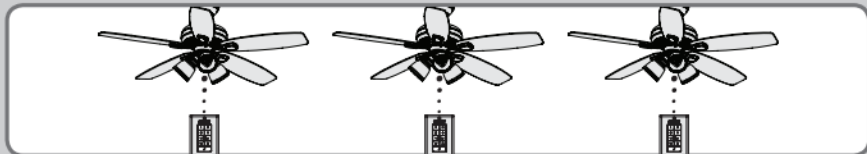
## LED lights will not dim

- To enable dimming, you must first set your remote to Dimming Mode. To toggle Dimming Mode on or off, long press the light up and down button together.

## AUTHORIZED SERVICE CENTERS

For the most updated list of Casablanca Authorized Service Centers, visit [www.CasablancaFanCo.com](http://www.CasablancaFanCo.com) or call toll free 1-888-227-2178.

## Installing Multiple Fans with Independently Operating Remote Controls



To install multiple fans with independently operating remote controls, **there is no need to perform any pairing procedures.** Each set of receiver/transmitter is already paired. Simply install each receiver into a fan and use the appropriate transmitter to operate each fan.

If your remote is not working, see the “Remote does not work” section on the previous page.

## Installing Multiple Fans Operating on a Single Remote Control



To have multiple fans operated by a single remote control, you must pair the transmitter to each additional receiver. The receiver that shipped with your fan is already paired to the transmitter.

**Note: To prevent faulty operation, you MUST disconnect power (at the wall switch, breaker, or fan) from all other ceiling fans within range while pairing each fan.**

For each additional fan, ensure that a compatible receiver is installed. Disconnect power from all other fans while pairing. To pair: cycle power to the fan by turning power off and back on at the wall switch (or circuit breaker if necessary). Within three minutes, longpress the fan on/off and light on/off buttons for four seconds to pair the remote. If applicable, the fan will turn on and the lights will flash and stay on to indicate successful pairing.

## Installing One Fan Operating on Multiple Remote Controls



To have multiple remote controls operate one fan, you must pair each additional transmitter to the receiver in the fan. The transmitter that shipped with your fan is already paired.

**Note: To prevent faulty operation, please disconnect power (at the wall switch, breaker, or fan) from all other ceiling fans within range while pairing.**

For each additional transmitter, cycle power to the fan by turning power off and back on at the wall switch (or circuit breaker if necessary). Within three minutes, longpress the fan on/off and light on/off buttons for four seconds to pair the remote. If applicable, the fan will turn on and the lights will flash and stay on to indicate successful pairing.

## “Unpairing” Procedure for Faulty Operation of Remote Controls



If a transmitter is mistakenly operating a fan, you need to “unpair” the transmitter from that fan’s receiver. The “unpairing” procedure is the same as the pairing procedure.

**Note: To prevent faulty operation, you MUST disconnect power (at the wall switch, breaker, or fan) from all other ceiling fans within range while “unpairing” a fan.**

Disconnect power from all other fans while “unpairing.” Then, cycle power to the fan you wish to “unpair” by turning power off and back on at the wall switch (or circuit breaker if necessary). Within three minutes, longpress the fan on/off and light on/off buttons for four seconds to pair the remote. If applicable, the fan will turn off and the lights will flash and turn off to indicate successful “unpairing.”