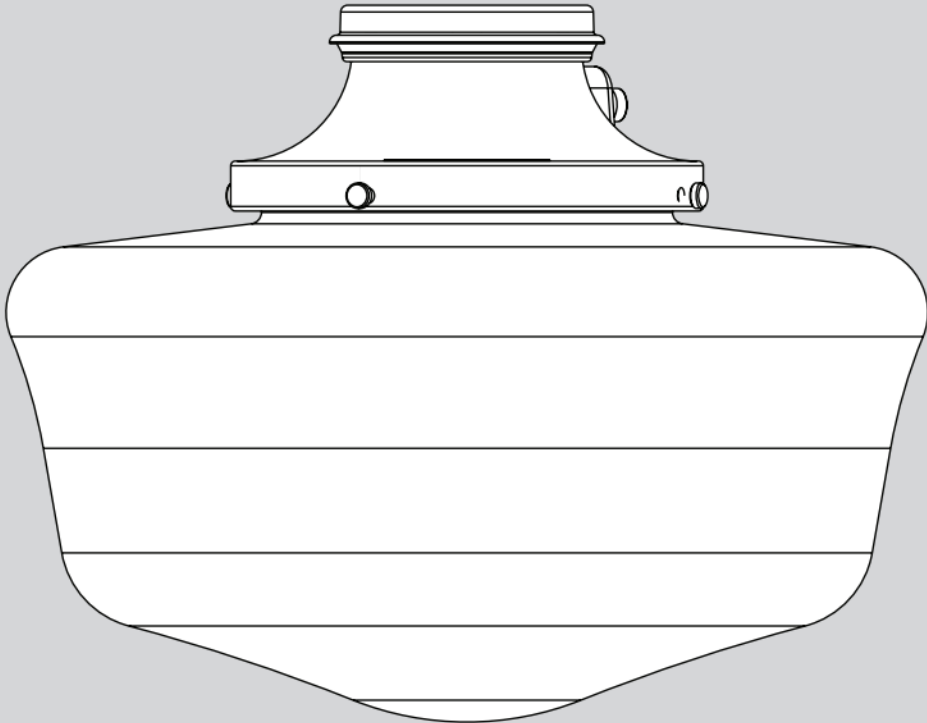


Traditional Globe Light Kit

Installation Manual



Models 99164, 99165, 99166

Compatible with:

2xxxx Types A - Z

51000-58999 fan series

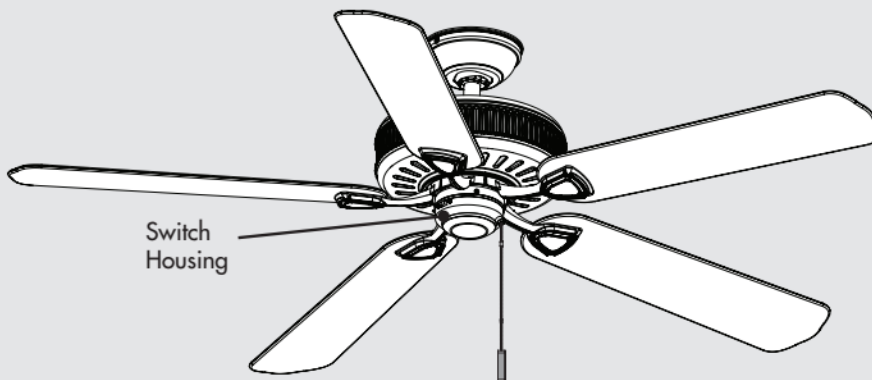
59500-59999 fan series

Select Casablanca Fans

MA022-01 • 03/07/14

BEFORE YOU BEGIN

Read entire installation instructions carefully before beginning installation and save these instructions.



Your light kit is compatible with most ceiling fans. The light kit will attach to the fan's switch housing. Begin on page 3 where you will choose the type of switch housing that most closely resembles the one on your fan. From there, you will be directed to the set of assembly instructions that are appropriate for installing the light kit to your fan.

READ AND SAVE THESE INSTRUCTIONS

This product conforms to UL Standard 507.

⚠ WARNINGS

w.1 - To reduce the risk of fire, electrical shock, or personal injury, mount fan directly from building structure and/or an outlet box marked acceptable for fan support of 70 lbs. (31.8 kg) and use the mounting screws provided with the outlet box.

w.2 - To avoid possible electrical shock, before installing or servicing your fan, disconnect the power by turning off the circuit breakers to the outlet box and associated wall switch location. If you cannot lock the circuit breakers in the off position, securely fasten a prominent warning device, such as a tag, to the service panel.

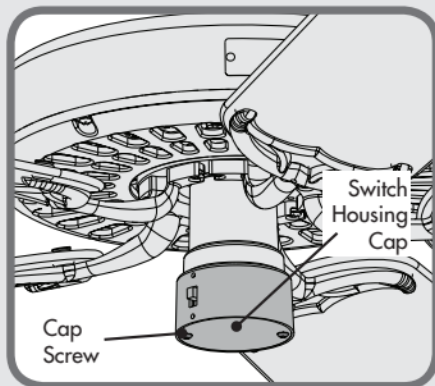
⚠ CAUTIONS

c.1 - All wiring must be in accordance with national and local electrical codes ANSI/NFPA 70. If you are unfamiliar with wiring, use a qualified electrician.

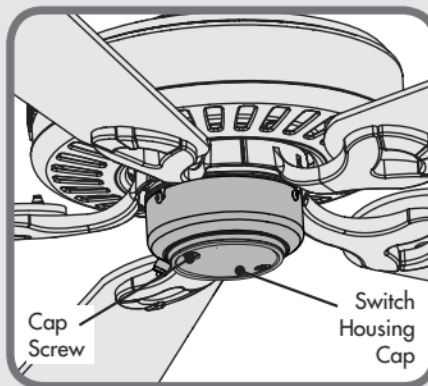


WHICH ASSEMBLY METHOD WILL I USE?

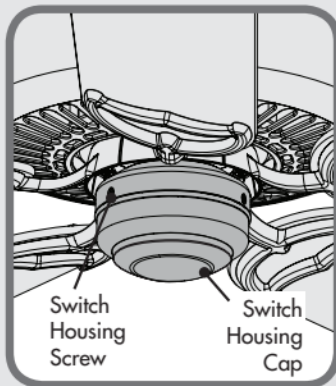
Choose one of the four images below that most closely resembles the switch housing on your fan; then follow the instructions under the image.



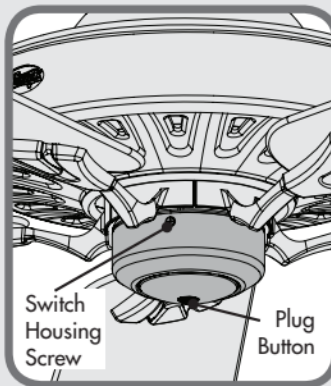
If you are installing this light kit onto a Hunter Original, remove the cap screw with a Phillips head screwdriver. Keep the screws. Remove the cap. Then follow the **TYPE-A ASSEMBLY INSTRUCTIONS** on pages 4-5.



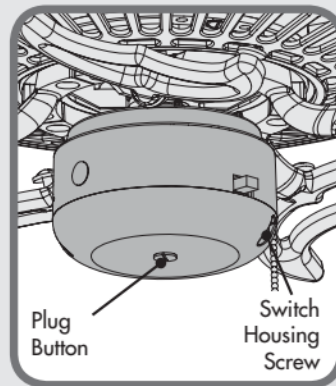
If your fan's switch housing cap resembles this one, remove the cap screws with a Phillips head screwdriver. Then follow the **TYPE-B ASSEMBLY INSTRUCTIONS** on pages 6-7.



If your fan's switch housing cap resembles this one, remove the whole switch housing by removing the switch housing screws with a Phillips head screwdriver. Remove the two cap screws from the inside of the switch housing. Reinstall the switch housing. Tighten the switch housing screws. Then follow the **TYPE-B ASSEMBLY INSTRUCTIONS** on pages 6-7.

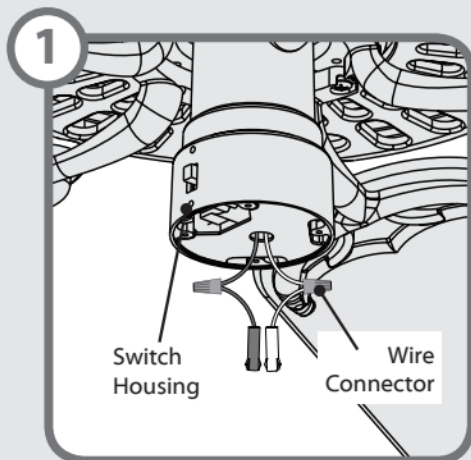


If your fan's switch housing cap resembles this one, remove the whole switch housing by removing the switch housing screws with a Phillips head screwdriver. Remove the plug button. Then follow the **TYPE-C ASSEMBLY INSTRUCTIONS** on pages 8-9.

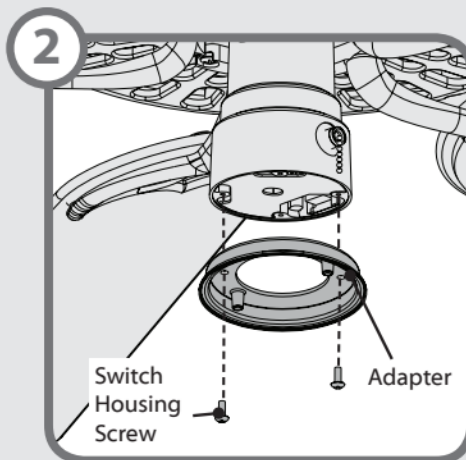


If your fan's switch housing cap resembles this one, remove the whole switch housing by removing the switch housing screws with a Phillips head screwdriver. Remove the plug button using a standard screwdriver. Then follow the **TYPE-D ASSEMBLY INSTRUCTIONS** on pages 10-11.

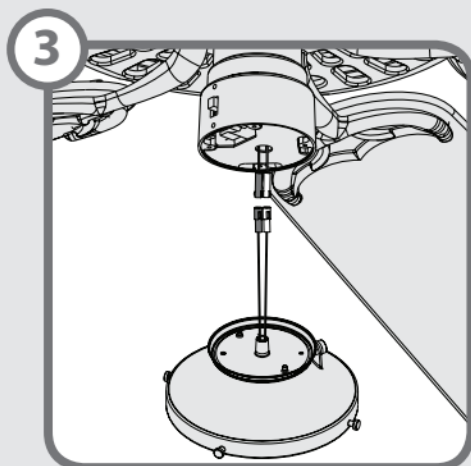
TYPE-A ASSEMBLY INSTRUCTIONS



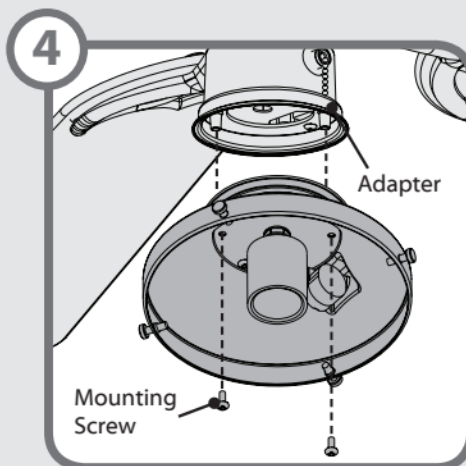
If your fan does not have pin connectors on the wires coming from the switch housing, install the wiring harness provided. Using the provided wire connectors connect the white wire from the fan to the white wire from the wire harness and connect the black or blue wire from the fan to the black wire from the wire harness.



Using the switch housing screws that you removed from the cap, install the adapter.



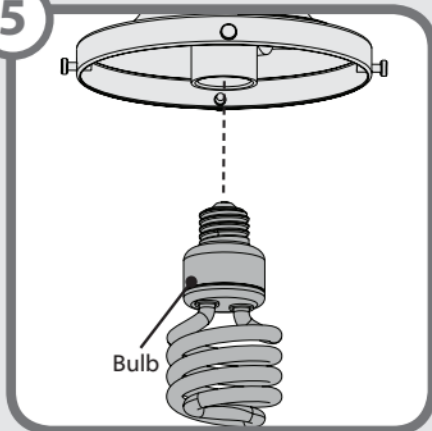
Using the single pin connectors, connect the black or blue wire from the fan to the black wire from the light kit. Connect the white wire from the fan to the white wire from the light kit.



Lift the light kit up to meet the lower switch housing. Using the mounting screws found in the hardware bag, install the light kit to the adapter.

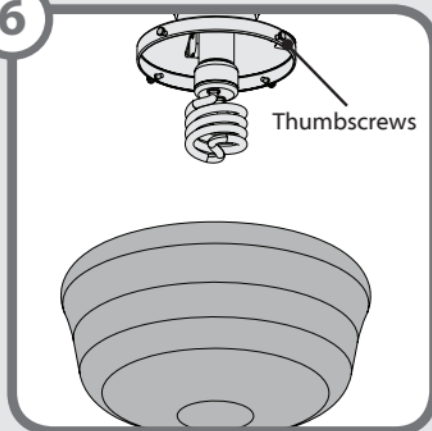
TYPE-A ASSEMBLY INSTRUCTIONS (CONTINUED)

5



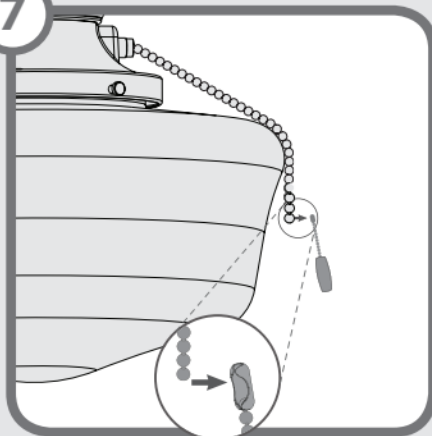
Install a bulb into each of the sockets. When necessary, replace with bulbs of the same wattage.

6



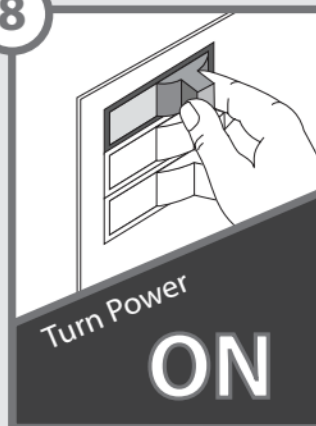
Installing the globe - To install the globe, first loosen the thumbscrews. Raise the globe to the light fixture. Tighten all thumbscrews securely.

7



Installing the pull chain pendant - Attach the pull chain pendant to the end of the short chains coming from the switch housing and the light kit.

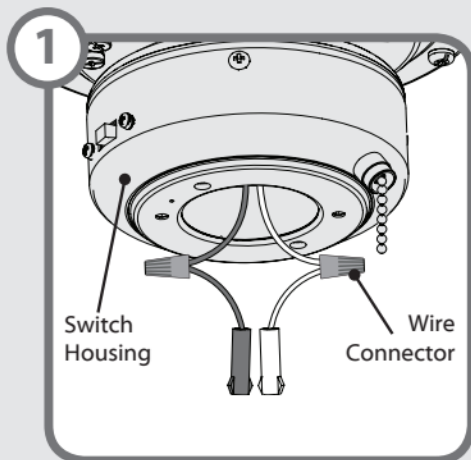
8



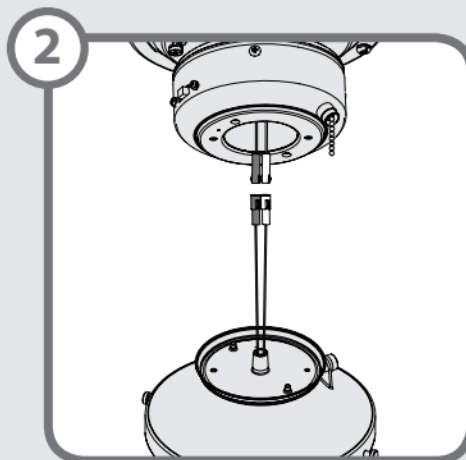
Turn Power
ON

Turn power on. Your installation is complete!

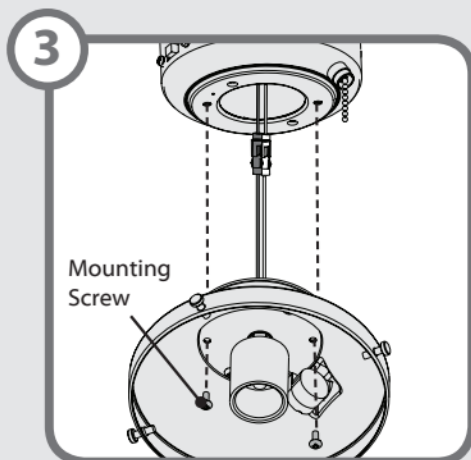
TYPE-B ASSEMBLY INSTRUCTIONS



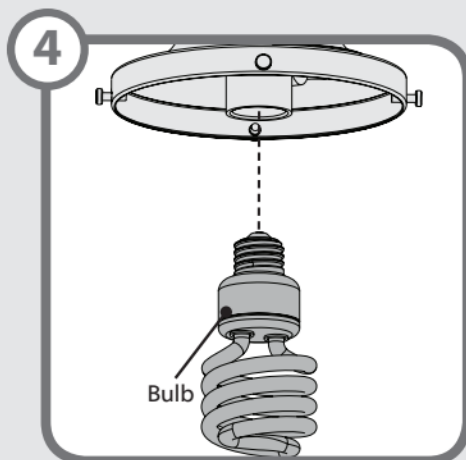
If your fan does not have pin connectors on the wires coming from the switch housing, install the wiring harness provided. Using the provided wire connectors connect the white wire from the fan to the white wire from the wire harness and connect the black or blue wire from the fan to the black wire from the wire harness.



Using the single pin connectors, connect the black or blue wire from the fan to the black wire from the light kit. Connect the white wire from the fan to the white wire from the light kit.



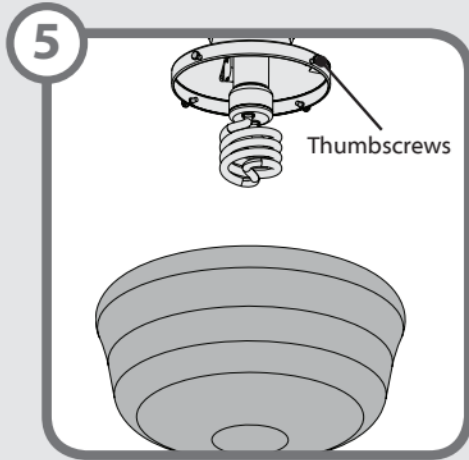
Lift the light kit up to meet the lower switch housing. Using the mounting screws found in the hardware bag, install the light kit to the adapter.



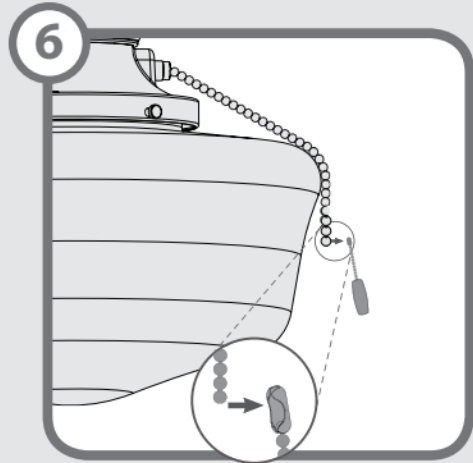
Install a bulb into each of the sockets. When necessary, replace with bulbs of the same wattage.



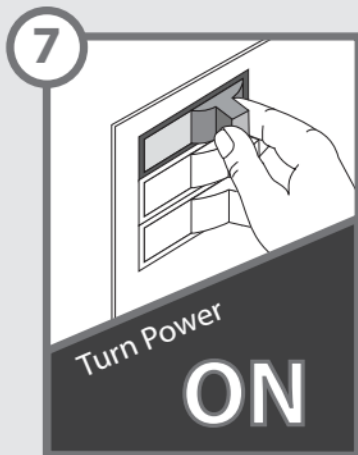
TYPE-B ASSEMBLY INSTRUCTIONS (CONTINUED)



Installing the globe - To install the globe, first loosen the thumbscrews. Raise the globe to the light fixture. Tighten all thumbscrews securely.



Installing the pull chain pendant - Attach the pull chain pendant to the end of the short chains coming from the switch housing and the light kit.



Turn power on. Your installation is complete!

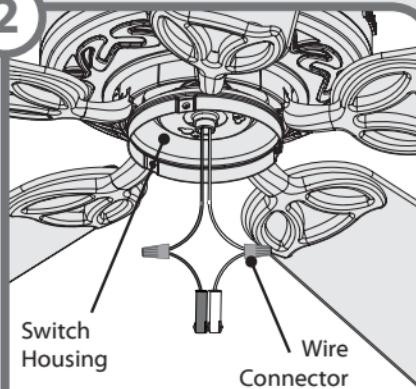
TYPE-C ASSEMBLY INSTRUCTIONS

1



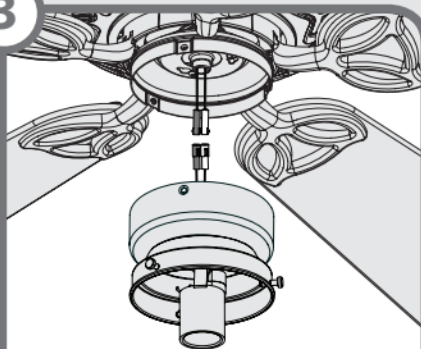
Feed the wires through the center hole in the switch housing, the washer, and the nut. Then install the switch housing by twisting clockwise onto the threaded rod. Install the washer and nut onto threaded rod and tighten securely.

2



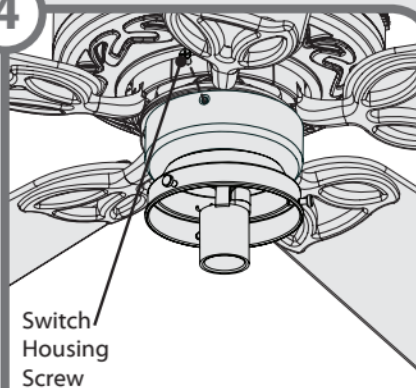
If your fan does not have pin connectors on the wires coming from the switch housing, install the wiring harness provided. Using the provided wire connectors connect the white wire from the fan to the white wire from the wire harness and connect the black or blue wire from the fan to the black wire from the wire harness.

3



Using the single pin connectors, connect the black or blue wire from the fan to the black wire from the light kit. Connect the white wire from the fan to the white wire from the light kit.

4

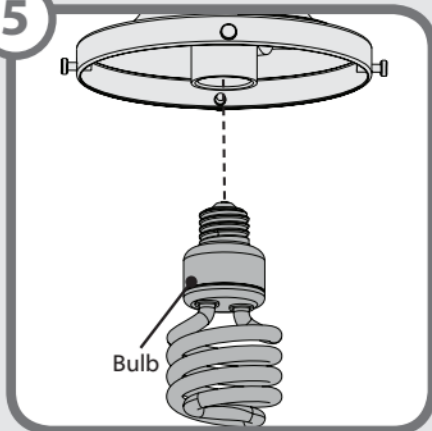


Lift the light kit assembly up so that the screw holes in the lower switch housing line up with the holes in the upper switch housing. Install the switch housing screws and tighten securely.



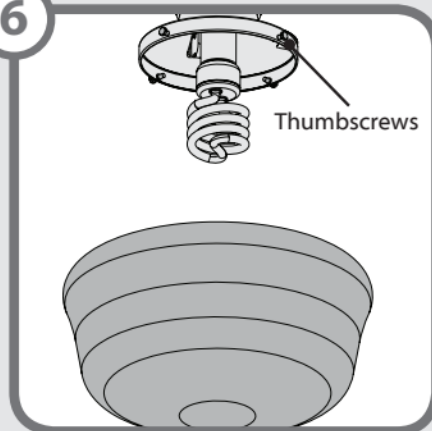
TYPE-C ASSEMBLY INSTRUCTIONS (CONTINUED)

5



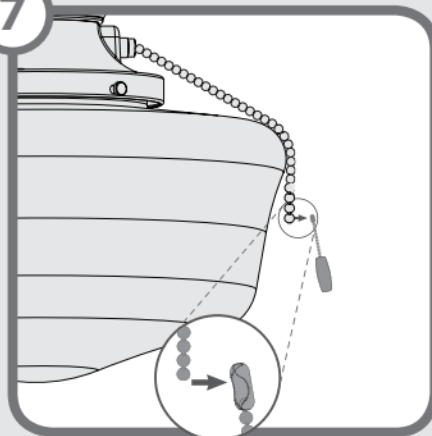
Install a bulb into each of the sockets. When necessary, replace with bulbs of the same wattage.

6



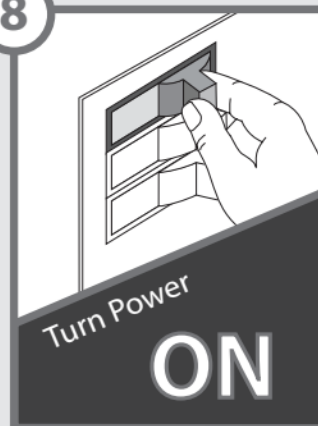
Installing the globe - To install the globe, first loosen the thumbscrews. Raise the globe to the light fixture. Tighten all thumbscrews securely.

7



Installing the pull chain pendant - Attach the pull chain pendant to the end of the short chains coming from the switch housing and the light kit.

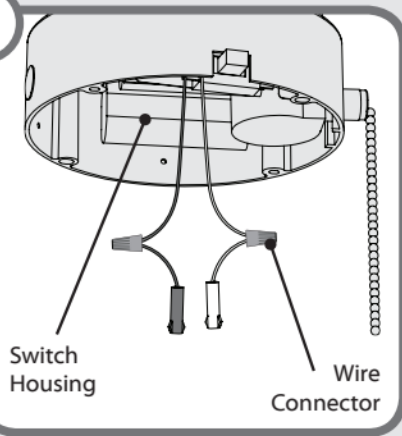
8



Turn power on. Your installation is complete!

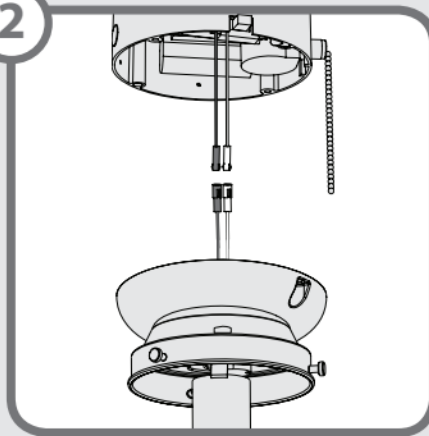
TYPE-D ASSEMBLY INSTRUCTIONS

1



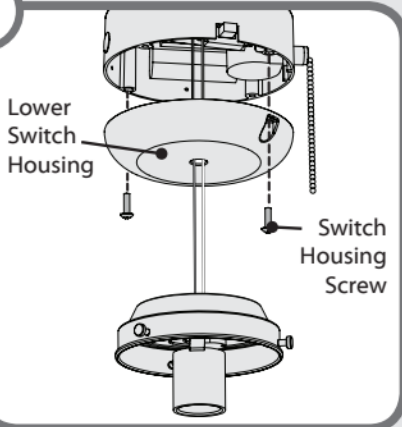
If your fan does not have pin connectors on the wires coming from the switch housing, install the wiring harness provided. Using the provided wire connectors connect the white wire from the fan to the white wire from the wire harness and connect the black or blue wire from the fan to the black wire from the wire harness.

2



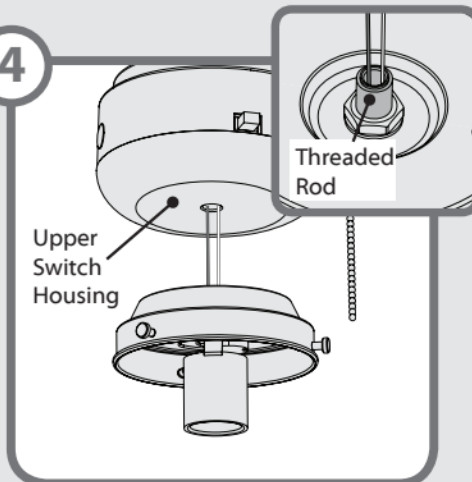
Feed the wires through the center hole in the switch housing. Then using the single pin connectors, connect the black or blue wire from the fan to the black wire from the light kit. Connect the white wire from the fan to the white wire from the light kit.

3



Lift the lower switch housing up so that the screw holes line up with the holes in the upper switch housing. Install the switch housing screws and tighten securely.

4

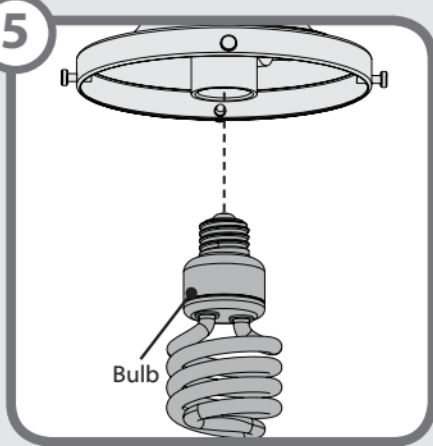


Lift the light kit up, tucking the wires into the hole in the switch housing. Install the center stem of the light kit into the lower switch housing by turning the threaded rod clockwise into the threaded hole. Continue turning until tight.

Do not allow the light kit to hang only by the wire connections!

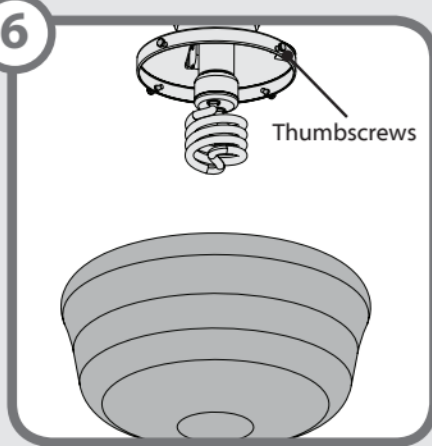
TYPE-D ASSEMBLY INSTRUCTIONS (CONTINUED)

5



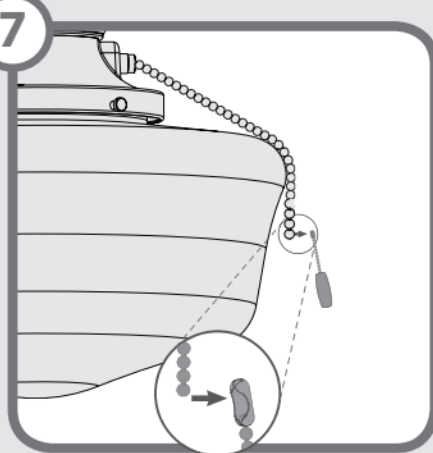
Install a bulb into each of the sockets. When necessary, replace with bulbs of the same wattage.

6



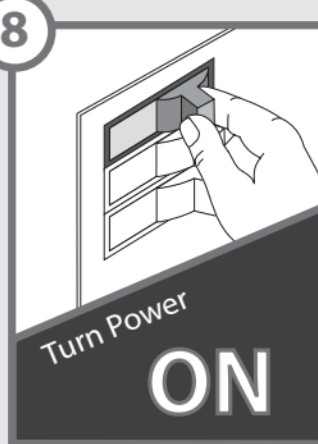
Installing the globe - To install the globe, first loosen the thumbscrews. Raise the globe to the light fixture. Tighten all thumbscrews securely.

7



Installing the pull chain pendant - Attach the pull chain pendant to the end of the short chains coming from the switch housing and the light kit.

8



Turn power on. Your installation is complete!

TROUBLESHOOTING

Lights don't come on.

- Make sure that the bulbs are properly installed.
- Make sure power switch is on.
- Pull the pull chain to make sure it is on.
- Check the circuit breaker to ensure the power is turned on.
- Check the pin connections in the light kit.
- Refer to the fan manual for locating the fan's wiring. Verify that the light and power wires are correctly connected to the ceiling and the light kit.

2-YEAR ENERGY STAR LIGHT KIT WARRANTY

The Hunter Fan Company/Casablanca Fan Company makes the following warranty to the original user or consumer purchaser of each Hunter/Casablanca Energy Efficient Light Kit:

If your Hunter/Casablanca Energy Efficient Light Kit fails at any time within two years after the date of sale due to a defect in material or workmanship, labor to repair the defect will be provided free of charge at our nearest service center or our service department in Memphis, TN. You will be responsible for all labor costs after this two-year period.

This warranty is voided if this product is not purchased in the U.S.A. or Canada.

This warranty excludes and does not cover defects, malfunctions or failures of any product which were caused by repairs by persons not authorized by us, use of parts or accessories not authorized by us, mishandling, improper installation, modifications or damage to the light fixture while in your possession, or unreasonable use, including failure to provide reasonable and necessary maintenance. IN NO EVENT SHALL HUNTER FAN COMPANY BE LIABLE FOR CONSEQUENTIAL OR INCIDENTAL DAMAGES. SOME STATES DO NOT ALLOW LIMITATION ON HOW LONG AN IMPLIED WARRANTY LASTS OR THE EXCLUSION OR LIMITATION OF INCIDENTAL OR CONSEQUENTIAL DAMAGES SO THE ABOVE LIMITATION OR EXCLUSIONS MAY NOT APPLY TO YOU. THIS WARRANTY GIVES YOU SPECIFIC LEGAL RIGHTS, AND YOU MAY ALSO HAVE OTHER RIGHTS THAT VARY FROM STATE TO STATE.



If you have problems installing or operating your light kit, do not return this product to the dealer. Call our Consumer Affairs Hotline.

888-830-1326