



## Lochemeade 5 Light Medium Chandelier

For Models: 49080, 49081, 49082 Fixture weight  $\pm 2$  lbs: 4.85 kg / 10.7 lbs

# Installation and Care Guide

Questions, problems, missing parts?

Before returning to the store, call Hunter Fan Company Customer Service

Mon - Fri 8AM to 6PM CST | Sat 11AM to 5PM CST

1.888.830.1326

<https://support.hunterfan.com> | email: [customer care@hunterfan.com](mailto:customer care@hunterfan.com)



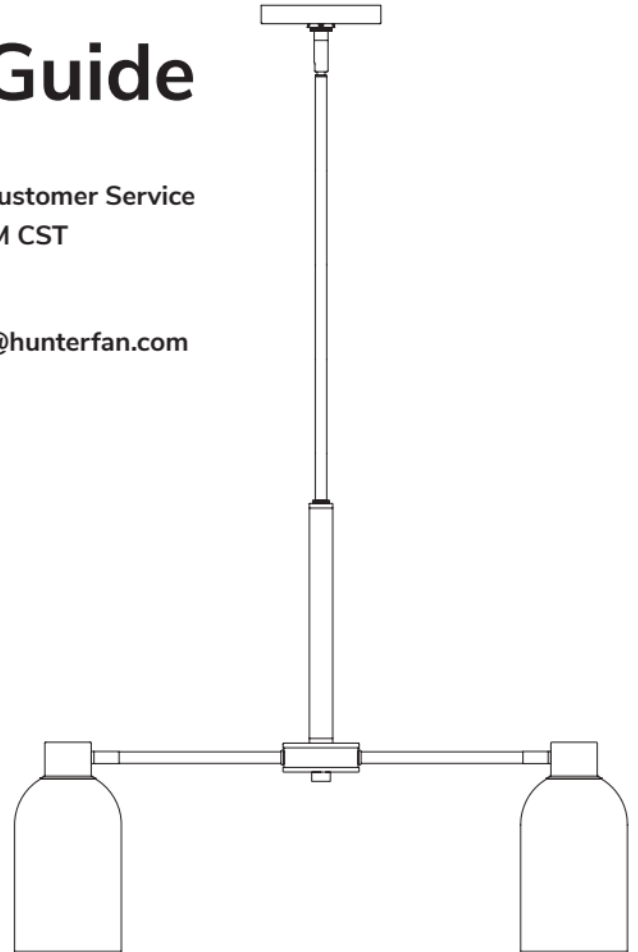
Intertek

### ATTACH YOUR RECEIPT HERE

Proof of purchase is required when requesting warranty service. The original purchaser must present a sales receipt or other document that establishes proof of purchase.

Model Number: \_\_\_\_\_

Purchase Date: \_\_\_\_\_



Distributed by:  
Costco Wholesale Corporation  
P.O. Box 34535  
Seattle, WA 98124-1535  
USA  
1-800-774-2678  
[www.costco.com](http://www.costco.com)

## Activate your warranty. Register now!

49080 - Brushed Nickel  
49081 - Matte Black  
49082 - Alturas Gold



**Step 1:** Scan QR code with smart phone or tablet

**Step 2:** Follow on screen instructions

**Step 3:** Register your product

Don't have a camera?



Register online  
[register.hunterfan.com](http://register.hunterfan.com)

# Table of Contents

Safety Information.....	2	Tools Needed .....	3
Warranty .....	2	Preparing for Installation.....	4
Proof of Purchase .....	2	Assembling the Fixture.....	5
What is Covered .....	2	Wiring the Fixture .....	6
What is Not Covered .....	2	Installing the Fixture .....	7
State Laws.....	2	Finishing Touches.....	7
Getting Started .....	3	Cleaning and Care.....	8
Unboxing .....	3	Troubleshooting .....	8
What's Included.....	3	Service Parts.....	8

## Safety Information

### READ AND SAVE THESE INSTRUCTIONS



These instructions are provided for your safety. It is very important that they are read carefully and completely before beginning installation of the lighting fixture. This product complies with UL 1598 standard for luminaires.

- To avoid possible electrical shock, before installing your light fixture, disconnect the power by turning off the circuit breakers to the outlet box associated with the wall switch location.
- The lighting fixture must be grounded. If the ground wire for the installation site is not present, immediately STOP installation and consult a qualified electrician.
- All wiring must be in accordance with national and local electrical codes ANSI/NFPA 70. If you are unfamiliar with wiring or in doubt, consult a qualified electrician.

## Warranty

Hunter Fan Company grants this limited warranty to the original purchaser of this Hunter lighting product. This document can be found at [www.HunterFan.com](http://www.HunterFan.com). Thank you for choosing Hunter!

### How Can Warranty Service Be Obtained?

Proof of purchase is required when requesting warranty service. The original purchaser must present a sales receipt or other document that establishes proof of purchase. Hunter, at its sole discretion, may accept a gift receipt. To obtain service, contact Hunter Fan Company online or by phone. [www.HunterFan.com/Support/Contact-Us/](http://www.HunterFan.com/Support/Contact-Us/) 1.888.830.1326

Please do not ship your light or any lighting parts to Hunter. Delivery will be refused.

### What Does This Warranty Cover?

#### One-Year Limited Warranty

If any part of your Hunter lighting product fails at any time within one year of the date of purchase due to a defect in material or workmanship, as determined solely by Hunter, Hunter will provide a replacement part or product free of charge. If no replacement product/part can be provided for your lighting product, we will provide a comparable or superior replacement product/part at the sole discretion of Hunter.

### What Does This Warranty NOT Cover?

Labor Excluded. This warranty does not cover any costs or fees associated with the labor (including electrician's fees) required to install, remove, or replace a lighting product or its parts.

There is no warranty for light bulbs; remote control batteries; lighting products purchased or installed outside the United States; lighting products owned by someone other than the original purchaser; lighting products for which proof of purchase has not been established; lighting products purchased from an unauthorized dealer; ordinary wear and tear; minor cosmetic blemishes; refurbished lighting products; and lighting products that are damaged due to any of the following: improper installation, misuse, abuse, improper care, failure to follow Hunter instructions, accidental damage caused by the owner or related parties, modifications to the lighting product, improper or incorrectly performed maintenance or repair, improper voltage supply or power surge, use of improper parts or accessories, failure to provide maintenance to the lighting product, or acts of God (e.g. flood).

ORIGINAL PURCHASER'S SOLE AND EXCLUSIVE REMEDY FOR A CLAIM OF ANY KIND WITH RESPECT TO THIS PRODUCT SHALL BE THE REMEDIES SET FORTH HEREIN. HUNTER FAN COMPANY IS NOT RESPONSIBLE FOR CONSEQUENTIAL OR INCIDENTAL DAMAGES, DUE TO PRODUCT FAILURE, WHETHER ARISING OUT OF BREACH OF WARRANTY, BREACH OF CONTRACT, OR OTHERWISE. Some States do not allow the exclusion or limitation of incidental or consequential damages, so the above limitation or exclusion may not apply to you.

ANY IMPLIED WARRANTIES OF MERCHANTABILITY OR FITNESS FOR A PARTICULAR PURPOSE APPLICABLE TO THIS PRODUCT ARE LIMITED IN DURATION TO THE PERIOD OF COVERAGE OF THE APPLICABLE LIMITED WARRANTIES SET FORTH ABOVE. Some States do not allow limitations on how long an implied warranty lasts, so the above limitation may not apply to you.

### How Does State Law Affect Warranty Coverage?

This warranty gives you specific legal rights. You may also have other rights which vary from state to state.

## Getting Started

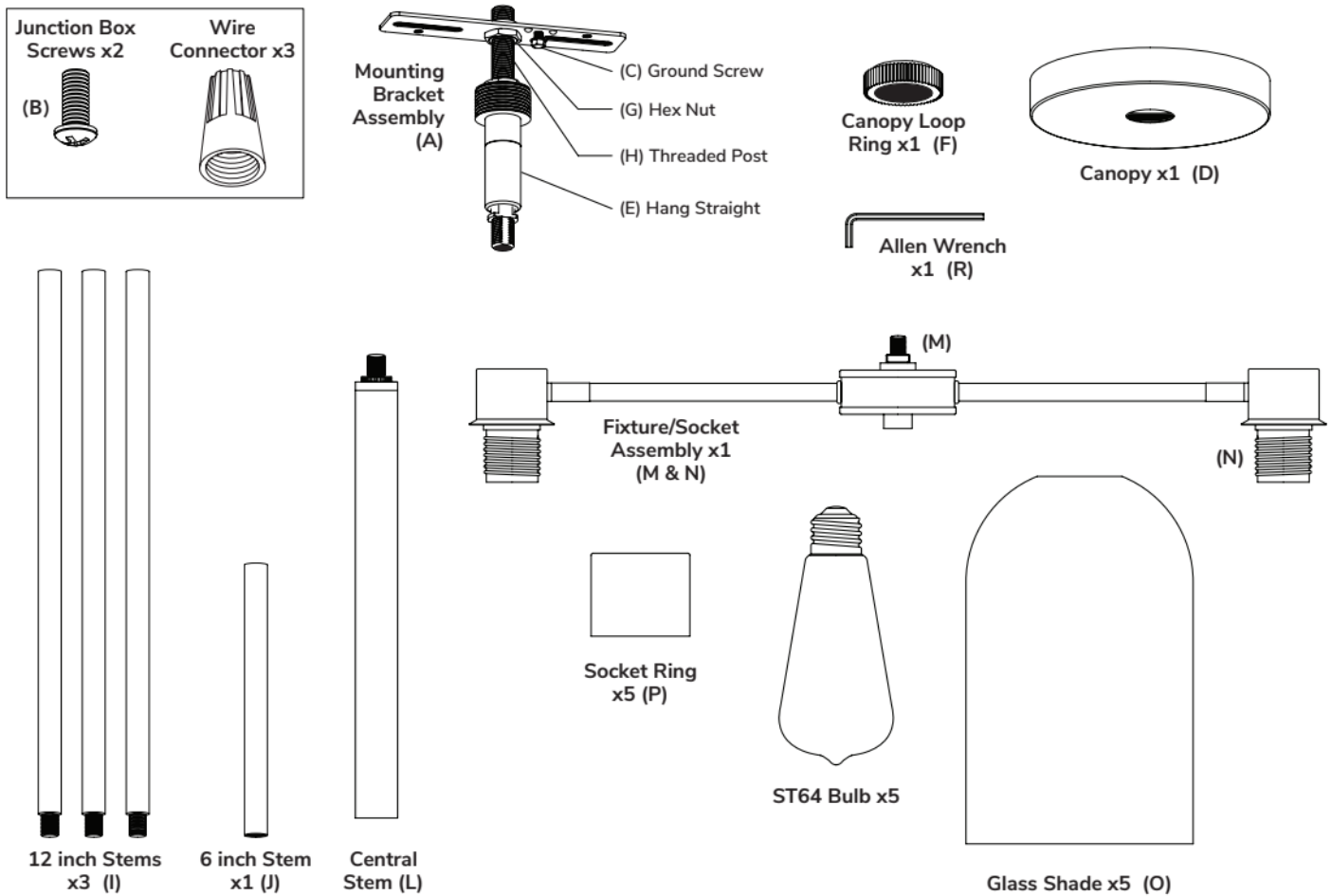
**Read all instructions before assembly.**

### Unboxing

- Carefully remove all contents from the carton and place on a clean, soft, non-abrasive surface (carpet or cardboard) to avoid damage to the product.
- Before discarding the carton, double check packing to make sure that all parts are included. Compare to the chart below for included parts. Inspect each part for defects that may have occurred during shipping.
- Keep your receipt and these instructions for proof of purchase.
- Shut off the power at the circuit breaker and completely remove the old fixture from the ceiling, including the old mounting bracket.
- If there is no ground wire from the junction box, contact a qualified electrician.

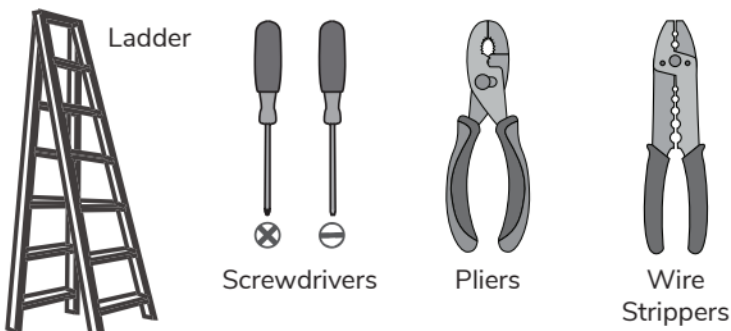
### What's Included?

Note: Included items not shown to scale.



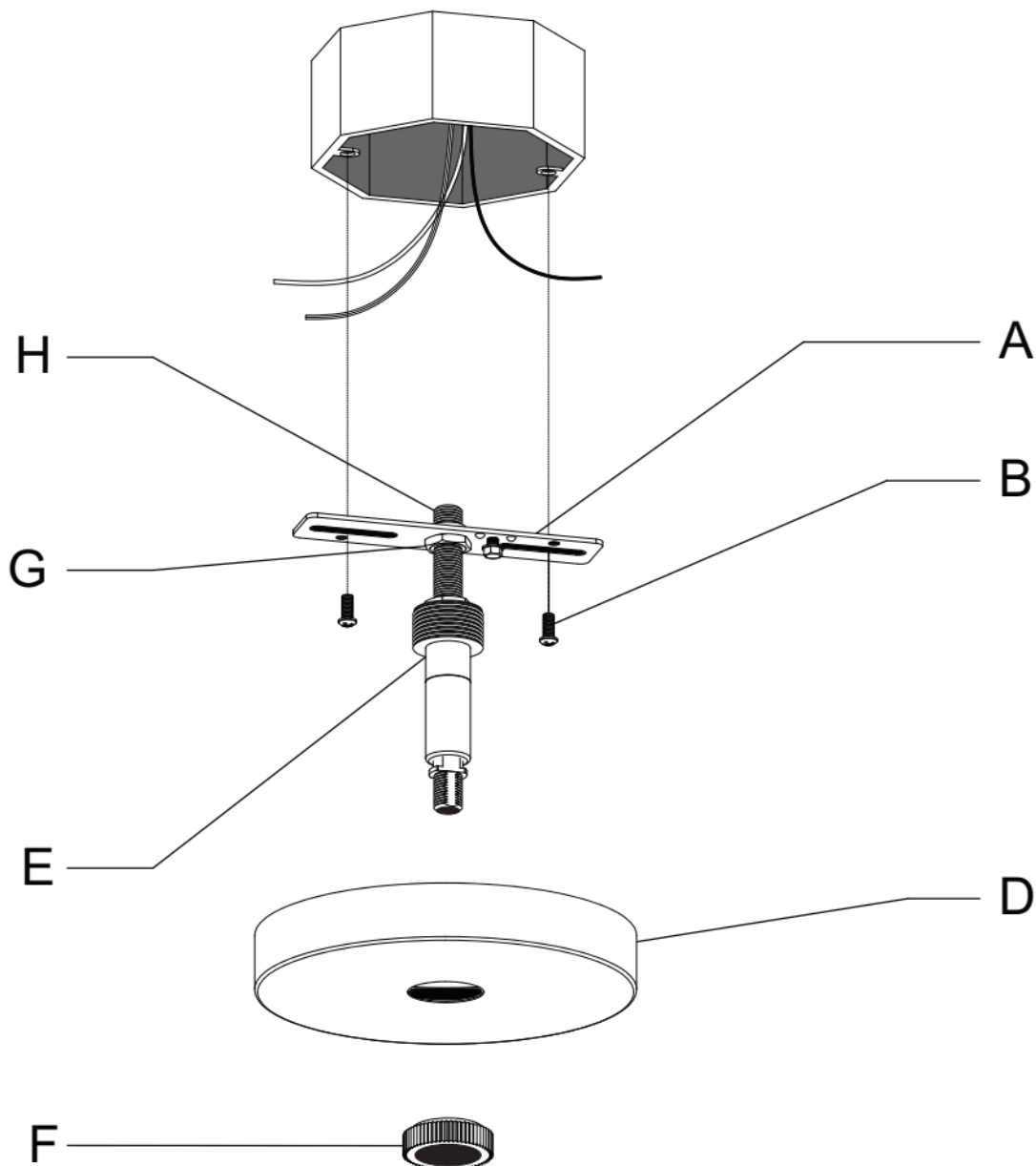
### Tools Needed

Here are the tools you'll need to complete your installation (not included):



## Preparing for Installation

- 1.** Shut off the power at the circuit breaker and completely remove the old fixture from the ceiling, including the old mounting bracket. If there is no ground wire from the junction box, contact a qualified electrician.
- 2.** Remove the pre-assembled canopy loop ring (F) from the mounting bracket assembly (A).
- 3.** Securely attach the mounting bracket assembly (A) to the junction box by tightening the mounting screws (B) into the designated holes.
- 4.** Temporarily attach the canopy (D) to the hang straight (E) on the mounting bracket assembly (A) by securing it with the canopy loop ring (F).
- 5.** If the canopy is not snug against the ceiling, remove it from the mounting bracket assembly (A) and adjust the length of the pre-assembled threaded post (H) by loosening the pre-assembled hex nut (G).
- 6.** Screw the threaded post (H) in or out of the mounting bracket until the correct length is achieved testing with the canopy as needed.
- 7.** Remove the canopy and tighten hex nut (G) to secure the position of threaded post (H).
- 8.** Remove the mounting bracket assembly (A) from the junction box and set aside for later use.



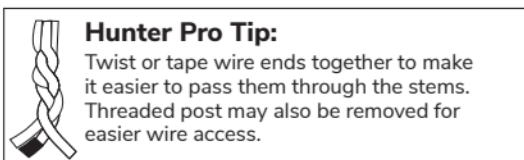
## Assembling the Fixture

This fixture is supplied with a 4-piece stem assembly. There is one 6-inch section (J) and three 12-inch sections (I). A minimum of one stem must be used.

**1.** Determine the desired fixture height and set aside the correct number of stem sections to achieve that height. The stem section that will attach to fixture may need to have threaded post removed.

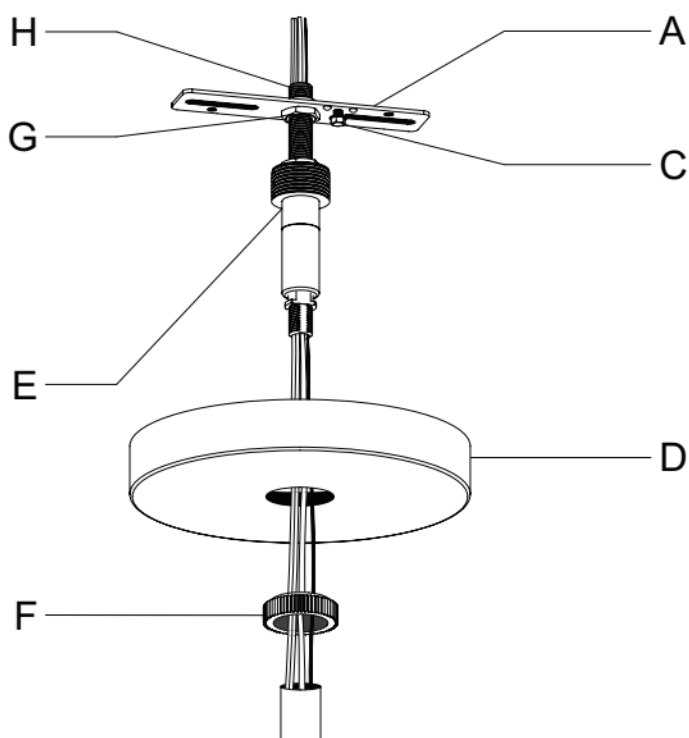
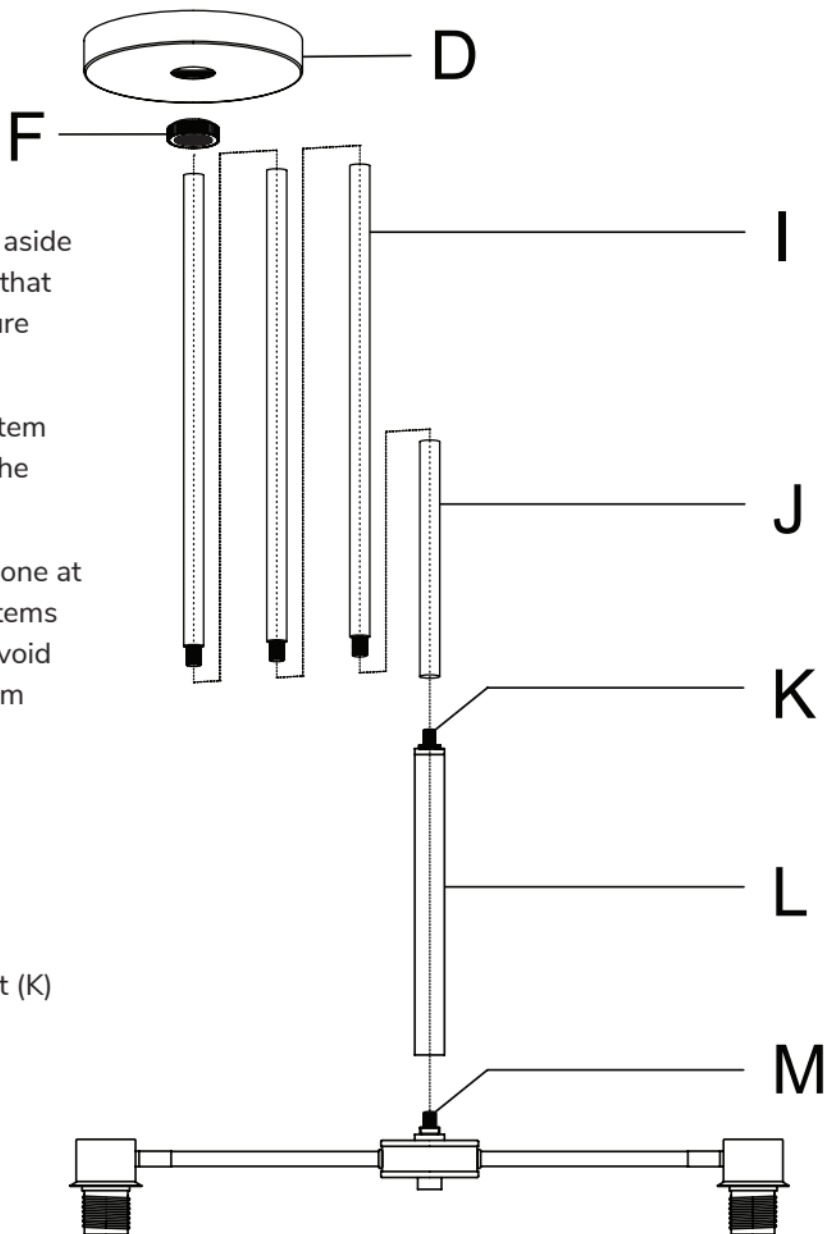
**2.** Thread the wires through the large central stem (L) and screw it onto threads (M) at the top of the fixture.

**3.** Thread the wires through the stem sections one at a time, remove any slack, and then screw the stems together. Ensure all threads are engaged, but avoid overtightening; manual straightening of the stem sections may be necessary.



**4.** Attach the bottom stem to the threaded post (K) on the top of the central fixture stem (L).

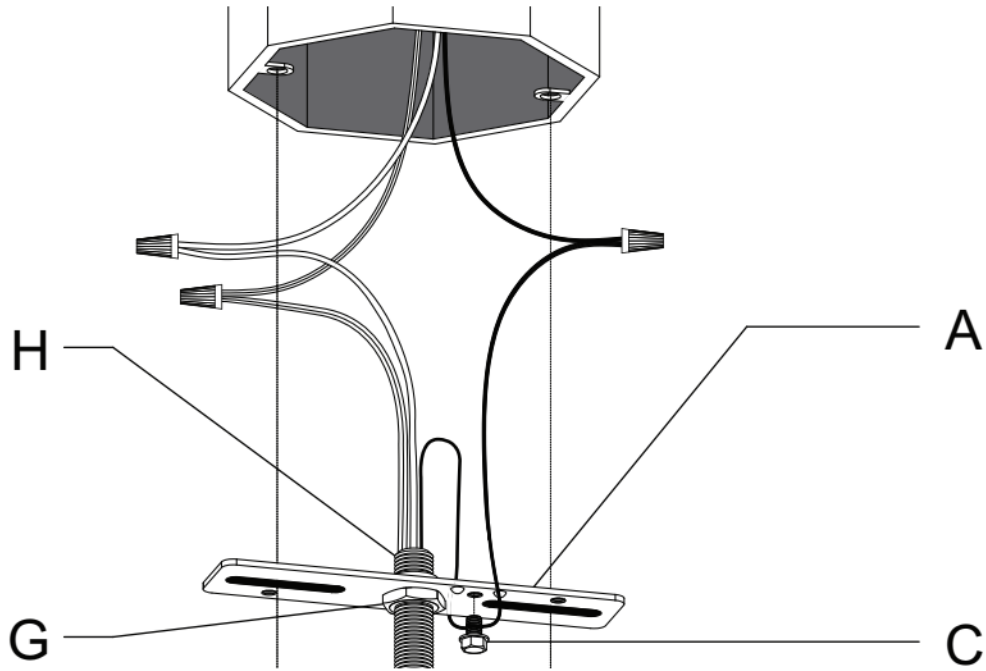
**5.** Carefully slide the canopy loop ring (F) and the canopy (D) over the stems to rest on top of the fixture.



**6.** Thread the wires through the mounting bracket assembly (A) and attach the top stem to the hang straight (E). Trim the excess fixture wire leaving a minimum of 6 inches above the mounting bracket assembly.

## Wiring the Fixture

**1.** Have a helper support the weight of the fixture. Wrap the fixture's bare copper ground wire around the green ground screw (C) on the mounting bracket assembly (A) and tighten the ground screw.



**2.** Connect the fixture ground wire to the green or bare or green & yellow house ground wire using a wire connector. Ensure all wire ends are twisted together and then secure with a wire connector, ensuring consistent twisting direction. Give the wire connector a gentle tug to confirm its secure connection.

**3.** Connect the black or smooth fixture wire to the black or red or blue house wire using a wire connector. Refer to the wire connection method in step 2.

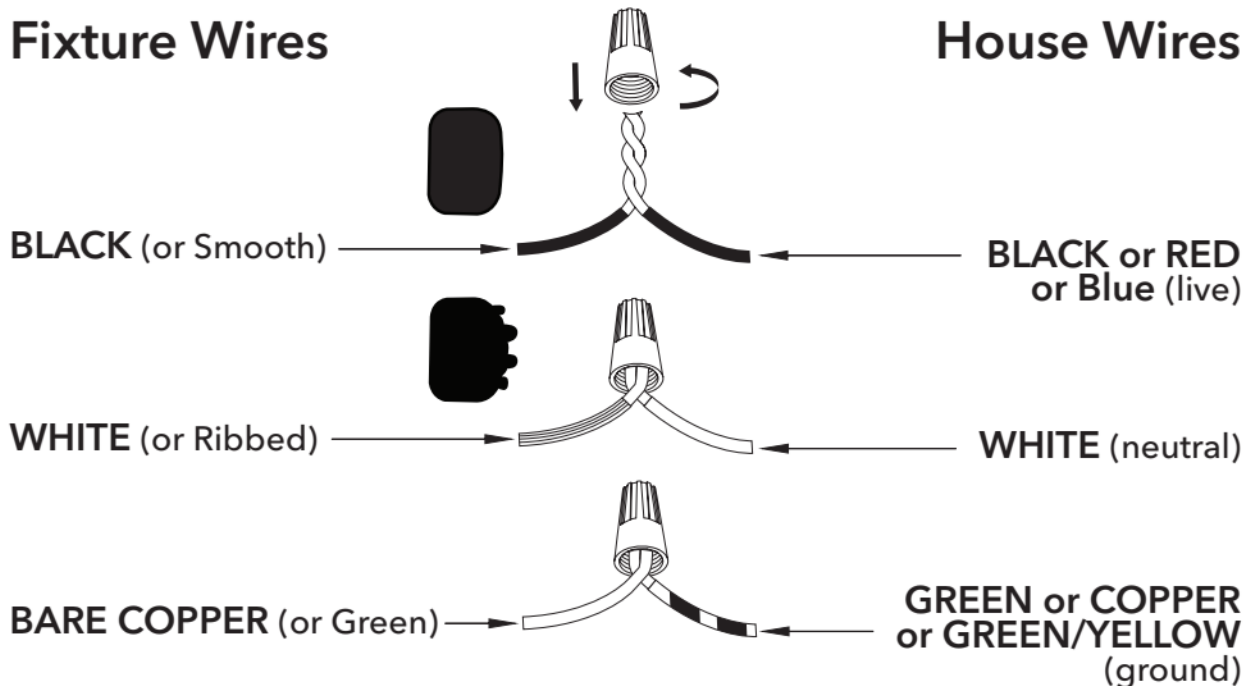
**4.** Connect the white or ribbed fixture wire to the white house wire using a wire connector. Refer to the wire connection method in step 2.

### Hunter Pro Tip:

If the fixture wires were trimmed, you might need to separate the smooth and ribbed sides approximately 3 inches from the ends. Use wire strippers (not included) to remove the insulation from the last half inch of each wire.

### Fixture Wires

### House Wires



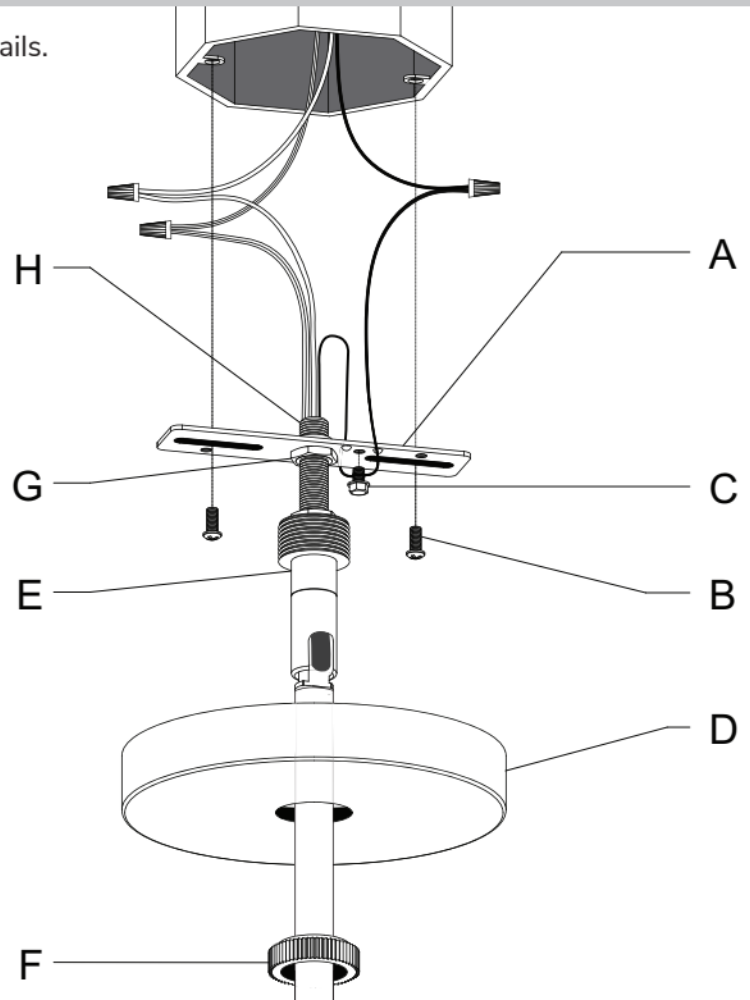
## Installing the Fixture

Sloped ceiling? See Hunter Pro Tip below for more details.

1. Securely attach the mounting bracket assembly (A) to the junction box by tightening the mounting screws (B) into the designated holes.
2. Carefully slide the canopy (D) and canopy loop ring (F) up to the ceiling and tightly screw the canopy loop ring (F) onto the threads of the hang straight (E).

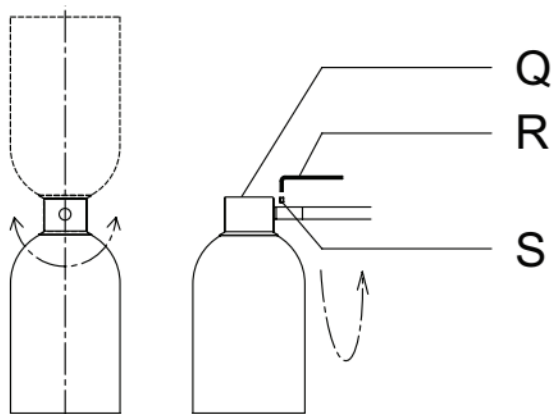
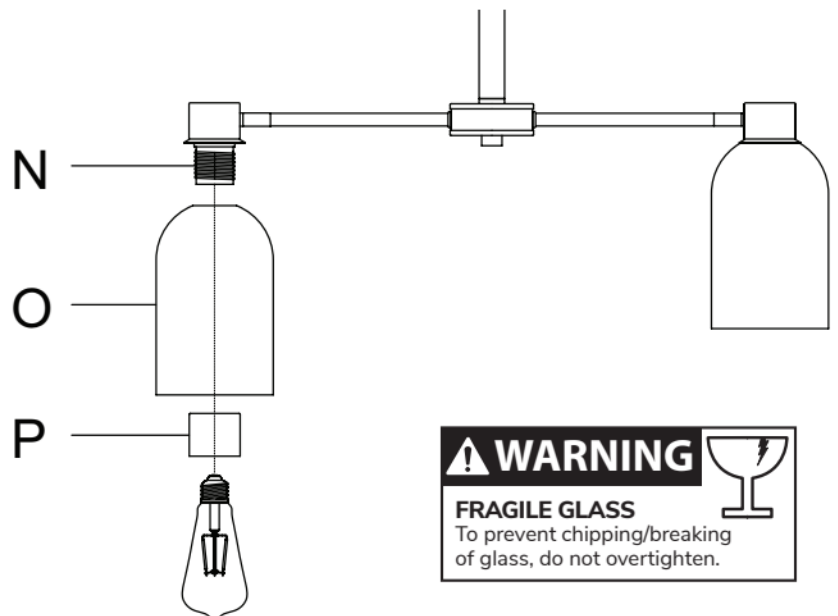
### Hunter Pro Tip:

When installing on a sloped ceiling, ensure that the notched side of the hang straight (E) faces away from the peak of the ceiling; twist into place if necessary. After securing the fixture to the junction box, firmly grasp the rods with both hands and gently pull towards the notch until the fixture reaches the desired angle.



## Finishing Touches

1. Carefully (to prevent damage) raise each glass shade (O) up over the socket (N) and secure the glass by screwing the socket ring (P) over the external threads of socket (N). To prevent chipping/breaking of glass, do not overtighten the socket ring (P).
2. Your installation is now finished. Install the included bulbs, turn on the power at the circuit breaker, and test the fixture.



To adjust the direction of the sockets, see the steps below.

1. Using the included allen wrench (R), loosen the set screw (S) on the top side of the fixture arm just behind the socket (Q).
2. Rotate the socket (Q) at the end of the arm and tighten the set screw (S) with allen wrench (R).

## Cleaning & Care of the Fixture

Handle the fixture with care! Regular cleaning minimizes the need for deep cleaning. To clean regularly, turn off the light and wipe down the fixture using a clean, lint-free cotton or microfiber cloth. Avoid spraying cleaner directly onto the fixture.

## Troubleshooting

Problem	Possible Cause	Solution
The bulb(s) will not light.	The bulb is burned out.	Replace the light bulb.
	The power is off.	Ensure the power supply is turned on.
	There is a faulty switch.	Test or replace the switch.
	There is a faulty wire connection.	Check the wiring.
The fuse blows or the circuit breaker trips when the light is turned on.	There are crossed wires, or the power wire is grounding out.	Discontinue use of the light. Check the wire connections. Contact a qualified electrician or call the Customer Care Service Team at 1.888.830.1326.

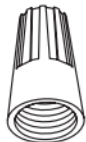
## Service Parts

Something missing or broken? Please contact Hunter Fan Company Customer Service.  
1.888.830.1326 Mon. - Fri. 8am - 6pm CST, Sat. 11am - 5pm CST

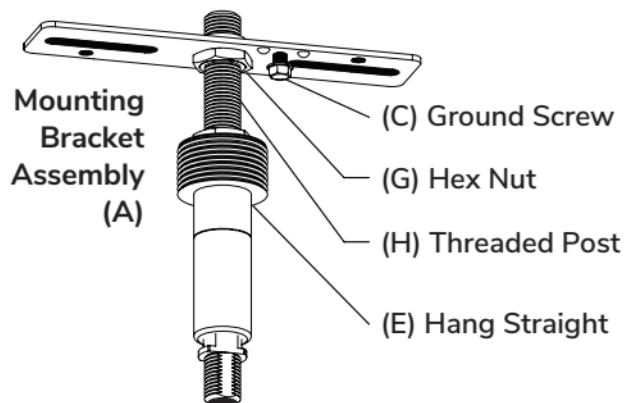
Junction Box  
Screws x2



Wire  
Connector x3



Canopy Loop  
Ring x1 (F)



### Hardware Service Kit

Part #	Model	Finish
KC02902895	49081	Matte Black
KC02901214	49080	Brushed Nickel
KC02901L79	49082	Alturas Gold

### Glass Shade

Part #	Model	Type
KG24701147	49080	Clear
	49081	
	49082	

# Hunter®

Lochemeade

Lámpara Tipo Araña Mediana, de 5 Focos

Para los Modelos: 49080, 49081, 49082 Peso ±2 lbs: 4.85 kg / 10.7 lbs

## Guía de Instalación y Cuidados

¿Preguntas, problemas, piezas faltantes?

Antes de regresar a la tienda, llame al servicio de atención al Cliente de Hunter Fan Company.

Lunes a viernes de 8 a.m. a 6 p.m., Hora Estándar Central

Sábado de 11 a.m. a 5 p.m., Hora Estándar Central

1.888.830.1326

<https://support.hunterfan.com> | correo electrónico: [customercare@hunterfan.com](mailto:customercare@hunterfan.com)



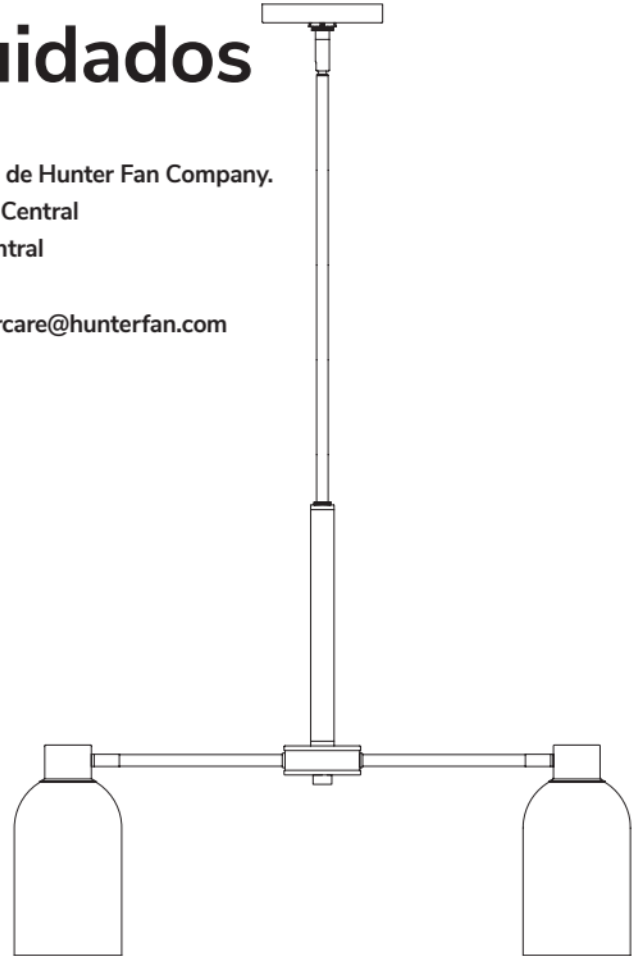
Intertek

### ADJUNTE SU RECIBO AQUÍ

Se requiere una prueba de su compra al solicitar un servicio de garantía. El comprador original debe presentar un recibo de compra u otro documento que compruebe su compra.

Número de modelo: \_\_\_\_\_

Fecha de compra: \_\_\_\_\_



Importado por:

Costco Wholesale Corporation

P.O. Box 34535

Seattle, WA 98124-1535

USA

1-800-774-2678

[www.costco.com](http://www.costco.com)

## Activa tu garantía. ¡Regístrate ahora!

49080 - Níquel Pulido

49081 - Negro Mate

49082 - Alturas Gold



**Paso 1:** Escanee el código QR con su teléfono celular o tableta

**Paso 2:** Siga las instrucciones que aparecen en pantalla

**Paso 3:** Registre su producto

¿No tienes cámara?



Por internet  
[register.hunterfan.com](http://register.hunterfan.com)

## Tabla de Contenido

Información de Seguridad .....	2	Herramientas Necesarias .....	3
Garantía .....	2	Preparación para la Instalación .....	4
Comprobante de Compra .....	2	Ensamblaje de la Lámpara.....	5
Qué Cubre esta Garantía .....	2	Cableado de la Lámpara.....	6
Qué No está Cubierto .....	2	Instalación de la Lámpara .....	7
Leyes Estatales.....	2	Toques Finales.....	7
Pasos Iniciales .....	3	Limpieza y Cuidados .....	8
Desembalaje.....	3	Localización de Fallas.....	8
Qué está Incluido .....	3	Partes de Repuesto .....	8

## Información de Seguridad

### LEA Y GUARDE ESTAS INSTRUCCIONES



Estas instrucciones se proporcionan para su seguridad. Es muy importante leerlas detenidamente y completamente antes de comenzar la instalación de la lámpara. Este producto cumple con la norma UL 1598 para lámparas.

- Para evitar una posible descarga eléctrica, antes de instalar su lámpara, desconecte la energía apagando los interruptores automáticos (breakers) que alimentan la caja de salida asociada con la ubicación del interruptor de pared.
- La lámpara se debe conectar a tierra. Si el alambre de conexión a tierra no está presente en el sitio de la instalación, DETENGA inmediatamente la instalación y consulte con un electricista calificado.
- Todo el cableado debe realizarse de acuerdo con los códigos eléctricos locales y nacionales ANSI/NFPA 70. Si no está familiarizado con el cableado, o si tiene duda, consulte a un electricista calificado.

## Garantía

Hunter Fan Company otorga esta garantía limitada al comprador original de este producto de iluminación de Hunter. Puede encontrar este documento en [www.HunterFan.com](http://www.HunterFan.com). ¡Gracias por elegir Hunter!

### ¿Cómo puede obtenerse un servicio cubierto en la garantía?

Se requiere una prueba de su compra al solicitar un servicio de garantía. El comprador original debe presentar un recibo de compra u otro documento que compruebe su compra. Hunter, a su arbitrio, puede aceptar un recibo de regalo. Para obtener servicio, póngase en contacto con Hunter Fan Company por internet o por teléfono. [www.HunterFan.com/Support/Contact-Us/](http://www.HunterFan.com/Support/Contact-Us/) 1.888.830.1326

Por favor no envíe a Hunter su lámpara ni ninguna pieza de iluminación. Le entrega será rechazada.

### ¿Qué es lo que cubre esta garantía?

Garantía limitada de 1 año

Si cualquier pieza de su producto de iluminación de Hunter falla en cualquier momento durante el primer año desde la fecha de compra, debido a un defecto en los materiales o la mano de obra, conforme Hunter lo determine a su arbitrio, Hunter le proporcionará un reemplazo de la pieza del producto sin cargo para usted. Si no le podemos proporcionar un producto o pieza de reemplazo para su producto de iluminación, le proporcionaremos un producto o pieza de reemplazo comparable o superior, conforme el arbitrio de Hunter.

### ¿Qué es lo que NO cubre esta garantía?

La mano de obra está excluida. Esta garantía no cubre ningún costo u honorarios asociados con la mano de obra (incluyendo los honorarios del electricista) requeridos para instalar, retirar o reemplazar un producto de iluminación o cualquier pieza del mismo.

No hay garantía para los focos (bombillas), las baterías del control remoto; los productos de iluminación comprados o instalados fuera de los Estados Unidos; los productos de iluminación propiedad de otra persona distinta al comprador original; los productos de iluminación cuyo comprobante de compra no haya sido presentado; los productos de iluminación comprados en un distribuidor no autorizado; el desgaste por uso normal; imperfecciones cosméticas menores; los productos de iluminación remanufacturados; y aquellos productos de iluminación que hayan sido dañados debido a cualquiera de las siguientes causas: instalación inapropiada, mal uso, abuso, falta de cuidado, no seguir las instrucciones de Hunter, daño accidental ocasionado por el propietario o personas relacionadas, modificaciones al producto de iluminación, mantenimiento o reparación realizados inadecuada o incorrectamente, suministro de voltaje incorrecto o sobrecargas de energía, uso de partes o accesorios inapropiados, no dar mantenimiento al producto de iluminación, o desastres naturales (ej. inundación).

LOS REMEDIOS ÚNICOS Y EXCLUSIVOS DEL COMPRADOR ORIGINAL PARA RECLAMOS DE CUALQUIER CLASE CON RESPECTO A ESTE PRODUCTO DEBEN SER LOS ESTABLECIDOS EN ESTE DOCUMENTO. HUNTER FAN COMPANY NO ES RESPONSABLE POR DAÑOS EMERGENTES O INCIDENTALES, DEBIDO A LA FALLA DEL PRODUCTO, YA SEA QUE SURJA DE UNA INFRACCIÓN A LA GARANTÍA, UNA INFRACCIÓN DEL CONTRATO O POR CUALQUIER OTRA CAUSA. Algunos estados no permiten la exclusión ni limitación de daños incidentales ni emergentes, así que las limitaciones o exclusiones anteriores pueden no aplicarse a usted.

CUALQUIER GARANTÍA IMPLÍCITA DE COMERCIABILIDAD O IDONEIDAD PARA UN PROPÓSITO EN PARTICULAR APLICABLE A ESTE PRODUCTO ESTÁ LIMITADA POR LA DURACIÓN DEL PERIODO DE COBERTURA DE LAS GARANTÍAS LIMITADAS APLICABLES ESTABLECIDAS ANTERIORMENTE. Algunos estados no permiten limitaciones sobre la duración de una garantía implícita, de modo que la limitación antes mencionada puede no aplicarse a usted.

### ¿Cómo afecta la ley estatal a la cobertura de la garantía?

Esta garantía le da derechos legales específicos. También usted puede tener otros derechos que varían de un estado a otro.

## Pasos Iniciales

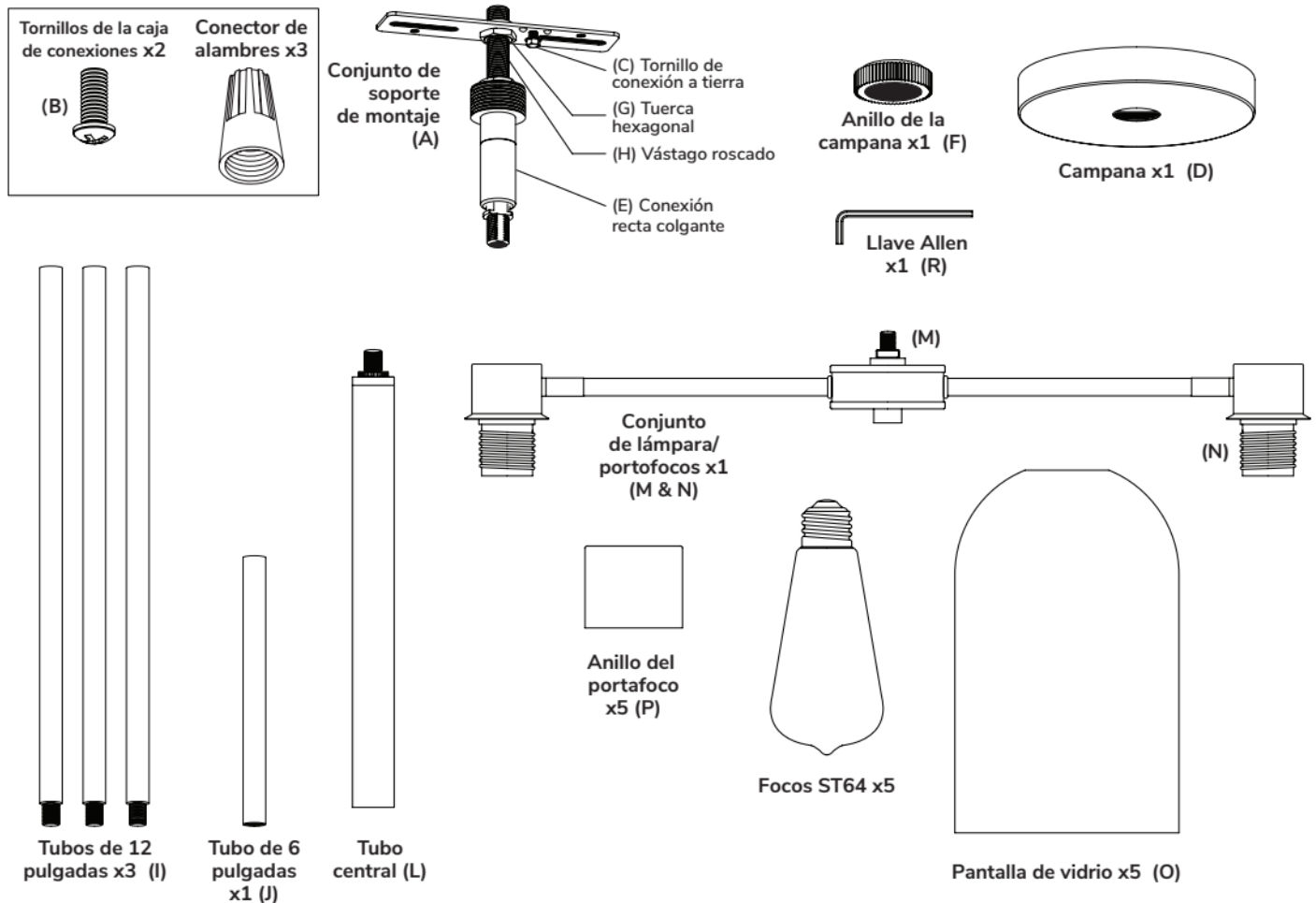
Lea todas las instrucciones antes de ensamblaje.

### Desembalaje

- Saque cuidadosamente todo el contenido de la caja y colóquelo sobre una superficie limpia, blanda y no abrasiva (alfombra o cartón) para evitar dañar el producto.
- Antes de desechar la caja, vuelva a revisar el embalaje (empaquete) para verificar que todas las piezas estén incluidas. Compare con la tabla mostrada abajo para verificar las piezas incluidas. Inspeccione cada pieza en busca de defectos que pudieran haber ocurrido durante el envío.
- Guarde su recibo y estas instrucciones como comprobante de compra.
- Desconecte la energía mediante el interruptor automático (breaker) y remueva completamente la lámpara vieja del techo, incluyendo el soporte de montaje viejo.
- Si no hay alambre de conexión a tierra procedente de la caja de conexiones, comuníquese con un electricista calificado.

### ¿Qué está Incluido?

Nota: Elementos incluidos no mostrados a escala.



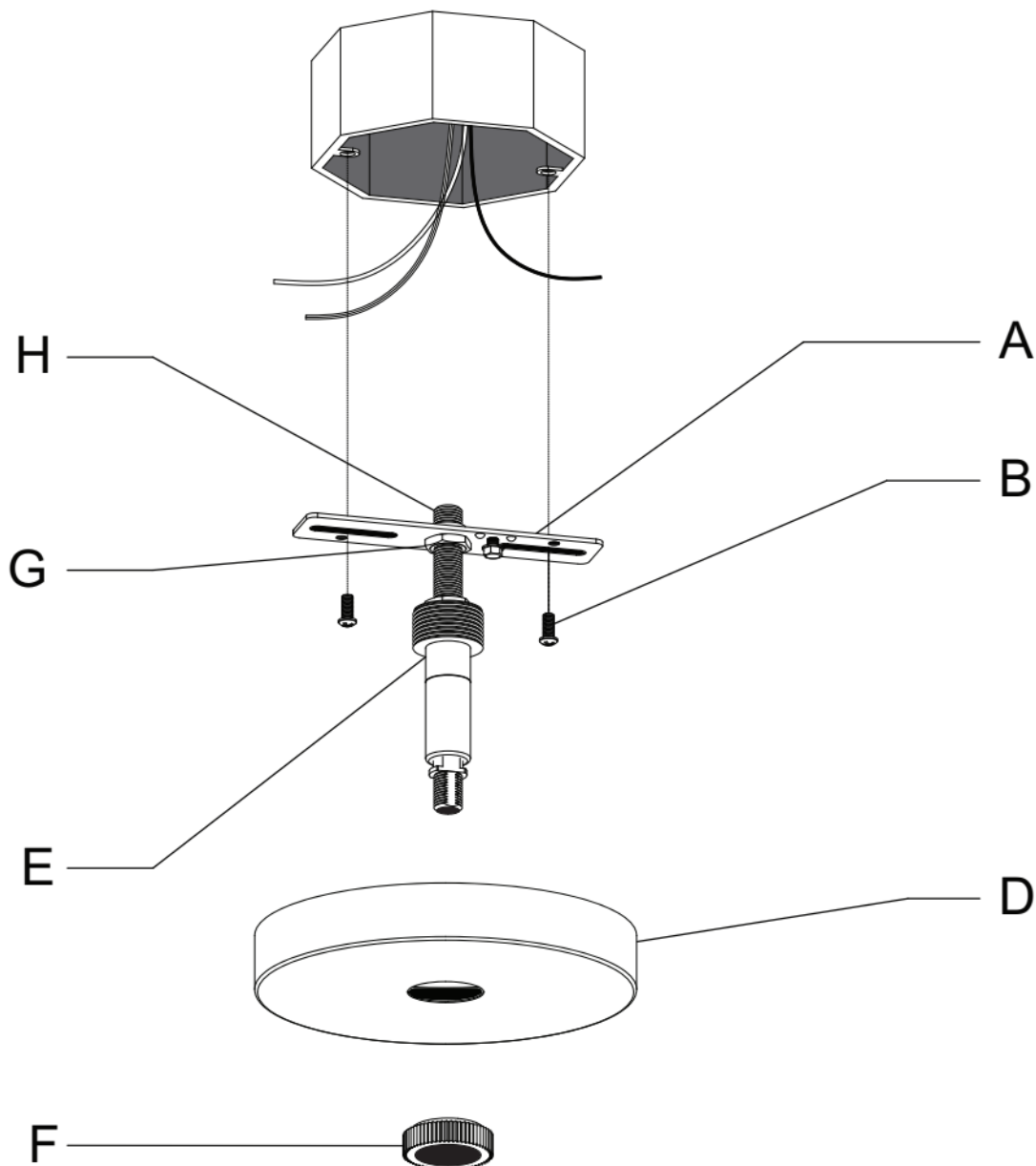
### Herramientas Necesarias

Estas son las herramientas que necesitará para realizar la instalación (no incluidas):



## Preparación para la Instalación

- 1.** Desconecte la energía mediante el interruptor automático (breaker) y remueva completamente la lámpara vieja del techo, incluyendo el soporte de montaje viejo. Si no hay alambre de conexión a tierra procedente de la caja de conexiones, comuníquese con un electricista calificado.
- 2.** Remueva el anillo (F) preensamblado de la campana fuera del conjunto de soporte de montaje (A).
- 3.** Sujete firmemente el conjunto de soporte de montaje (A) a la caja de conexiones apretando los tornillos de montaje (B) dentro de los orificios designados.
- 4.** Sujete temporalmente la campana (D) a la conexión recta colgante (E) ubicada en el conjunto de soporte de montaje (A), asegurándola con el anillo (F) de la campana.
- 5.** Si la campana no queda ajustada (ceñida) contra el techo, remuévala fuera del conjunto de soporte de montaje (A) y ajuste la longitud del vástago roscado preensamblado (H) aflojando la tuerca hexagonal preensamblada (G).
- 6.** Atornille el vástago roscado (H) hacia adentro o hacia afuera del soporte de montaje hasta lograr la longitud correcta, probando con la campana según sea necesario.
- 7.** Remueva la campana y apriete la tuerca hexagonal (G) para asegurar la posición del vástago roscado (H).
- 8.** Remueva el conjunto de soporte de montaje (A) fuera de la caja de conexiones y colóquelo aparte para utilizarlo más adelante.



## Ensamblaje de la Lámpara

Esta lámpara se suministra con un conjunto de 4 tubos. Hay una sección de 6 pulgadas (J) y tres secciones de 12 pulgadas (I). Se debe utilizar un mínimo de un tubo.

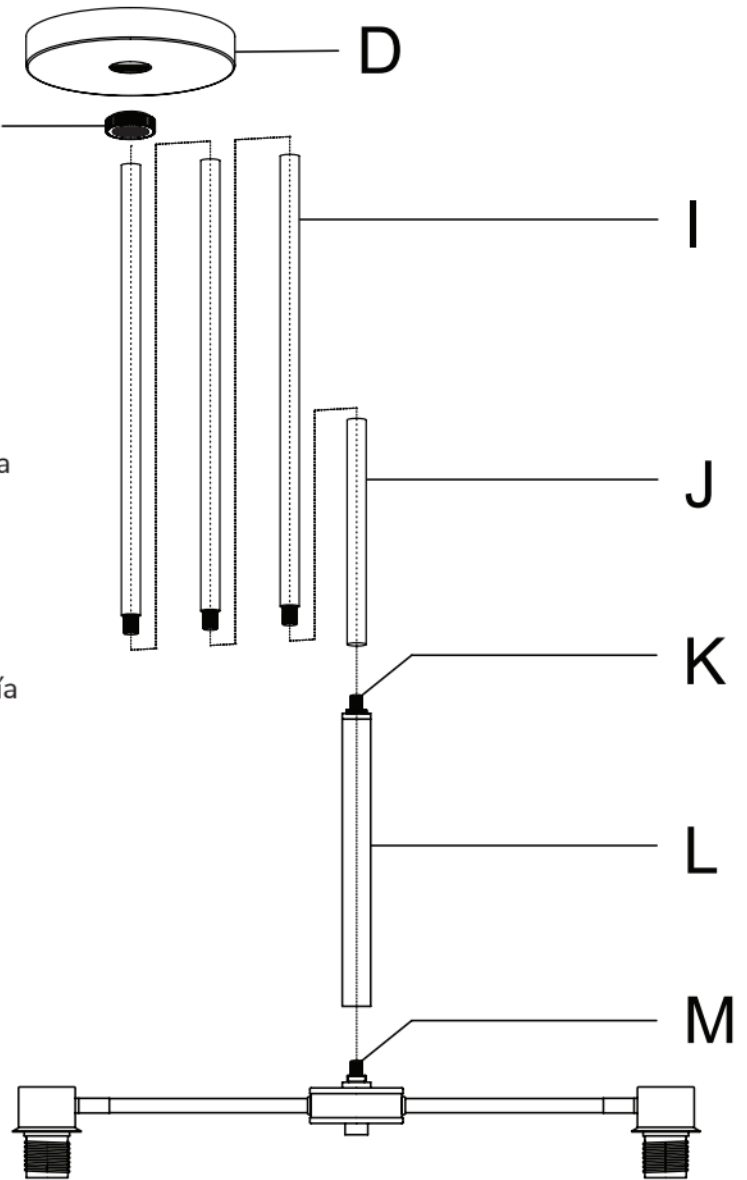
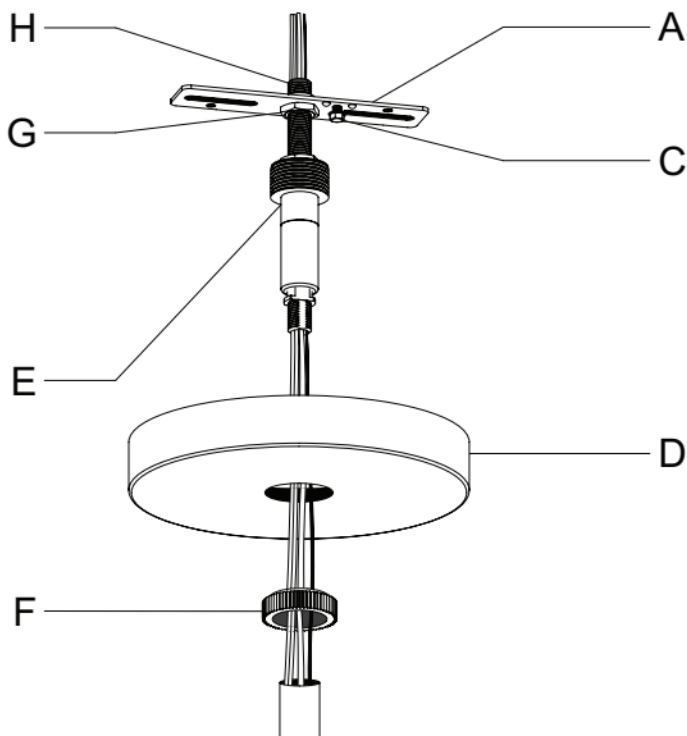
- 1.** Determine la altura deseada de la lámpara y coloque aparte la cantidad correcta de secciones de tubo para lograr esa altura. Es posible que sea necesario remover el vástago roscado fuera de la sección de tubo que se sujetará a la lámpara.
- 2.** Pase los alambres a través del tubo central grande (L) y atorníllelo a las roscas (M) en la parte superior de la lámpara.
- 3.** Pase los alambres a través de las secciones de tubo uno a la vez, elimine cualquier holgura, y luego atornille los tubos para unirlos. Verifique que todas las roscas estén acopladas, pero evite apretarlas demasiado; podría ser necesario enderezar manualmente las secciones de tubo.



### Consejo de Hunter Pro:

Enrosque o sujete con cinta los extremos de los cables para unirlos, para que sea más fácil pasarlos a través de los tubos de soporte. También puede retirar el vástago roscado para facilitar el acceso del cable.

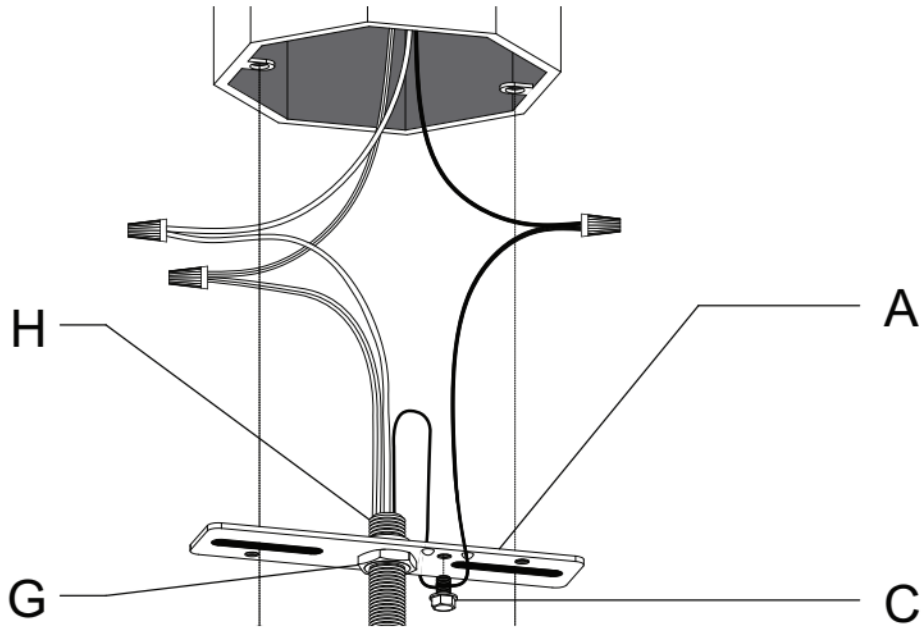
- 4.** Conecte el tubo inferior al vástago roscado (K) en la parte superior del tubo central (L) de la lámpara.
- 5.** Deslice cuidadosamente el anillo (F) de la campana y la campana (D) sobre los tubos hasta que se apoyen sobre la parte superior de la lámpara.



- 6.** Pase los alambres a través del conjunto de soporte de montaje (A) y sujete el tubo superior a la conexión recta colgante (E). Recorte el exceso de alambres de la lámpara dejando un mínimo de 6 pulgadas (15 cm) por encima del conjunto de soporte de montaje.

## Cableado de la Lámpara

**1.** Solicite a un ayudante que soporte el peso de la lámpara. Enrolle el alambre de cobre desnudo de conexión a tierra de la lámpara alrededor del tornillo verde de conexión a tierra (C) ubicado en el conjunto de soporte de montaje (A) y apriete el tornillo de conexión a tierra.



**2.** Conecte el alambre de conexión a tierra de la lámpara al alambre de conexión a tierra (color verde o desnudo o color verde y amarillo) de la casa utilizando un conector de alambres. Verifique que todos los extremos de los alambres sean retorcidos (entrelazados) entre sí para unirlos y luego asegúrelos con un conector de alambres, asegurándose de que la dirección de retorcido sea la misma. Proporcione un tirón suave al conector de alambres para confirmar su conexión segura.

**3.** Conecte el alambre negro o liso de la lámpara al alambre negro o rojo o azul de la casa utilizando un conector de alambres. Consulte el método de conexión de alambres en el paso 2.

**4.** Conecte el alambre blanco o acanalado (estriado) de la lámpara al alambre blanco de la casa utilizando un conector de alambres. Consulte el método de conexión de alambres en el paso 2.

### Consejo de Hunter Pro:

Si se recortaron los alambres de la lámpara, es posible que usted deba separar los lados liso y acanalado aproximadamente 3 pulgadas (8 cm) desde los extremos. Utilice pelacables (no incluido) para quitar el aislamiento de la última media pulgada (1 cm) de cada alambre.

### Alambres de la Lámpara

NEGRO (o Liso)

BLANCO  
(o Acanalado)

COBRE DESNUDO  
(o Verde)

### Alambres la Casa

NEGRO o ROJO  
o AZUL (vivo)

BLANCO (neutro)

VERDE o COBRE DESNUDO  
or VERDE/AMARILLO  
(puesta a tierra)

## Instalación de la Lámpara

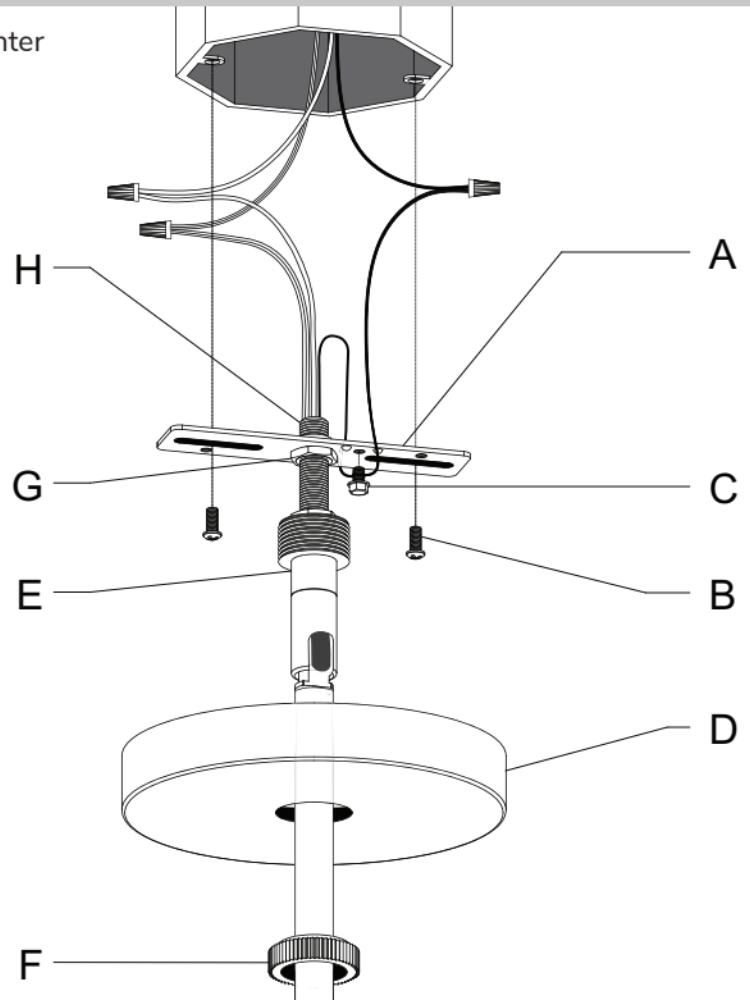
¿Techo inclinado? Vea la sugerencia profesional de Hunter a continuación para obtener más detalles.

**1.** Sujete firmemente el conjunto de soporte de montaje (A) a la caja de conexiones apretando los tornillos de montaje (B) dentro de los orificios designados.

**2.** Deslice cuidadosamente la campana (D) y el anillo (F) de la campana hasta el techo y atornille apretadamente el anillo (F) de la campana sobre las roscas de la conexión recta colgante (E).

### Consejo de Hunter Pro:

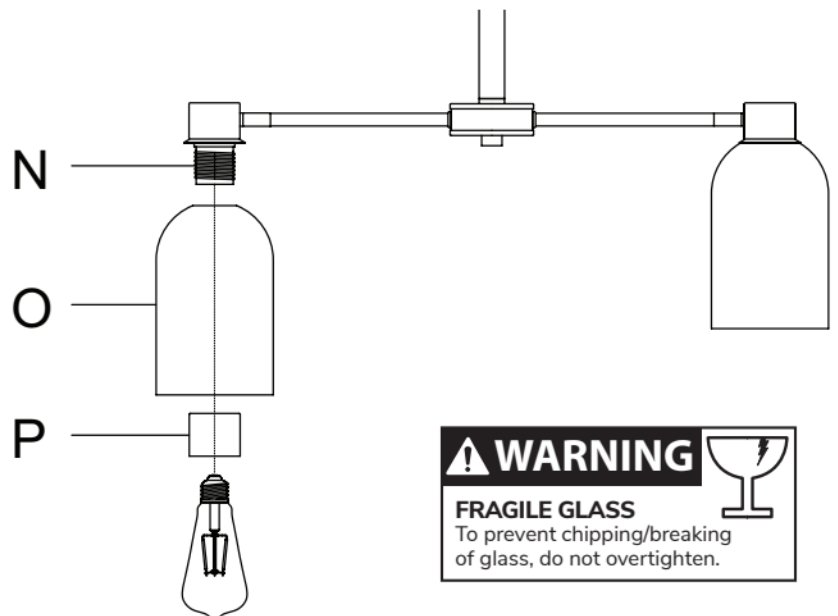
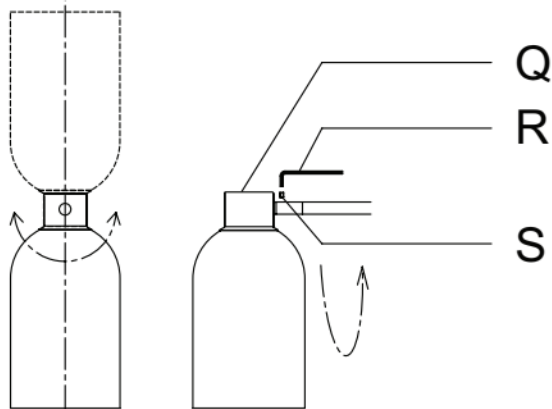
Al instalar en un techo inclinado, verifique que el lado con ranuras de la conexión recta colgante (E) quede dirigido en dirección opuesta a la cima del techo; gire para colocar en su sitio si es necesario. Después de asegurar la lámpara a la caja de conexiones, agarre firmemente los tubos con ambas manos y jale suavemente hacia la ranura hasta que la lámpara alcance el ángulo deseado.



## Toques Finales

**1.** Levante cuidadosamente (para evitar daños) cada pantalla de vidrio (O) sobre el portofoco (N) y asegure la pantalla de vidrio enroscando el anillo (P) del portofoco sobre las roscas externas del portofoco (N). Para evitar desportillar/romper la pantalla de vidrio, no apriete demasiado el anillo (P) del portafoco.

**2.** Ahora su instalación está finalizada. Instale los focos (bombillas) incluidos, encienda la energía en el interruptor automático (breaker) y pruebe la lámpara.



Para ajustar la dirección de los portafocos, vea los pasos a continuación.

**1.** Utilizando la llave Allen (R) incluida, afloje el tornillo de fijación (S) en el lado superior del brazo de la lámpara justo detrás del portafoco (Q).

**2.** Gire el portafoco (Q) en el extremo del brazo y apriete el tornillo de fijación (S) utilizando la llave Allen (R).

## Limpeza y cuidados de la lámpara

¡Manipule con cuidado la lámpara! La limpieza periódica minimiza la necesidad de una limpieza profunda. Para la limpieza periódica, apague la lámpara y limpie la lámpara utilizando un trapo limpio de microfibra o de algodón sin pelusas. Evite rociar limpiador directamente sobre la lámpara.

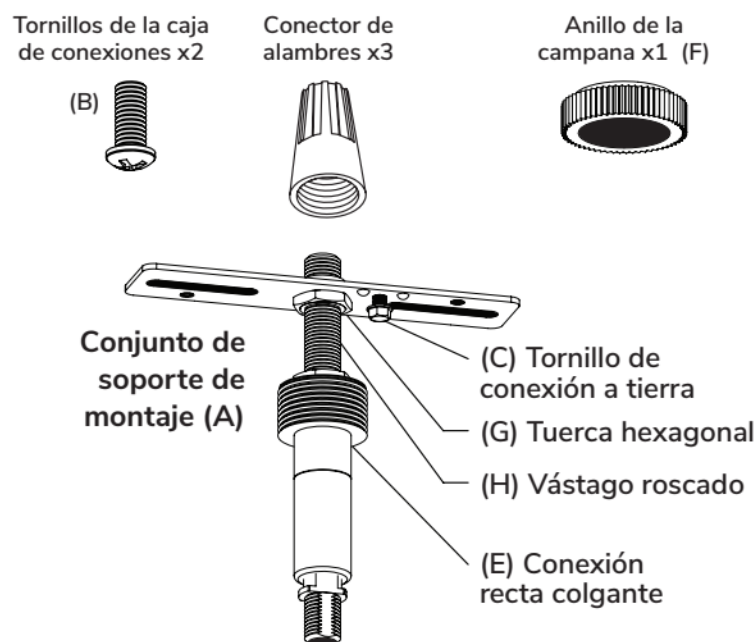
## Localización de fallas

Problema	Causa posible	Solución
El(los) foco(s) no se enciende(n).	El foco está quemado.	Reemplace el foco (bombilla).
	La energía está apagada.	Verifique que la fuente de energía esté encendida.
	Hay un interruptor defectuoso.	Pruebe o reemplace el interruptor.
	Hay una conexión de alambres defectuosa.	Verifique el cableado (conexión de alambres).
El fusible se funde o el interruptor automático (breaker) se dispara cuando se enciende la lámpara.	Hay alambres cruzados, o el alambre de energía se está conectando a tierra.	<p>Interrumpa el uso de la lámpara.</p> <p>Verifique las conexiones de alambres.</p> <p>Comuníquese con un electricista calificado o llame al Grupo de Servicio de Atención al Cliente al 1.888.830.1326.</p>

## Partes de Repuesto

¿Falta algo o está roto (dañado)? Por favor comuníquese con Servicio al Cliente de Hunter Fan Company.

1.888.830.1326 Lunes a Viernes 8 a.m. a 6 p.m. Hora Estándar Central, Sábado 11 a.m. a 5 p.m., Hora Estándar Central



Kit De Mantenimiento Del Equipo		
Pieza #	Modelo	Finish
KC02902895	49081	Negro Mate
KC02901214	49080	Níquel Pulido
KC02901L79	49082	Alturas Gold

### Domo De Vidrio

Pieza #	Modelo	Tipo
KG24701147	49080	Vidrio Transparente
	49081	
	49082	